

General Catalogue



Rack and technology





Alutron S.r.l. reserves the right to make technical modifications and updates to its products. Variations, print errors, or misunderstandings do not entitle you to compensation for any damages. Reference is made to our "Terms of Sale and Delivery"

Alutron's mission is to achieve the absolute satisfaction of our customer's increasing needs, by delivering the highest quality products and solutions, using certified materials, state-of-the-art technologies and highly qualified manpower. Focusing on the continuous improvement of its processes, products and services and ensuring a high level of reactivity and flexibility, Alutron's management team has introduced an ISO and IRIS compliant Quality System and is committed to its implementation and its continuous improvement.



Alutron is a company specialized in the design and manufacture of advanced electronics solutions such as 19" racks, cabinets and subracks for hardware devices and other enclosures for various applications in a variety of sectors: railways, industrial automation, telecommunications, networking, electro-medical, marine, defence, energy and nuclear.

T101-14/01

ZERTIFIKAT ◆ CERTIFICATE ◆ 認證證書 ◆ CERTIFICADO ◆ CERTIFICATO ◆ CERTIFICAT



CERTIFICATO

Nr. 50 100 13021 - Rev.001

Si attesta che / This is to certify that

IL SISTEMA QUALITÀ DI
THE QUALITY SYSTEM OF

ALUTRON S.r.l.

SEDE LEGALE:
REGISTERED OFFICE:

**CORSO VERCELLI 13
IT - 10078 VENARIA REALE (TO)**

SEDE OPERATIVA:
OPERATIONAL SITE:

**VIA DEI PRATI 32
IT - 10044 PIANEZZA (TO)**

È CONFORME AI REQUISITI DELLA NORMA
HAS BEEN FOUND TO COMPLY WITH THE REQUIREMENTS OF

UNI EN ISO 9001:2015

QUESTO CERTIFICATO È VALIDO PER IL SEGUENTE CAMPO DI APPLICAZIONE
THIS CERTIFICATE IS VALID FOR THE FOLLOWING SCOPE

**Progettazione e fabbricazione di meccanica modulare
per l'elettronica industriale (IAF 17)**

**Design and manufacture of mechanical modular
for industrial electronics (IAF 17)**



SGQ N° 049A

Membro degli Accordi di Mutuo Riconoscimento
EA, IAF e ILAC
Signatory of EA, IAF and ILAC Mutual
Recognition Agreements

Per l'Organismo di Certificazione
For the Certification Body
TÜV Italia S.r.l.

Validità / Validity

Dal / From: **2018-05-14**

Al / To: **2021-05-13**

Andrea Coscia
Andrea Coscia
Direttore Divisione Business Assurance

Data emissione / Printing Date

2018-04-16

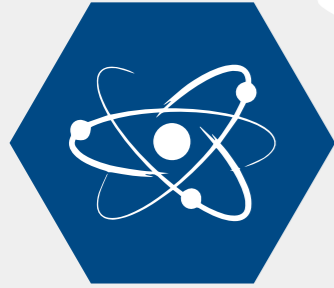
PRIMA CERTIFICAZIONE / FIRST CERTIFICATION: 2015-05-14

"LA VALIDITÀ DEL PRESENTE CERTIFICATO È SUBORDINATA A SORVEGLIANZA PERIODICA A 12 MESI E AL RIESAME COMPLETO DEL SISTEMA DI GESTIONE AZIENDALE CON PERIODICITÀ TRIENNALE"

"THE VALIDITY OF THE PRESENT CERTIFICATE DEPENDS ON THE ANNUAL SURVEILLANCE EVERY 12 MONTHS AND ON THE COMPLETE REVIEW OF COMPANY'S MANAGEMENT SYSTEM AFTER THREE-YEARS"

FIELDS OF APPLICATION

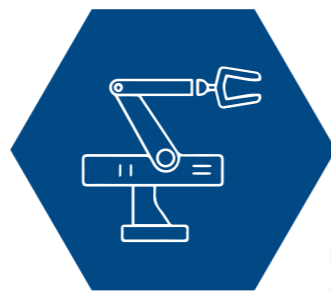
NUCLEAR



RAILWAY



AUTOMATION/
ROBOTICS



DEFENCE



TELECOMMUNICATION/
BROADCASTING



AERO - NAVAL



ELECTRO MEDICAL



NETWORKING



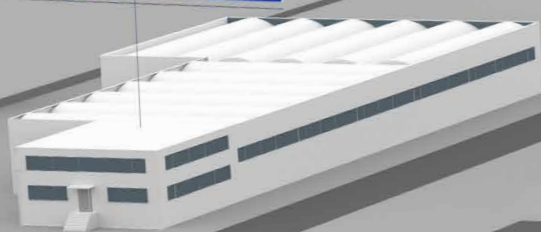
With over 40 years of experience in 19" modular mechanics, **Alutron** is able to meet any customer's need and configuration in term of physical enclosure and protection of hardware equipment. In addition to its wide range of standard mechanical components, the company designs and produces customized solutions to meet specific requirements.

Alutron's cabinets, 19" racks and sub-racks are manufactured according to the highest quality standards: a great attention to the project's details and the design of every single component is combined with absolute precision in the manufacturing process (from cutting to moulding, from electro-erosion to bending, until final assembly and finishing). All this is the guarantee of **reliability and functionality** of every Alutron product designed to host and protect complex electronics devices such as embedded systems.

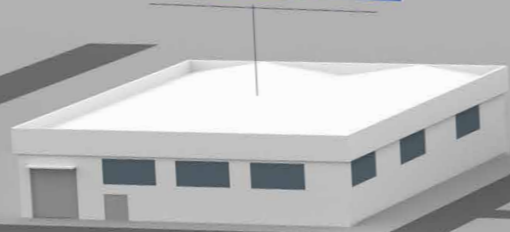
Aluminium with **conductive surface treatment, natural anodized aluminium**, painted steel and Magnelis®: these are the main materials utilized by Alutron to manufacture its cabinets, racks, sub-racks and enclosures for the protection of the electronic boards and their components.

The company's R & D team is always available to advise on the best technology and design to meet any customer requirements

The MKr Group and the individual companies have a significant presence in the market and represent the expression of a far-sighted business vision of a management team with a high reputation in the specific industry. The market has been wisely approached focusing on product innovation and supply chain optimization, thanks to the expertise and know-how of its skilled workforce that is recognized and appreciated by both customers and suppliers.



PIANEZZA



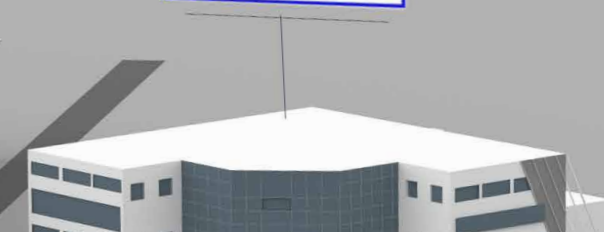
SCALENGHE



DRUENTO



TORINO



LA BÂTIE NEUVE (FR)

PROCESSES

CONCEPT

Upon customer request, Alutron designs and manufactures customized special products such as: cabinets and containers for specific industrial applications, lightweight or heavy-duty enclosures, cabinets for suspended applications, wall mounted enclosures, covers and closing front panels, plug-in drawers.

DESIGN AND TECHNICAL CUSTOMER SUPPORT

PROTOTYPING

QUALITY CONTROL

TEST

MANUFACTURING

DELIVERY

AFTERSALES CUSTOMER SUPPORT

Alutron offers its customers various comprehensive product lines:

- 1) **Alurack**, 19" rack cabinets built complying to IEC 60297 - DIN 41494 specifications.
- 2) **Compact Racks**, 19" compact rack containers.
- 3) **Simple Rack**, 19" compact and lightweight rack containers.
- 4) **Lab Rack**, 19" rack frames with or without base for mobile or stationary free-standing or wall applications in test laboratories
- 5) **Subrack Executive**, subracks for Eurocard 3U x 160/220, 6U x 160/220 cards and various sizes, consisting of side panels and aluminium single-hole profiles.
- 6) **Subrack Rail**, subracks for Eurocard 3U x 160/220, 6U x 160/220 cards and various sizes, consisting of side panels and aluminium double-hole profiles.
- 7) **Rail Plus**, subracks for Eurocard 3U x 160/220, 6U x 160/220 cards and various sizes, consisting of side panels and aluminium double-hole profiles.
- 8) **Instrument**, table mounted subracks.
- 9) **Subunit**, modular partial drawers for boards and power supply protection.
- 10) **Front Panels**, a complete line of front panels and accessories for subracks' enclosing and shielding.

All product lines include standard products that, upon request, could be customized by the company's technical team with specific dedicated solutions.

Any Alutron's cabinet, container, rack or subrack, is designed to guarantee maximum functionality, ease of utilization and long-lasting durability. Each structural component is made with high quality materials and is designed with great attention to every detail. Any component subject to stress or wear is studied and tested to grant the required durability level.

PROCESSING

CUTTING

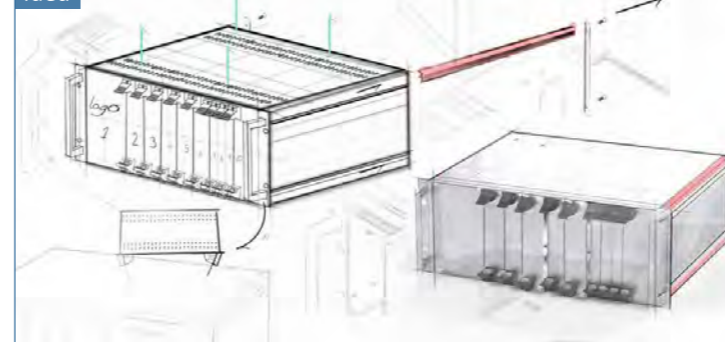
PRINTING

FOLDING

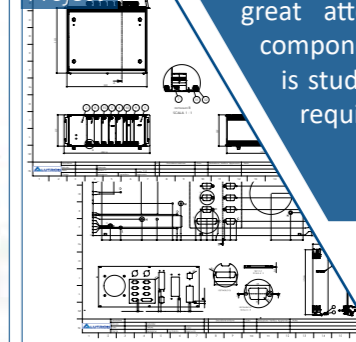
EDM

ASSEMBLY

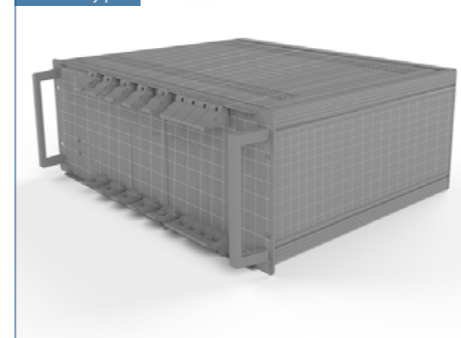
Idea



Project



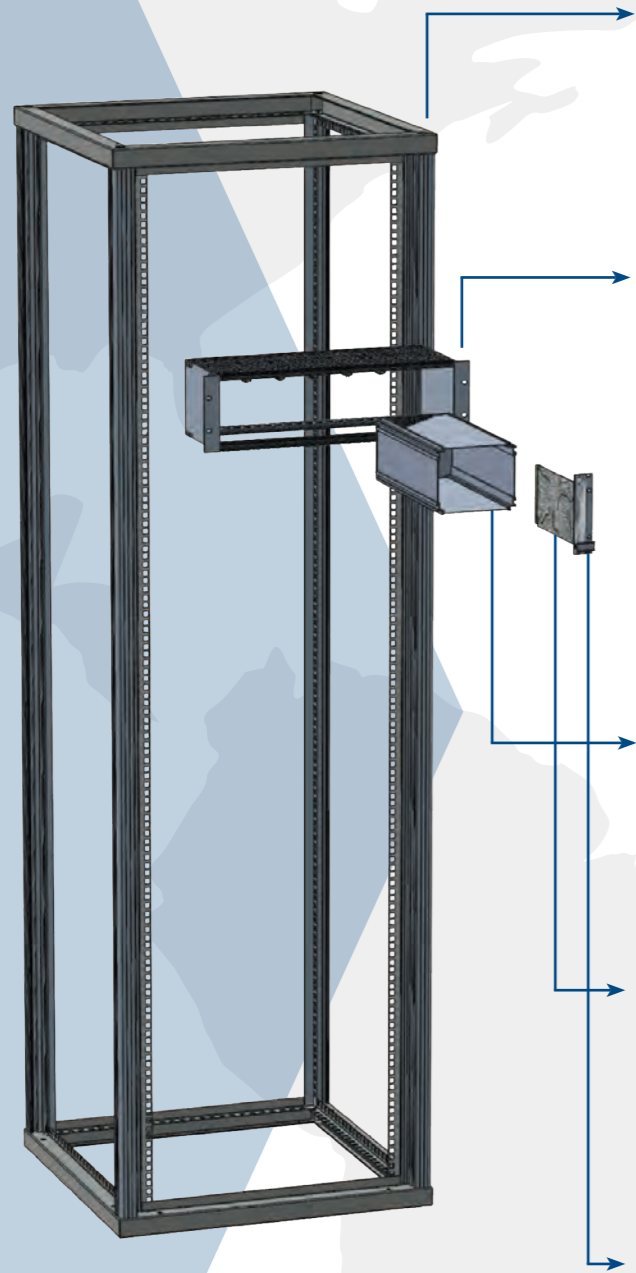
Prototype



Production



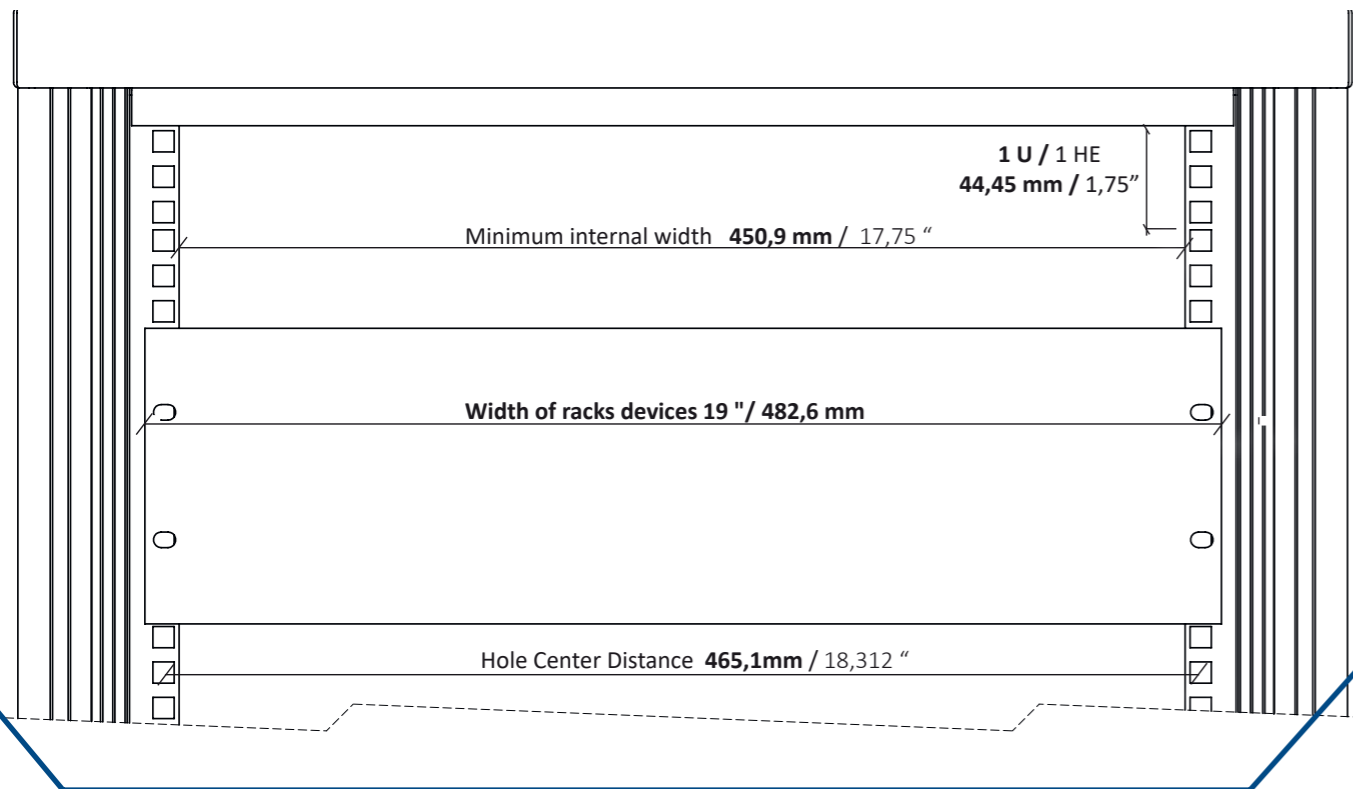
PRODUCTS DESIGN



Product	19" System
Rack 19"	IEC 60297-3-100
Subrack 19"	IEC 60297-3-100 IEC 60297-3-101 IEC 60297-3-102 IEC 60297-3-103 IEC 60297-3-104 IEEE 1101.1 IEEE 1101.10 IEEE 1101.11
Boxes 19"	IEC 60297-3-105
Subunits	IEC 60297-3-101 IEC 60297-3-102 IEC 60297-3-103 IEC 60297-3-104 IEEE 1101.1 IEEE 1101.10 IEEE 1101.11
Boards	IEC 60297-3-101 IEC 60297-3-104 IEEE 1101.1
Connectors	IEC 60603-2
Front panel	DIN 41494 part 8
Motherboards	IEC 60297-3-101 IEC 60297-3-104 IEEE 1101.1 IEEE 1101.11

Standards	Description
DIN 41494	Size 482,6 mm
IEC 297-1	Size 482,6 mm Part 1: Fron Panel and Racks
IEC 297-2	Size 482,6 mm Part 2: Front Panel and Racks
IEC 297-3	Size 482,6 mm Part 3: Subracks and modules
IEC 297-4	Size 482,6 mm Part 4: Subracks and modules - additional sizes
IEEE 1101.10	Additional mechanical specifications for microcomptures using the IEEE 1101.1-1991 standard
IEEE 1101.11	Plug-in rear unit for microcomptures using the IEEE 1101.1-1991 and IEEE 1101.10 standard
DIN 43356	Metric construction dimension, Multi 25 mm module
DIN 43700	Dimensions of the instrument boxes and cut-outs dimensions in the control panels
DIN EN 50155	Railway electric equipment for rail vehicles
DIN EN 60917-2	Dimension Coordinating Interface for Metric construction
DIN EN 60917-2-2	Dimensions for modules, plug-in units, rear panels, front panels and plug-in modules
DIN 41612	Plug-in connectors for printed circuit boards, 2.54 mm raster size
DIN 41617	Plug-in connectors for printed circuit boards, 2.54 mm raster size
DIN 40050 DIN EN 60529 IEC 529	Degrees of protection against shocks, foreign bodies and water for electrical equipment
UL 94	Combustibility and flammability of plastics UL94 HB: Vertical combustion test UL94 V-2, UL94 V-1, UL94 V-0: Vertical combustion test
DIN VDE 0100 Parte 410	Protection against electric shocks
DIN VDE 0100 Parte 540	Ground conductor, grounding
DIN EN 55022	Limit values and measurement procedures for interference from Information Technology equipment
DIN EN 60950	Security of Information Technology equipment
VG 95373 Part 15	Guidelines on shielding and attenuation measures

19" SYSTEM



The term rack indicates a standard component installation system, consisting of a modular structure based on the rack unit that is 19 inches (482.6 mm) wide and 1.75 inches (44.45 mm) high.

The rack unit measurement definition is based on standard specifications for EIA-310 racks, resumed and defined by IEC 60297.

A rack unit, often abbreviated U (Unit) or HE (Height Element), is a unit of measure used to indicate the height of the components installed in a 19-inch rack. A rack unit corresponds to 1.75 inches (44.45 mm).

The width of a device inserted into the 19" rack, called subrack, is divided in TE (1/5 inch - 5.08 mm), a standard drawer mounted on a 19" rack presents 84 utilizable TE.





SUMMARY

PG. 16	ALURACK
PG. 86	COMPACT RACK
PG. 116	SIMPLE RACK
PG. 128	LAB RACK
PG. 140	SUBRACK EXECUTIVE
PG. 172	SUBRACK RAIL
PG. 196	SUBRACK RAIL PLUS
PG. 218	INSTRUMENT SERIE
PG. 252	SUBUNIT
PG. 278	FRONT PANEL



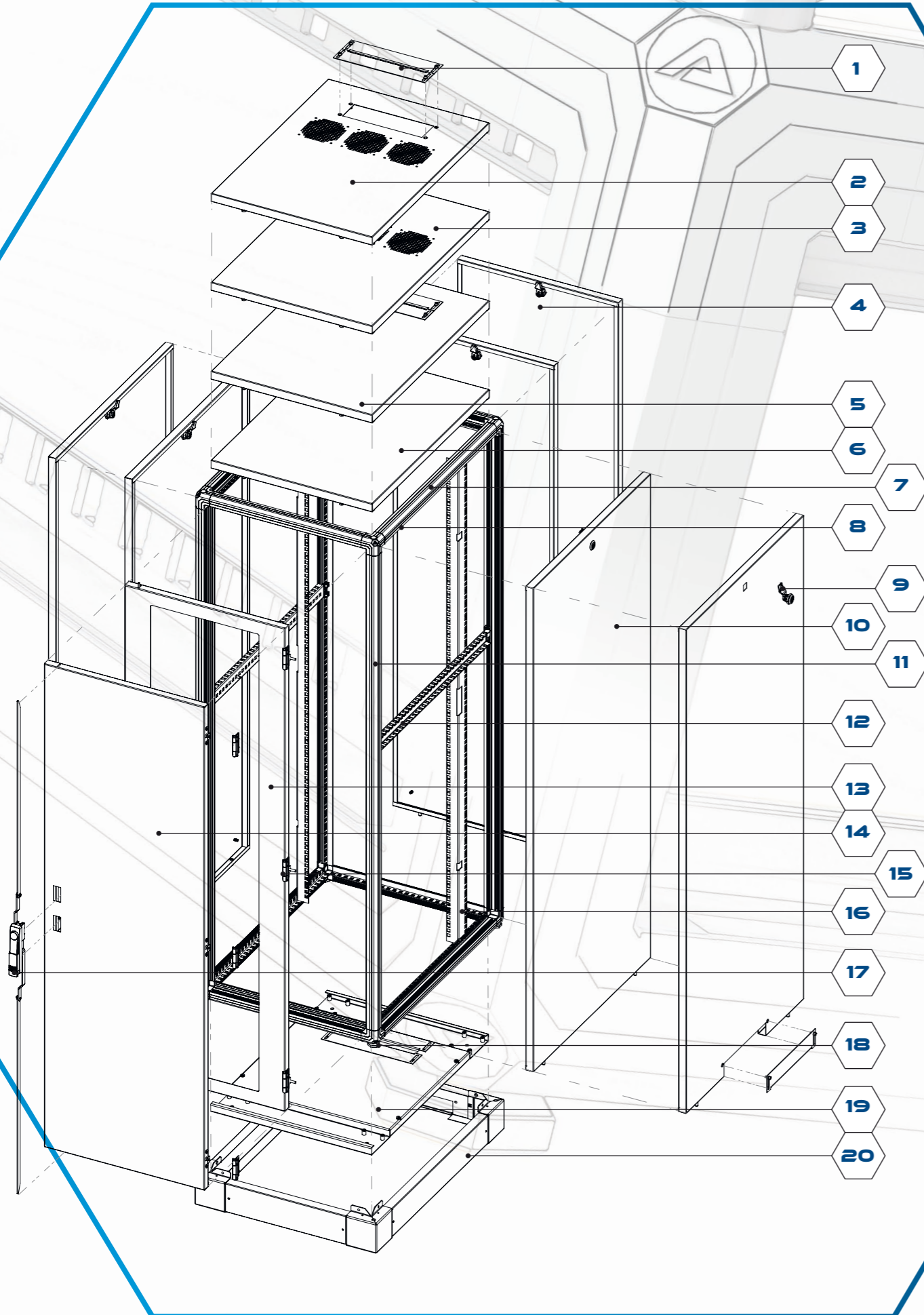
Our 19" cabinets are built according to IEC 60297 - DIN 41494 specifications.

The Frame is made of painted extruded aluminium profiles assembled between them with IP54 protection degree.

Load capacity up-to 1,000 Kg - modularity -availability of a wide range of accessories.

These features allow great versatility and a huge variety of applications in high technology sectors such as: railways, industrial automation, telecommunications, networking, electro-medical, marine, defence and nuclear.





- | | | |
|----|---|--------|
| 1 | Cable entry gland plate | PG. 79 |
| 2 | Top panel with cable entry gland plate predisposed for fan installation | PG. 41 |
| 3 | Top panels predisposed for fan installation | PG. 40 |
| 4 | Rear panels with cable ducting | PG. 38 |
| 5 | Top panel with cable entry gland plate | PG. 40 |
| 6 | Blank top panels | PG. 40 |
| 7 | Horizontal main profiles | PG. 82 |
| 8 | Frames | PG. 20 |
| 9 | Loks for panels | PG. 80 |
| 10 | Panels | PG. 39 |
| 11 | Vertical main profiles | PG. 81 |
| 12 | Support guides | PG. 62 |
| 13 | Glazed doors | PG. 37 |
| 14 | Blank doors | PG. 37 |
| 15 | Hinge | PG. 79 |
| 16 | Couple of 19" rails | PG. 50 |
| 17 | Rod latch lock | PG. 80 |
| 18 | Adjustable foot | PG. 65 |
| 19 | Base plates | PG. 58 |
| 20 | Base | PG. 60 |

Our frames are made of painted extruded aluminium profiles, assembled together with fixing pins and finished in the joints with eight plastic joint caps of the same colour. As indicated here below, different colour and finishes are available, while the side table shows the various sizes available as width (550, 600 and 800 mm) as well as the various heights.

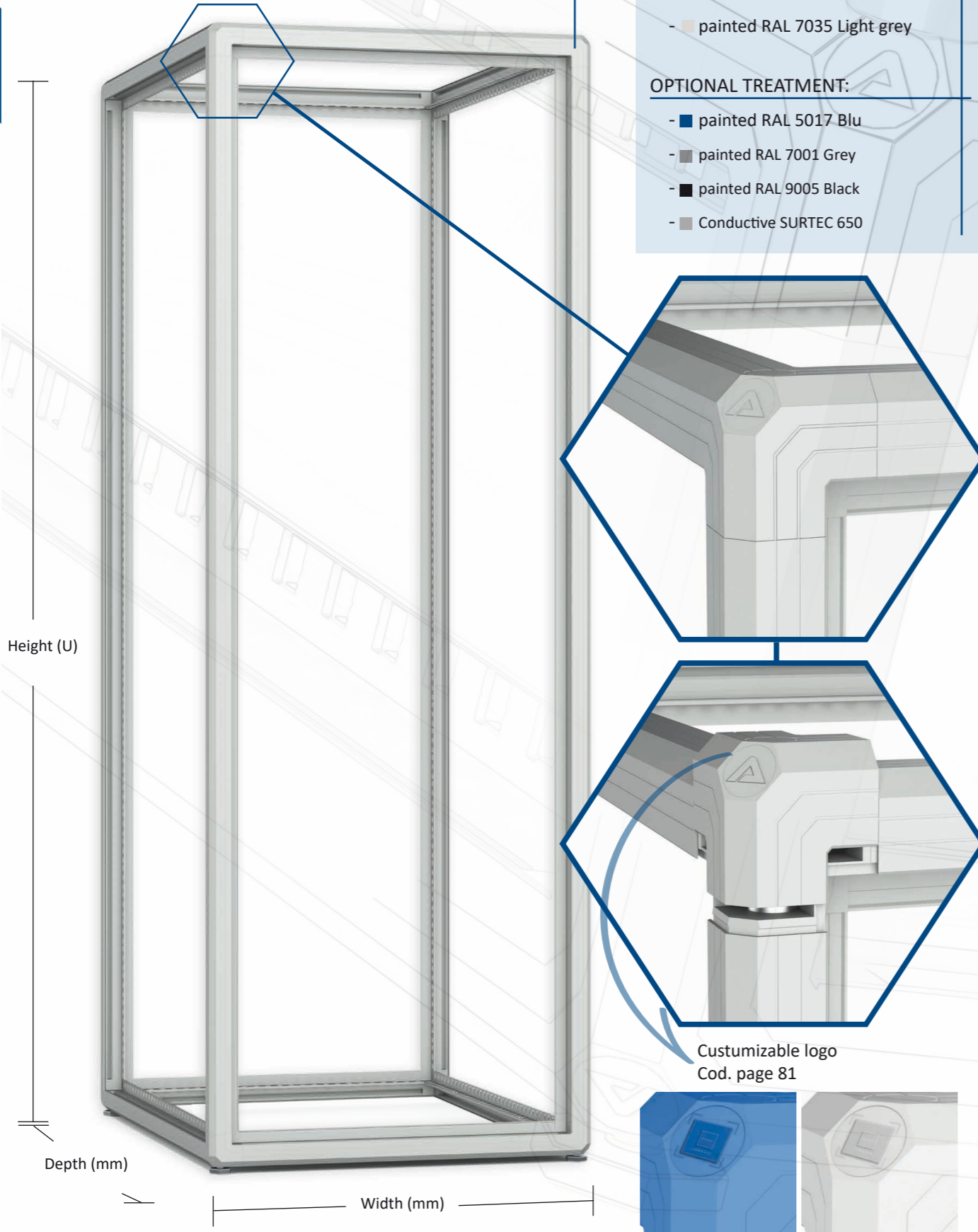
Extruded aluminium profiles frames

STANDARD TREATMENT:

- painted RAL 7035 Light grey

OPTIONAL TREATMENT:

- painted RAL 5017 Blu
- painted RAL 7001 Grey
- painted RAL 9005 Black
- Conductive SURTEC 650



Customizable logo
Cod. page 81

Useful Units	Total height mm	Depth mm	Purchase code		
			* Width = 550 mm	** Width = 600 mm	*** Width = 800 mm
12	635	600	0101-9812-5560	0101-9812-6060	0101-9812-8060
12	635	700	0101-9812-5570	0101-9812-6070	0101-9812-8070
12	635	800	0101-9812-5580	0101-9812-6080	0101-9812-8080
12	635	1000	0101-9812-5510	0101-9812-6010	0101-9812-8010
12	635	1200	0101-9812-5512	0101-9812-6012	0101-9812-8012
15	768	600	0101-9815-5560	0101-9815-6060	0101-9815-8060
15	768	700	0101-9815-5570	0101-9815-6070	0101-9815-8070
15	768	800	0101-9815-5580	0101-9815-6080	0101-9815-8080
15	768	1000	0101-9815-5510	0101-9815-6010	0101-9815-8010
15	768	1200	0101-9815-5512	0101-9815-6012	0101-9815-8012
18	902	600	0101-9818-5560	0101-9818-6060	0101-9818-8060
18	902	700	0101-9818-5570	0101-9818-6070	0101-9818-8070
18	902	800	0101-9818-5580	0101-9818-6080	0101-9818-8080
18	902	1000	0101-9818-5510	0101-9818-6010	0101-9818-8010
18	902	1200	0101-9818-5512	0101-9818-6012	0101-9818-8012
24	1168	600	0101-9824-5560	0101-9824-6060	0101-9824-8060
24	1168	700	0101-9824-5570	0101-9824-6070	0101-9824-8070
24	1168	800	0101-9824-5580	0101-9824-6080	0101-9824-8080
24	1168	1000	0101-9824-5510	0101-9824-6010	0101-9824-8010
24	1168	1200	0101-9824-5512	0101-9824-6012	0101-9824-8012
30	1435	600	0101-9830-5560	0101-9830-6060	0101-9830-8060
30	1435	700	0101-9830-5570	0101-9830-6070	0101-9830-8070
30	1435	800	0101-9830-5580	0101-9830-6080	0101-9830-8080
30	1435	1000	0101-9830-5510	0101-9830-6010	0101-9830-8010
30	1435	1200	0101-9830-5512	0101-9830-6012	0101-9830-8012
36	1702	600	0101-9836-5560	0101-9836-6060	0101-9836-8060
36	1702	700	0101-9836-5570	0101-9836-6070	0101-9836-8070
36	1702	800	0101-9836-5580	0101-9836-6080	0101-9836-8080
36	1702	1000	0101-9836-5510	0101-9836-6010	0101-9836-8010
36	1702	1200	0101-9836-5512	0101-9836-6012	0101-9836-8012
42	1969	600	0101-9842-5560	0101-9842-6060	0101-9842-8060
42	1969	700	0101-9842-5570	0101-9842-6070	0101-9842-8070
42	1969	800	0101-9842-5580	0101-9842-6080	0101-9842-8080
42	1969	1000	0101-9842-5510	0101-9842-6010	0101-9842-8010
42	1969	1200	0101-9842-5512	0101-9842-6012	0101-9842-8012

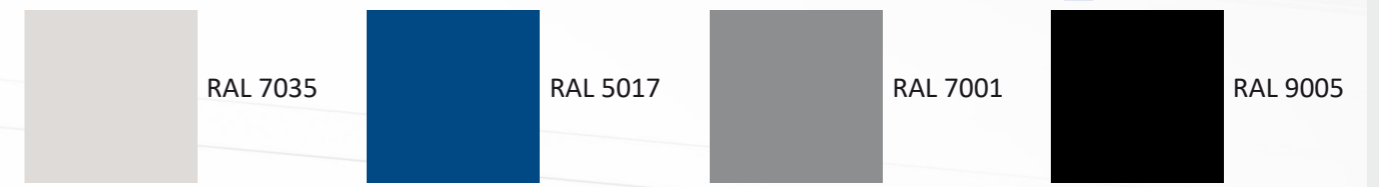
* RACK 550 : 19" direct connection

** RACK 600 : Requires 19" rails kit

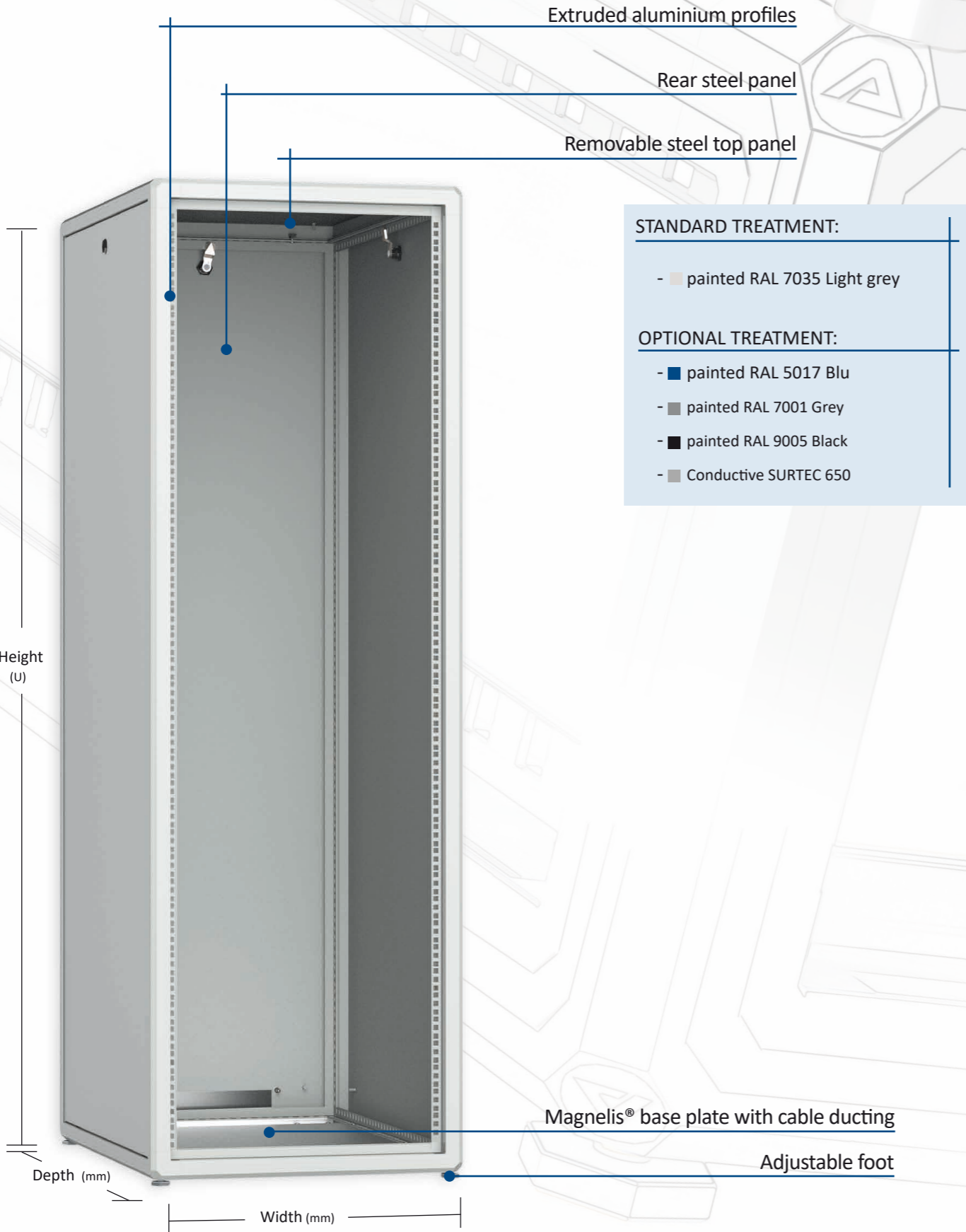
PG. 50

*** RACK 800 : Requires 19" rails kit + 19" reduction kit

PG. 50/63



19" rack cabinets, 550 mm of width, without front door.
 This 19" cabinet line foresees a direct mounting of the components to the structure profile without the use of additional internal rails.

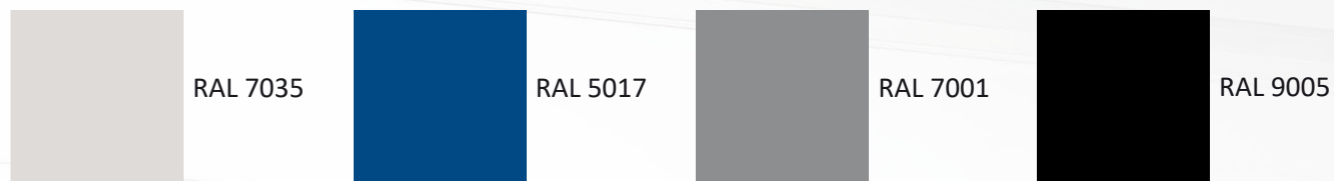


- STANDARD TREATMENT:**
- painted RAL 7035 Light grey
- OPTIONAL TREATMENT:**
- painted RAL 5017 Blu
 - painted RAL 7001 Grey
 - painted RAL 9005 Black
 - Conductive SURTEC 650

Rack 550 mm

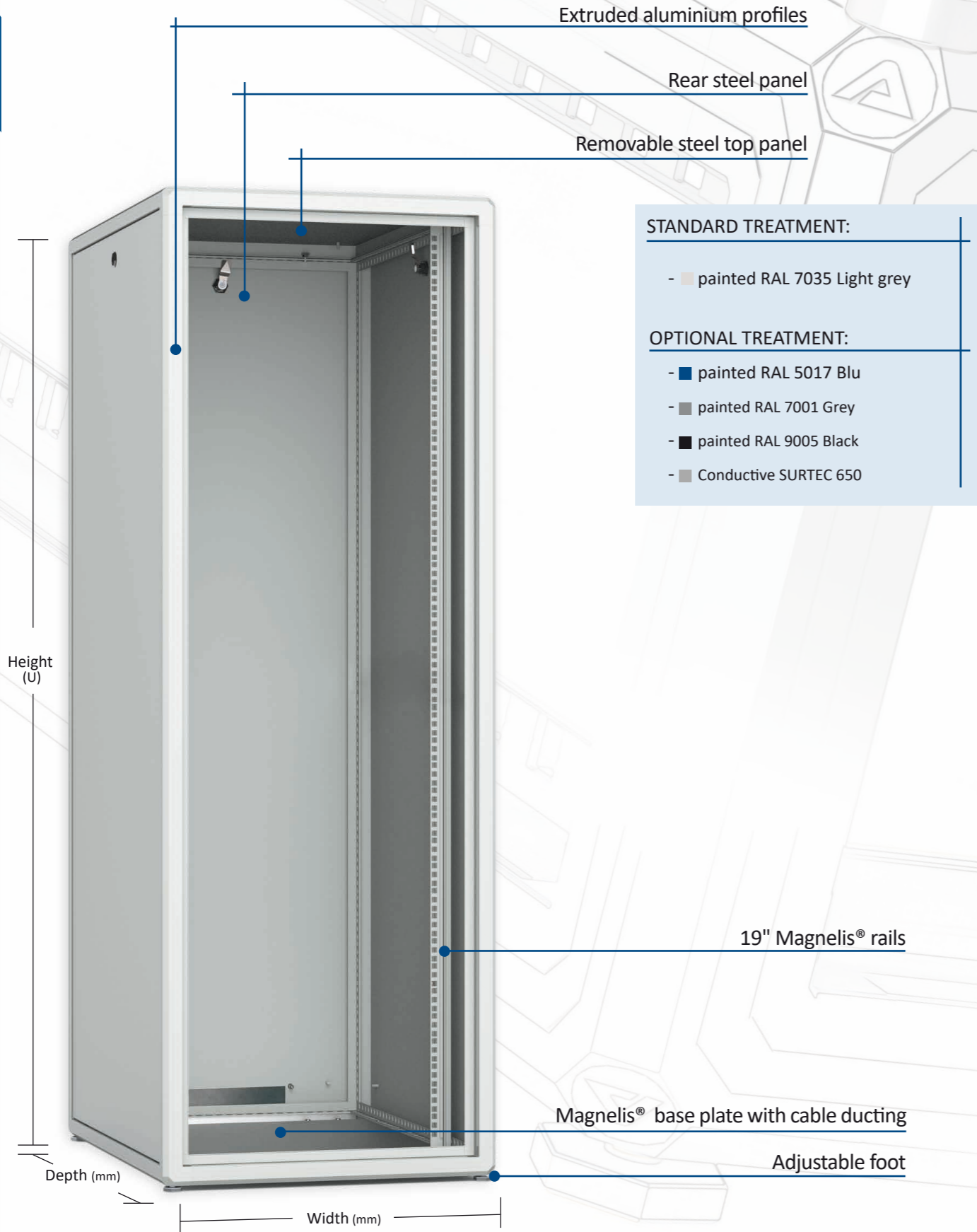
Useful Units	Total height mm	Depth mm	Purchase code
			Width = 550 mm
12	635	600	0101/0112/5560
12	635	700	0101/0112/5570
12	635	800	0101/0112/5580
12	635	1000	0101/0112/5510
12	635	1200	0101/0112/5512
15	768	600	0101/0115/5560
15	768	700	0101/0115/5570
15	768	800	0101/0115/5580
15	768	1000	0101/0115/5510
15	768	1200	0101/0115/5512
18	902	600	0101/0118/5560
18	902	700	0101/0118/5570
18	902	800	0101/0118/5580
18	902	1000	0101/0118/5510
18	902	1200	0101/0118/5512
24	1168	600	0101/0124/5560
24	1168	700	0101/0124/5570
24	1168	800	0101/0124/5580
24	1168	1000	0101/0124/5510
24	1168	1200	0101/0124/5512
30	1435	600	0101/0130/5560
30	1435	700	0101/0130/5570
30	1435	800	0101/0130/5580
30	1435	1000	0110/0130/5510
30	1435	1200	0101/0130/5512
36	1702	600	0101/0136/5560
36	1702	700	0101/0136/5570
36	1702	800	0101/0136/5580
36	1702	1000	0101/0136/5510
36	1702	1200	0101/0136/5512
42	1969	600	0101/0142/5560
42	1969	700	0101/0142/5570
42	1969	800	0101/0142/5580
42	1969	1000	0101/0142/5510
42	1969	1200	0101/0142/5512

COLOURS:



EPOXY POLYESTER POWDER COATED

19" rack cabinets, 600 mm of width, without front door.
This 19" cabinet line foresees the mounting of the components to the inner rail that is also available in steel.

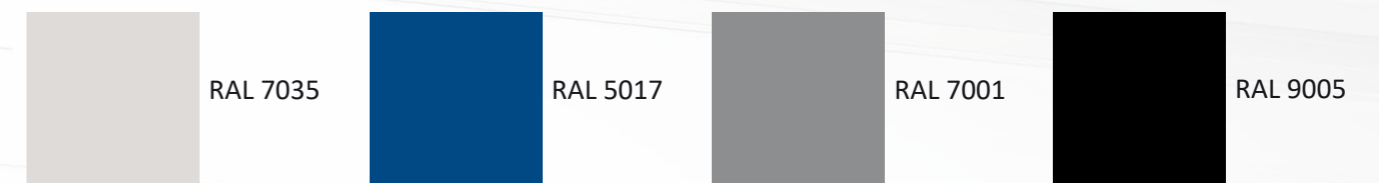


- STANDARD TREATMENT:**
- painted RAL 7035 Light grey
- OPTIONAL TREATMENT:**
- painted RAL 5017 Blu
 - painted RAL 7001 Grey
 - painted RAL 9005 Black
 - Conductive SURTEC 650

Rack 600 mm

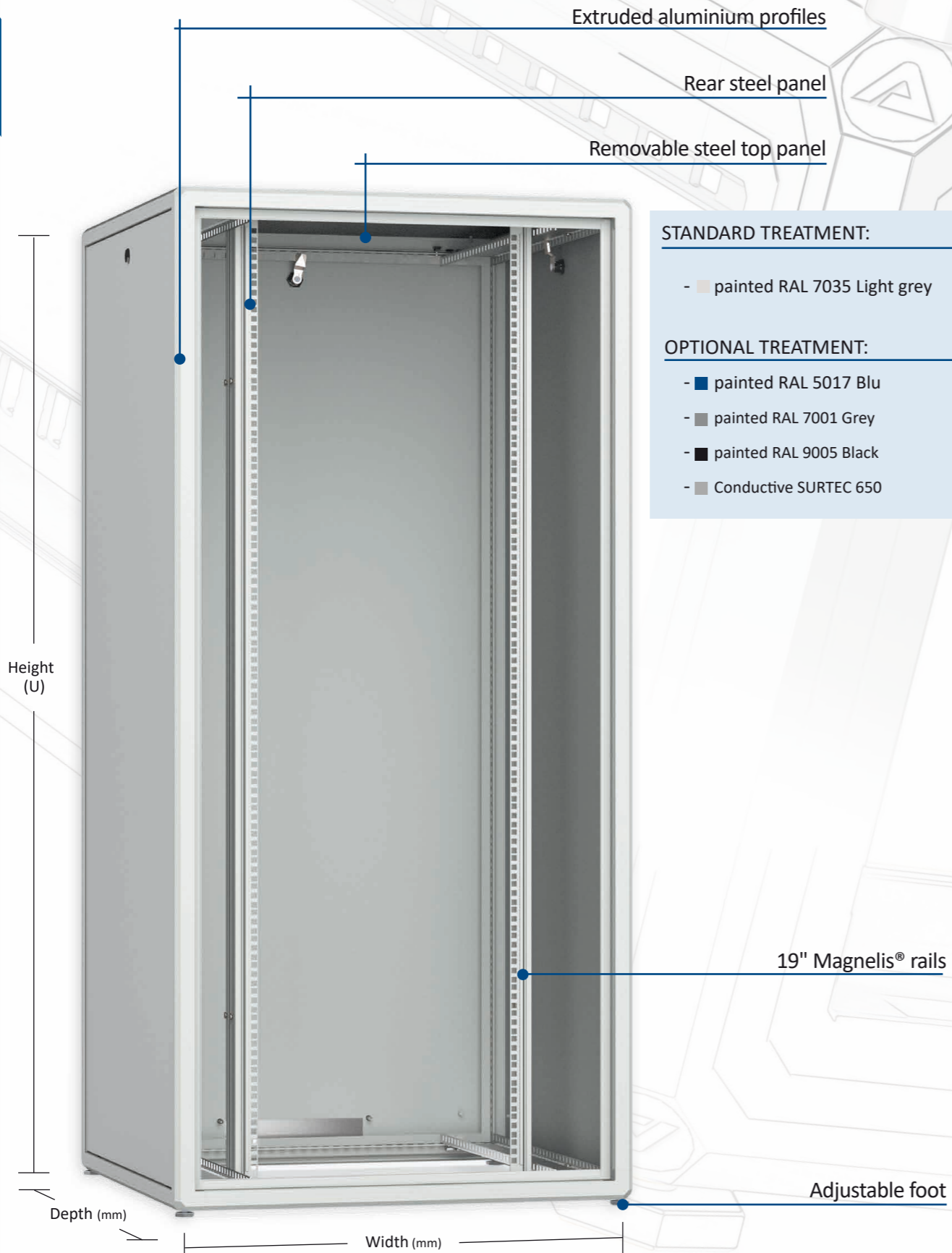
Useful Units	Total height mm	Depth mm	Purchase code
			Width = 600 mm
12	635	600	0101/0112/6060
12	635	700	0101/0112/6070
12	635	800	0101/0112/6080
12	635	1000	0101/0112/6010
12	635	1200	0101/0112/6012
15	768	600	0101/0115/6060
15	768	700	0101/0115/6070
15	768	800	0101/0115/6080
15	768	1000	0101/0115/6010
15	768	1200	0101/0115/6012
18	902	600	0101/0118/6060
18	902	700	0101/0118/6070
18	902	800	0101/0118/6080
18	902	1000	0101/0118/6010
18	902	1200	0101/0118/6012
24	1168	600	0101/0124/6060
24	1168	700	0101/0124/6070
24	1168	800	0101/0124/6080
24	1168	1000	0101/0124/6010
24	1168	1200	0101/0124/6012
30	1435	600	0101/0130/6060
30	1435	700	0101/0130/6070
30	1435	800	0101/0130/6080
30	1435	1000	0101/0130/6010
30	1435	1200	0101/0130/6012
36	1702	600	0101/0136/6060
36	1702	700	0101/0136/6070
36	1702	800	0101/0136/6080
36	1702	1000	0101/0136/6010
36	1702	1200	0101/0136/6012
42	1969	600	0101/0142/6060
42	1969	700	0101/0142/6070
42	1969	800	0101/0142/6080
42	1969	1000	0101/0142/6010
42	1969	1200	0101/0142/6012

COLOURS:



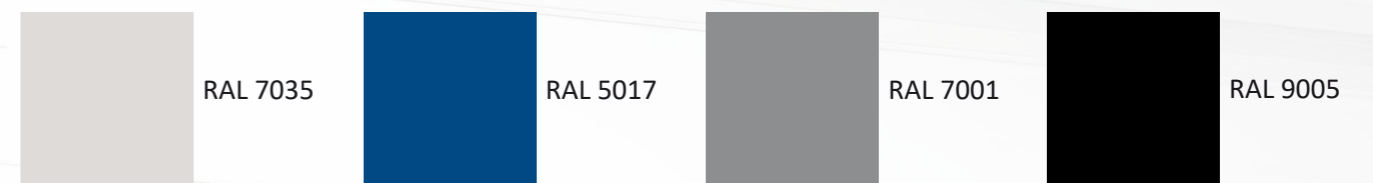
EPOXY POLYESTER POWDER COATED

19" rack cabinets, 800 mm of width, without front door.
 This 19" cabinet line allows enough side space for cables passage and wiring. In this cabinet, for the inner rails installation, a reduction kit is provided.



- STANDARD TREATMENT:**
- painted RAL 7035 Light grey
- OPTIONAL TREATMENT:**
- painted RAL 5017 Blu
 - painted RAL 7001 Grey
 - painted RAL 9005 Black
 - Conductive SURTEC 650

COLOURS:



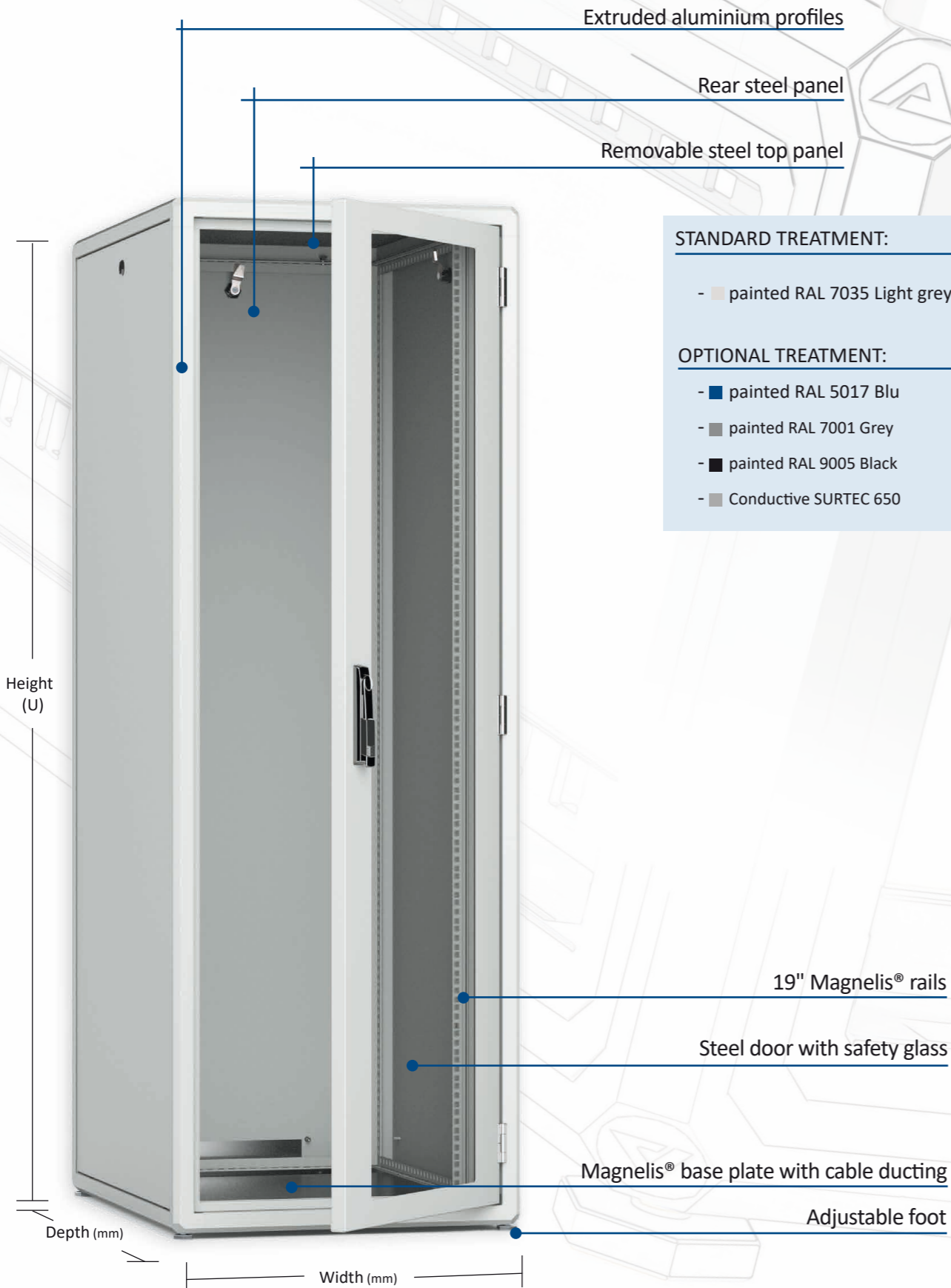
EPOXY POLYESTER POWDER COATED

Rack 800 mm

Useful Units	Total height mm	Depth mm	Purchase code
			Width = 800 mm
12	635	600	0101/0112/8060
12	635	700	0101/0112/8070
12	635	800	0101/0112/8080
12	635	1000	0101/0112/8010
12	635	1200	0101/0112/8012
15	768	600	0101/0115/8060
15	768	700	0101/0115/8070
15	768	800	0101/0115/8080
15	768	1000	0101/0115/8010
15	768	1200	0101/0115/8012
18	902	600	0101/0118/8060
18	902	700	0101/0118/8070
18	902	800	0101/0118/8080
18	902	1000	0101/0118/8010
18	902	1200	0101/0118/8012
24	1168	600	0101/0124/8060
24	1168	700	0101/0124/8070
24	1168	800	0101/0124/8080
24	1168	1000	0101/0124/8010
24	1168	1200	0101/0124/8012
30	1435	600	0101/0130/8060
30	1435	700	0101/0130/8070
30	1435	800	0101/0130/8080
30	1435	1000	0101/0130/8010
30	1435	1200	0101/0130/8012
36	1702	600	0101/0136/8060
36	1702	700	0101/0136/8070
36	1702	800	0101/0136/8080
36	1702	1000	0101/0136/8010
36	1702	1200	0101/0136/8012
42	1969	600	0101/0142/8060
42	1969	700	0101/0142/8070
42	1969	800	0101/0142/8080
42	1969	1000	0101/0142/8010
42	1969	1200	0101/0142/8012

RACK 600 WITH GLAZED DOOR

19" rack cabinets, 600 mm of width, with front door and tempered security glass.
This 19" cabinet line foresees the mounting of the components to the inner profile that is also available in steel.



STANDARD TREATMENT:

- painted RAL 7035 Light grey

OPTIONAL TREATMENT:

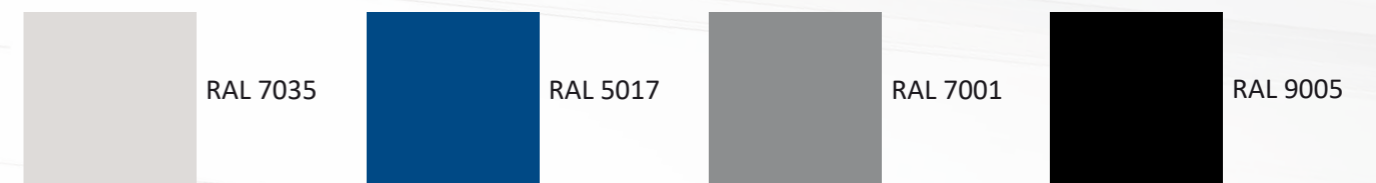
- painted RAL 5017 Blu
- painted RAL 7001 Grey
- painted RAL 9005 Black
- Conductive SURTEC 650

Rack 800mm with glazed door

Useful Units	Total height mm	Depth mm	Purchase code
12	635	600	0101/0212/6060
12	635	700	0101/0212/6070
12	635	800	0101/0212/6080
12	635	1000	0101/0212/6010
12	635	1200	0101/0212/6012
15	768	600	0101/0215/6060
15	768	700	0101/0215/6070
15	768	800	0101/0215/6080
15	768	1000	0101/0215/6010
15	768	1200	0101/0215/6012
18	902	600	0101/0218/6060
18	902	700	0101/0218/6070
18	902	800	0101/0218/6080
18	902	1000	0101/0218/6010
18	902	1200	0101/0218/6012
24	1168	600	0101/0224/6060
24	1168	700	0101/0224/6070
24	1168	800	0101/0224/6080
24	1168	1000	0101/0224/6010
24	1168	1200	0101/0224/6012
30	1435	600	0101/0230/6060
30	1435	700	0101/0230/6070
30	1435	800	0101/0230/6080
30	1435	1000	0101/0230/6010
30	1435	1200	0101/0230/6012
36	1702	600	0101/0236/6060
36	1702	700	0101/0236/6070
36	1702	800	0101/0236/6080
36	1702	1000	0101/0236/6010
36	1702	1200	0101/0236/6012
42	1969	600	0101/0242/6060
42	1969	700	0101/0242/6070
42	1969	800	0101/0242/6080
42	1969	1000	0101/0242/6010
42	1969	1200	0101/0242/6012

Reversible door
IP 54

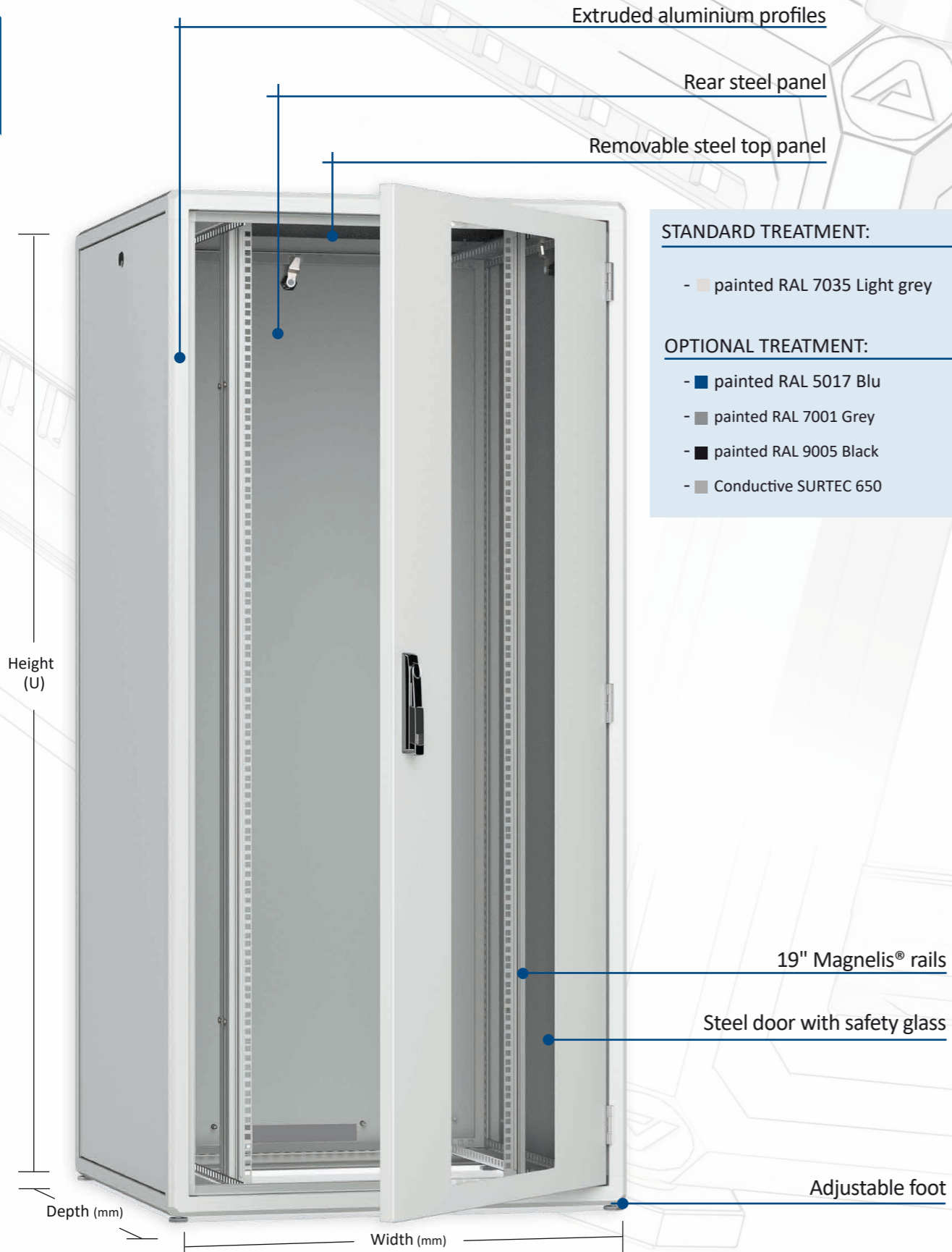
COLOURS:



EPOXY POLYESTER POWDER COATED

RACK 800 WITH GLAZED DOOR

19" rack cabinets, 800 mm of width, with front door and tempered security glass. This 19" cabinet line allows enough side space for cables passage and wiring. In this cabinet, for the inner rails installation, a reduction kit is provided.

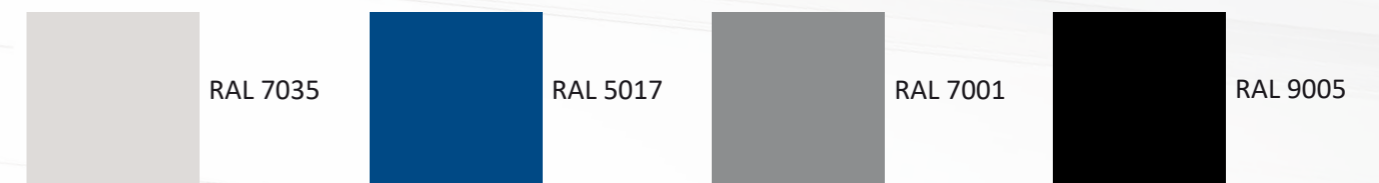


Rack 800mm with glazed door

Useful Units	Total height mm	Depth mm	Purchase code
			Width = 800 mm
12	635	600	0101/0212/8060
12	635	700	0101/0212/8070
12	635	800	0101/0212/8080
12	635	1000	0101/0212/8010
12	635	1200	0101/0212/8012
15	768	600	0101/0215/8060
15	768	700	0101/0215/8070
15	768	800	0101/0215/8080
15	768	1000	0101/0215/8010
15	768	1200	0101/0215/8012
18	902	600	0101/0218/8060
18	902	700	0101/0218/8070
18	902	800	0101/0218/8080
18	902	1000	0101/0218/8010
18	902	1200	0101/0218/8012
24	1168	600	0101/0224/8060
24	1168	700	0101/0224/8070
24	1168	800	0101/0224/8080
24	1168	1000	0101/0224/8010
24	1168	1200	0101/0224/8012
30	1435	600	0101/0230/8060
30	1435	700	0101/0230/8070
30	1435	800	0101/0230/8080
30	1435	1000	0101/0230/8010
30	1435	1200	0101/0230/8012
36	1702	600	0101/0236/8060
36	1702	700	0101/0236/8070
36	1702	800	0101/0236/8080
36	1702	1000	0101/0236/8010
36	1702	1200	0101/0236/8012
42	1969	600	0101/0242/8060
42	1969	700	0101/0242/8070
42	1969	800	0101/0242/8080
42	1969	1000	0101/0242/8010
42	1969	1200	0101/0242/8012

Reversible door
IP 54

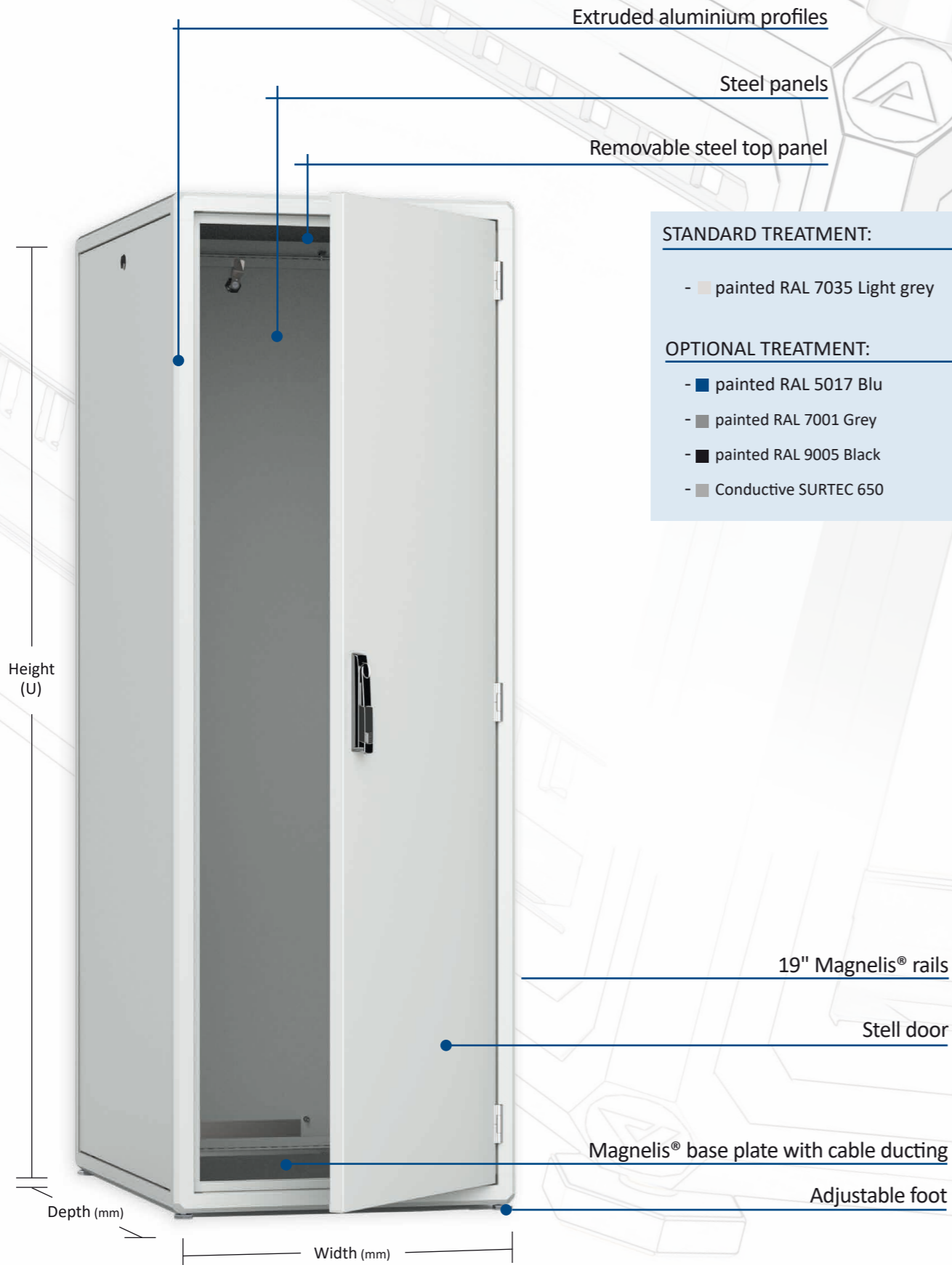
COLOURS:



EPOXY POLYESTER POWDER COATED

RACK 600 WITH BLANK DOOR

19" rack cabinets, 600 mm of width, with blank front door.
This 19" cabinet line foresees the mounting of the components to the inner rail that is also available in steel.

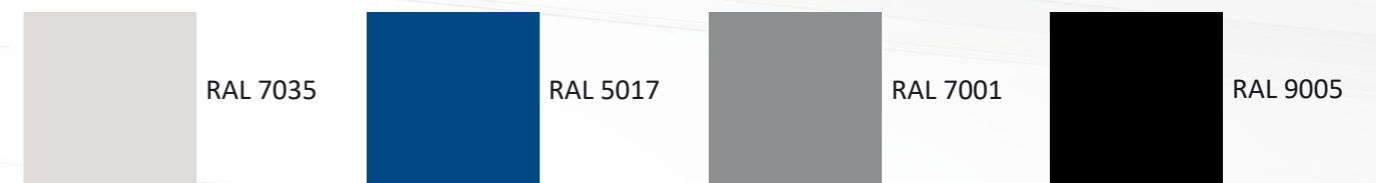


Rack 600mm with blank door

Useful Units	Total height mm	Depth mm	Purchase code
			Width = 600 mm
12	635	600	0101/0312/6060
12	635	700	0101/0312/6070
12	635	800	0101/0312/6080
12	635	1000	0101/0312/6010
12	635	1200	0101/0312/6012
15	768	600	0101/0315/6060
15	768	700	0101/0315/6070
15	768	800	0101/0315/6080
15	768	1000	0101/0315/6010
15	768	1200	0101/0315/6012
18	902	600	0101/0318/6060
18	902	700	0101/0318/6070
18	902	800	0101/0318/6080
18	902	1000	0101/0318/6010
18	902	1200	0101/0318/6012
24	1168	600	0101/0324/6060
24	1168	700	0101/0324/6070
24	1168	800	0101/0324/6080
24	1168	1000	0101/0324/6010
24	1168	1200	0101/0324/6012
30	1435	600	0101/0330/6060
30	1435	700	0101/0330/6070
30	1435	800	0101/0330/6080
30	1435	1000	0101/0330/6010
30	1435	1200	0101/0330/6012
36	1702	600	0101/0336/6060
36	1702	700	0101/0336/6070
36	1702	800	0101/0336/6080
36	1702	1000	0101/0336/6010
36	1702	1200	0101/0336/6012
42	1969	600	0101/0342/6060
42	1969	700	0101/0342/6070
42	1969	800	0101/0342/6080
42	1969	1000	0101/0342/6010
42	1969	1200	0101/0342/6012

Reversable door
IP 54

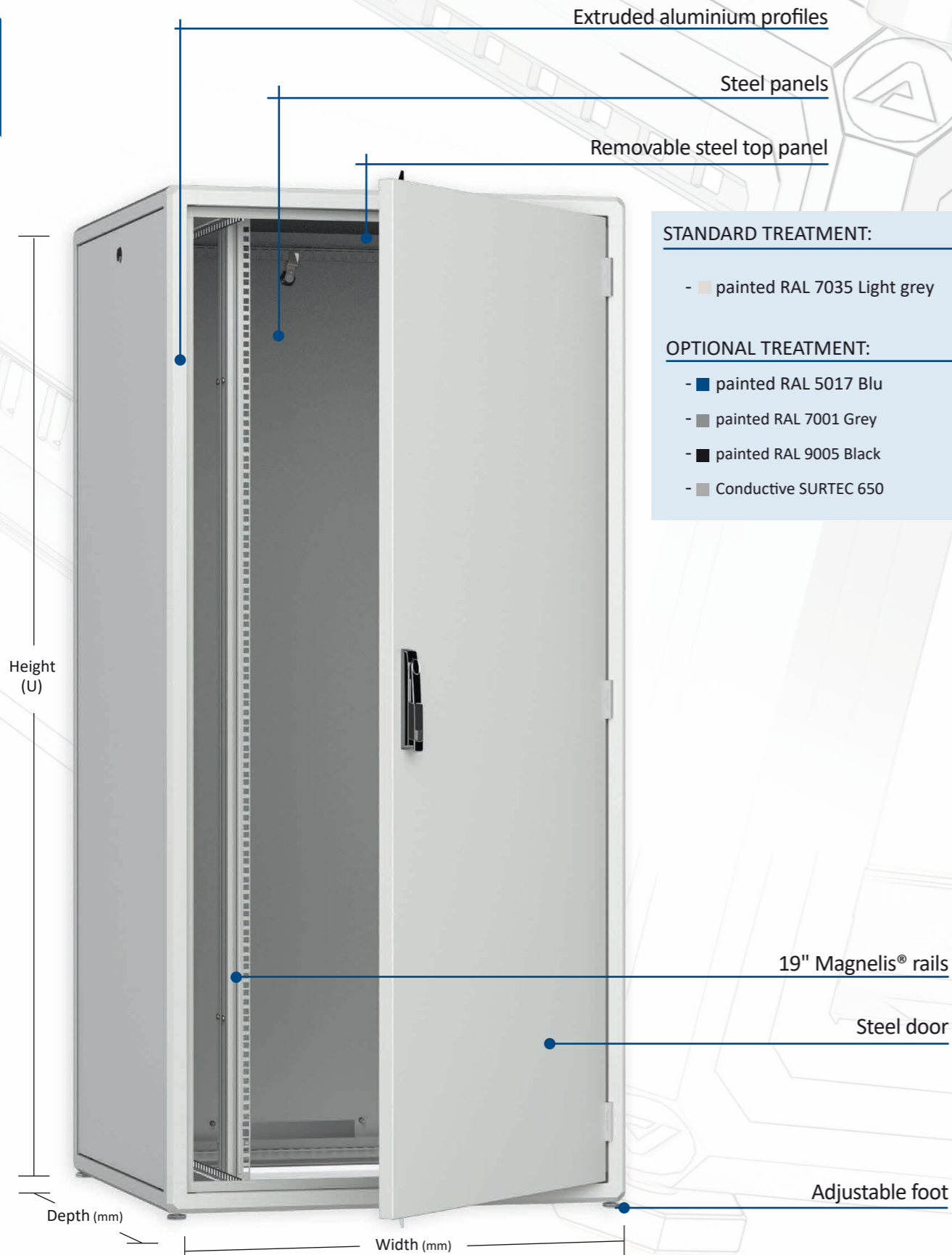
COLOURS:



EPOXY POLYESTER POWDER COATED

RACK 800 WITH BLANK DOOR

19" rack cabinets, 800 mm of width, with blank front door.
 This 19" cabinet line allows enough side space for cables passage and wiring. In this cabinet, for the inner rails installation, a reduction kit is provided.

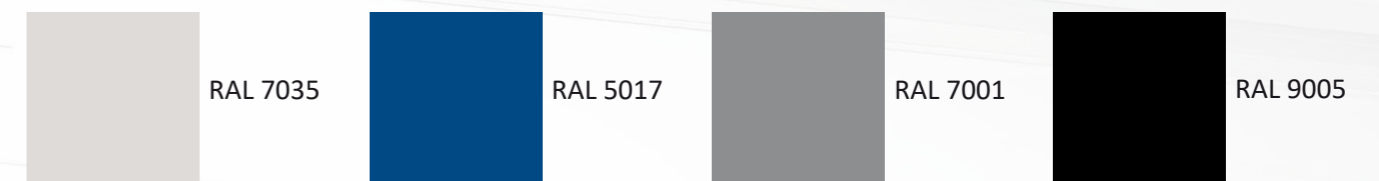


Rack 800mm with blank door

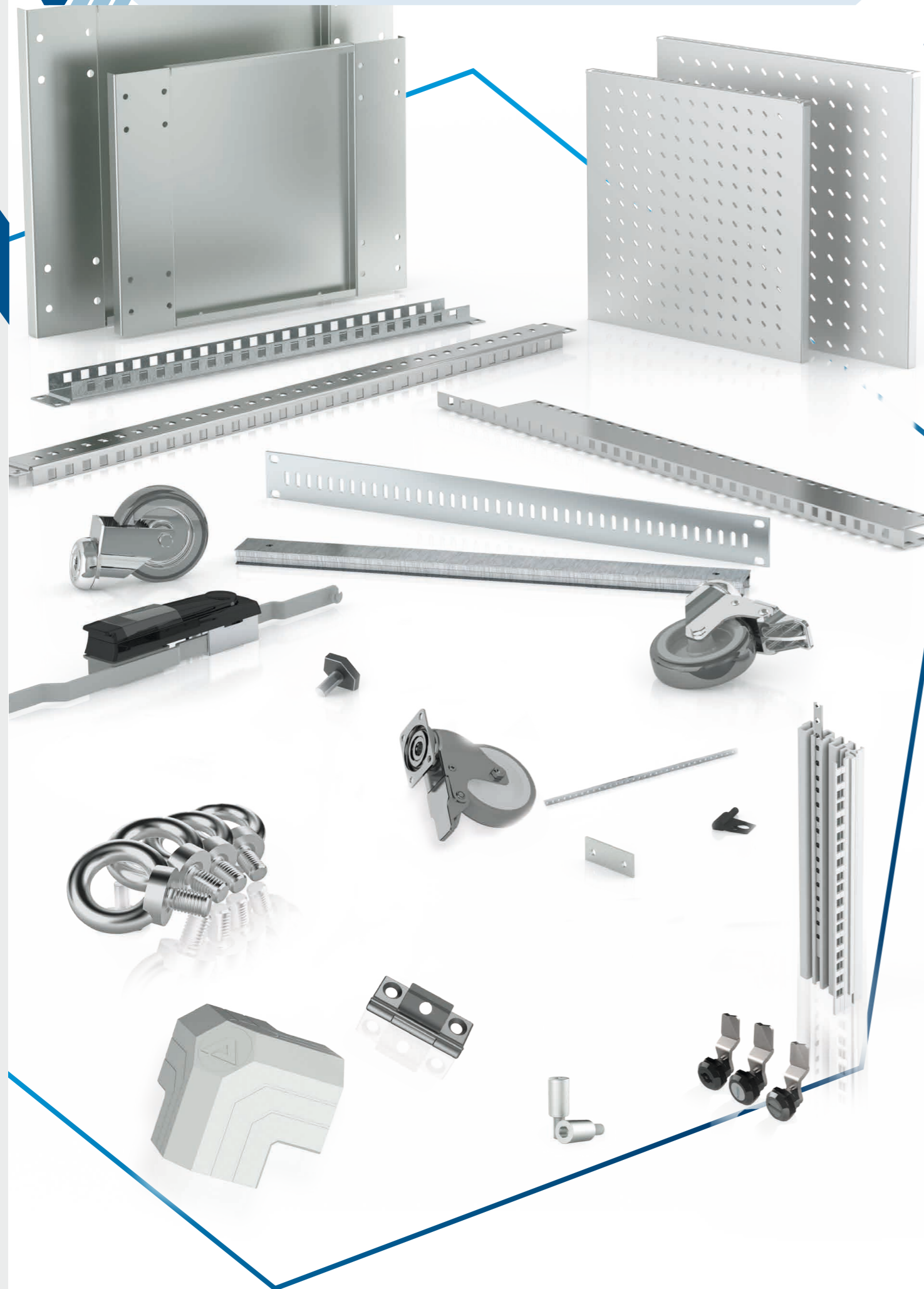
Useful Units	Total height mm	Depth mm	Purchase code
			Width = 800 mm
12	635	600	0101/0312/8060
12	635	700	0101/0312/8070
12	635	800	0101/0312/8080
12	635	1000	0101/0312/8010
12	635	1200	0101/0312/8012
15	768	600	0101/0315/8060
15	768	700	0101/0315/8070
15	768	800	0101/0315/8080
15	768	1000	0101/0315/8010
15	768	1200	0101/0315/8012
18	902	600	0101/0318/8060
18	902	700	0101/0318/8070
18	902	800	0101/0318/8080
18	902	1000	0101/0318/8010
18	902	1200	0101/0318/8012
24	1168	600	0101/0324/8060
24	1168	700	0101/0324/8070
24	1168	800	0101/0324/8080
24	1168	1000	0101/0324/8010
24	1168	1200	0101/0324/8012
30	1435	600	0101/0330/8060
30	1435	700	0101/0330/8070
30	1435	800	0101/0330/8080
30	1435	1000	0101/0330/8010
30	1435	1200	0101/0330/8012
36	1702	600	0101/0336/8060
36	1702	700	0101/0336/8070
36	1702	800	0101/0336/8080
36	1702	1000	0101/0336/8010
36	1702	1200	0101/0336/8012
42	1969	600	0101/0342/8060
42	1969	700	0101/0342/8070
42	1969	800	0101/0342/8080
42	1969	1000	0101/0342/8010
42	1969	1200	0101/0342/8012

Reversible door
 IP 54

COLOURS:



EPOXY POLYESTER POWDER COATED



Blank doors



Useful Units	Rack width mm	Purchase code
12	600	0101-0804-1260
12	800	0101-0804-1280
15	600	0101-0804-1560
15	800	0101-0804-1580
18	600	0101-0804-1860
18	800	0101-0804-1880
24	600	0101-0804-2460
24	800	0101-0804-2480
30	600	0101-0804-3060
30	800	0101-0804-3080
36	600	0101-0804-3660
36	800	0101-0804-3680
42	600	0101-0804-4260
42	800	0101-0804-4280

Steel 15/10 painted RAL 7035
EPOXY POLYESTER POWDER COATED

Glazed doors



Useful Units	Rack width mm	Purchase code
12	600	0101-0805-1260
12	800	0101-0805-1280
15	600	0101-0805-1560
15	800	0101-0805-1580
18	600	0101-0805-1860
18	800	0101-0805-1880
24	600	0101-0805-2460
24	800	0101-0805-2480
30	600	0101-0805-3060
30	800	0101-0805-3080
36	600	0101-0805-3660
36	800	0101-0805-3680
42	600	0101-0805-4260
42	800	0101-0805-4280

Steel 15/10 painted RAL 7035
EPOXY POLYESTER POWDER COATED

Rear panels with cable ducting



Useful Units	Rack Depth mm	Purchase code
12	550	0101-0701-1255
12	600	0101-0701-1260
12	700	0101-0701-1270
12	800	0101-0701-1280
12	1000	0101-0701-1210
12	1200	0101-0701-1212
15	550	0101-0701-1555
15	600	0101-0701-1560
15	700	0101-0701-1570
15	800	0101-0701-1580
15	1000	0101-0701-1510
15	1200	0101-0701-1512
18	550	0101-0701-1855
18	600	0101-0701-1860
18	700	0101-0701-1870
18	800	0101-0701-1880
18	1000	0101-0701-1810
18	1200	0101-0701-1812
24	550	0101-0701-2455
24	600	0101-0701-2460
24	700	0101-0701-2470
24	800	0101-0701-2480
24	1000	0101-0701-2410
24	1200	0101-0701-2412
30	550	0101-0701-3055
30	600	0101-0701-3060
30	700	0101-0701-3070
30	800	0101-0701-3080
30	1000	0101-0701-3010
30	1200	0101-0701-3012
36	550	0101-0701-3655
36	600	0101-0701-3660
36	700	0101-0701-3670
36	800	0101-0701-3680
36	1000	0101-0701-3610
36	1200	0101-0701-3612
42	550	0101-0701-4255
42	600	0101-0701-4260
42	700	0101-0701-4270
42	800	0101-0701-4280
42	1000	0101-0701-4210
42	1200	0101-0701-4212

Steel 12/10 painted RAL 7035
EPOXY POLYESTER POWDER COATED

Panels



Useful Units	Rack depth mm	Purchase code
12	550	0101-0702-1255
12	600	0101-0702-1260
12	700	0101-0702-1270
12	800	0101-0702-1280
12	1000	0101-0702-1210
12	1200	0101-0702-1212
15	550	0101-0702-1555
15	600	0101-0702-1560
15	700	0101-0702-1570
15	800	0101-0702-1580
15	1000	0101-0702-1510
15	1200	0101-0702-1512
18	550	0101-0702-1855
18	600	0101-0702-1860
18	700	0101-0702-1870
18	800	0101-0702-1880
18	1000	0101-0702-1810
18	1200	0101-0702-1812
24	550	0101-0702-2455
24	600	0101-0702-2460
24	700	0101-0702-2470
24	800	0101-0702-2480
24	1000	0101-0702-2410
24	1200	0101-0702-2412
30	550	0101-0702-3055
30	600	0101-0702-3060
30	700	0101-0702-3070
30	800	0101-0702-3080
30	1000	0101-0702-3010
30	1200	0101-0702-3012
36	550	0101-0702-3655
36	600	0101-0702-3660
36	700	0101-0702-3670
36	800	0101-0702-3680
36	1000	0101-0702-3610
36	1200	0101-0702-3612
42	550	0101-0702-4255
42	600	0101-0702-4260
42	700	0101-0702-4270
42	800	0101-0702-4280
42	1000	0101-0702-4210
42	1200	0101-0702-4212

Steel 12/10 painted RAL 7035
EPOXY POLYESTER POWDER COATED

Standard removable top panels



Rack depth mm	Purchase code		
	Rack width 550 mm	Rack width 600 mm	Rack width 800 mm
600	0101-0601-5560	0101-0601-6060	0101-0601-8060
700	0101-0601-5570	0101-0601-6070	0101-0601-8070
800	0101-0601-5580	0101-0601-6080	0101-0601-8080
1000	0101-0601-5510	0101-0601-6010	0101-0601-8010
1200	0101-0601-5512	0101-0601-6012	0101-0601-8012

Steel 12/10 painted RAL 7035
EPOXY POLYESTER POWDER COATED

Removable top panels with cable entry gland plate predisposed for fan installation



Rack depth mm	Purchase code		
	Rack width 550 mm	Rack width 600 mm	Rack width 800 mm
600	0101-0606-5560	0101-0606-6060	0101-0606-8060
700	0101-0606-5570	0101-0606-6070	0101-0606-8070
800	0101-0606-5580	0101-0606-6080	0101-0606-8080
1000	0101-0606-5510	0101-0606-6010	0101-0606-8010
1200	0101-0606-5512	0101-0606-6012	0101-0606-8012

Steel 12/10 painted RAL 7035
EPOXY POLYESTER POWDER COATED

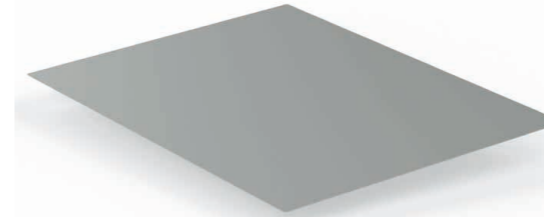
Removable top panels with cable entry gland plate



Rack depth mm	Purchase code		
	Rack width 550 mm	Rack width 600 mm	Rack width 800 mm
600	0101-0603-5560	0101-0603-6060	0101-0603-8060
700	0101-0603-5570	0101-0603-6070	0101-0603-8060
800	0101-0603-5580	0101-0603-6080	0101-0603-8080
1000	0101-0603-5510	0101-0603-6010	0101-0603-8010
1200	0101-0603-5512	0101-0603-6012	0101-0603-8012

Steel 12/10 painted RAL 7035
EPOXY POLYESTER POWDER COATED

Not removable top panels



Rack depth mm	Purchase code		
	Rack width 550 mm	Rack width 600 mm	Rack width 800 mm
600	0101.0602.5560	0101.0602.6060	0101.0602.8060
700	0101.0602.5570	0101.0602.6070	0101.0602.8070
800	0101.0602.5580	0101.0602.6080	0101.0602.8080
1000	0101.0602.5510	0101.0602.6010	0101.0602.8010
1200	0101.0602.5512	0101.0602.6012	0101.0602.8012

Steel 12/10 painted RAL 7035
EPOXY POLYESTER POWDER COATED

Removable top panels predisposed for fan installation



Rack depth mm	Purchase code		
	Rack width 550 mm	Rack width 600 mm	Rack width 800 mm
600	0101-0604-5560	0101-0604-6060	0101-0604-8060
700	0101-0604-5570	0101-0604-6070	0101-0604-8070
800	0101-0604-5580	0101-0604-6080	0101-0604-8080
1000	0101-0604-5510	0101-0604-6010	0101-0604-8010
1200	0101-0604-5512	0101-0604-6012	0101-0604-8012

Steel 12/10 painted RAL 7035
EPOXY POLYESTER POWDER COATED



Blank partial panels



Useful Units	Rack size mm	Purchase code
3	550	0101-0901-0355
3	600	0101-0901-0360
3	700	0101-0901-0370
3	800	0101-0901-0380
3	1000	0101-0901-0310
3	1200	0101-0901-0312
6	550	0101-0901-0655
6	600	0101-0901-0660
6	700	0101-0901-0670
6	800	0101-0901-0680
6	1000	0101-0901-0610
6	1200	0101-0901-0612

Steel 15/10 painted RAL 7035
EPOXY POLYESTER POWDER COATED

Assembly kit and mounting template included

Central partial panels



Useful Units	Rack size mm	Purchase code
3	550	0101-0902-0355
3	600	0101-0902-0360
3	700	0101-0902-0370
3	800	0101-0902-0380
3	1000	0101-0902-0310
3	1200	0101-0902-0312

Steel 15/10 painted RAL 7035
EPOXY POLYESTER POWDER COATED

Assembly kit and mounting template included

Ventilated partial panels



Useful Units	Rack size mm	Purchase code
3	550	0101-0904-0355
3	600	0101-0904-0360
3	700	0101-0904-0370
3	800	0101-0904-0380
3	1000	0101-0904-0310
3	1200	0101-0904-0312
6	550	0101-0904-0655
6	600	0101-0904-0660
6	700	0101-0904-0670
6	800	0101-0904-0680
6	1000	0101-0904-0610
6	1200	0101-0904-0612

Steel 15/10 painted RAL 7035
EPOXY POLYESTER POWDER COATED

Assembly kit and mounting template included

Terminal partial panels



Useful Units	Rack size mm	Purchase code
1	550	0101-0903-55
1	600	0101-0903-60
1	700	0101-0903-70
1	800	0101-0903-80
1	1000	0101-0903-10
1	1200	0101-0903-12

Steel 15/10 painted RAL 7035
EPOXY POLYESTER POWDER COATED

Assembly kit and mounting template included

19" Blank front panel



Useful Units	Purchase code	
	Anodized	Painted ral 7035
1	0505.2901.1001	0505.2905.1001
2	0505.2901.1002	0505.2905.1002
3	0505.2901.1003	0505.2905.1003
4	0505.2901.1004	0505.2905.1004
5	0505.2901.1005	0505.2905.1005
6	0505.2901.1006	0505.2905.1006
9	0505.2901.1009	0505.2905.1009
12	0505.2901.1012	0505.2905.1012
15	0505.2901.1015	0505.2905.1015
18	0505.2901.1018	0505.2905.1018



Anodized aluminium 30/10 - painted
 Assembly kit included
 Attacco 19"

19" Ventilated front panel



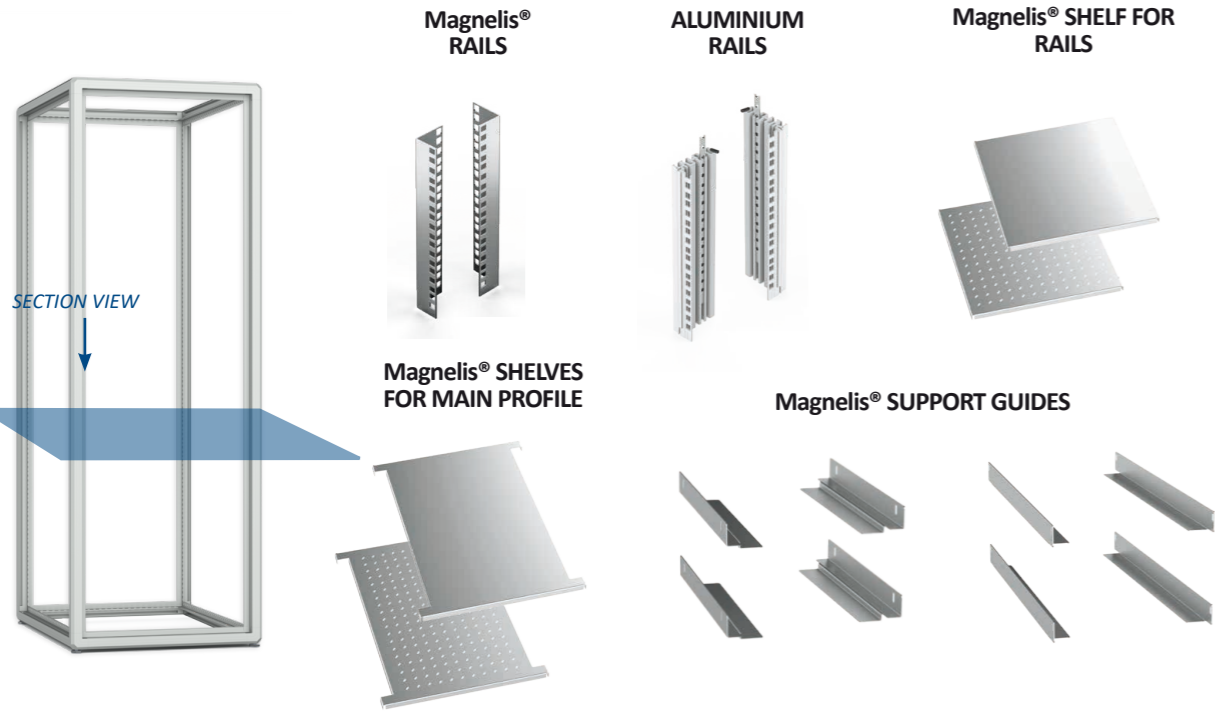
Useful Units	Purchase code	
	Anodized	Painted ral 7035
1	0505.2902.1001	0505.2906.1001
2	0505.2902.1002	0505.2906.1002
3	0505.2902.1003	0505.2906.1003
4	0505.2902.1004	0505.2906.1004
5	0505.2902.1005	0505.2906.1005
6	0505.2902.1006	0505.2906.1006



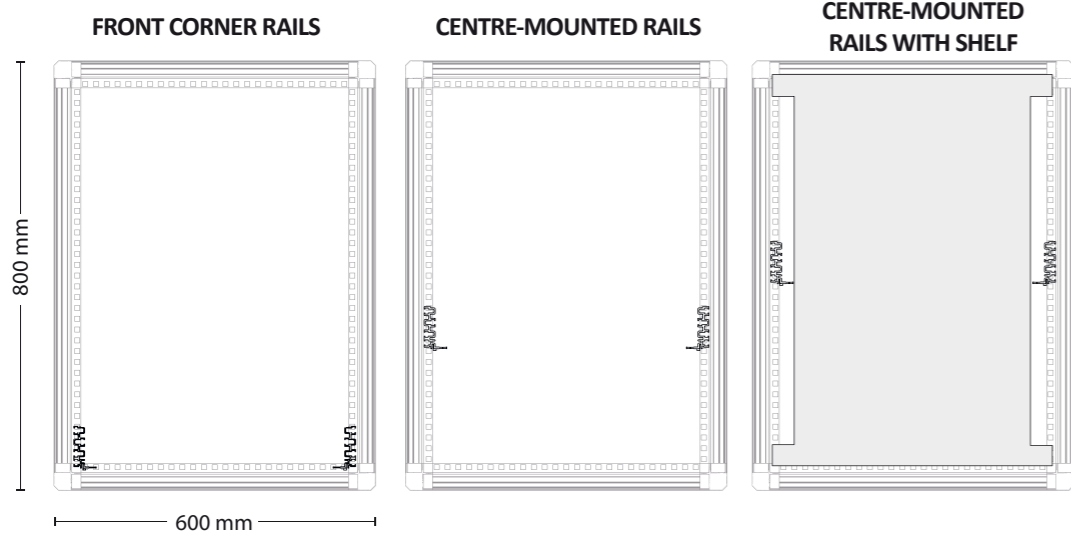
Anodized aluminium 30/10 - painted
 Assembly kit included
 Attacco 19"



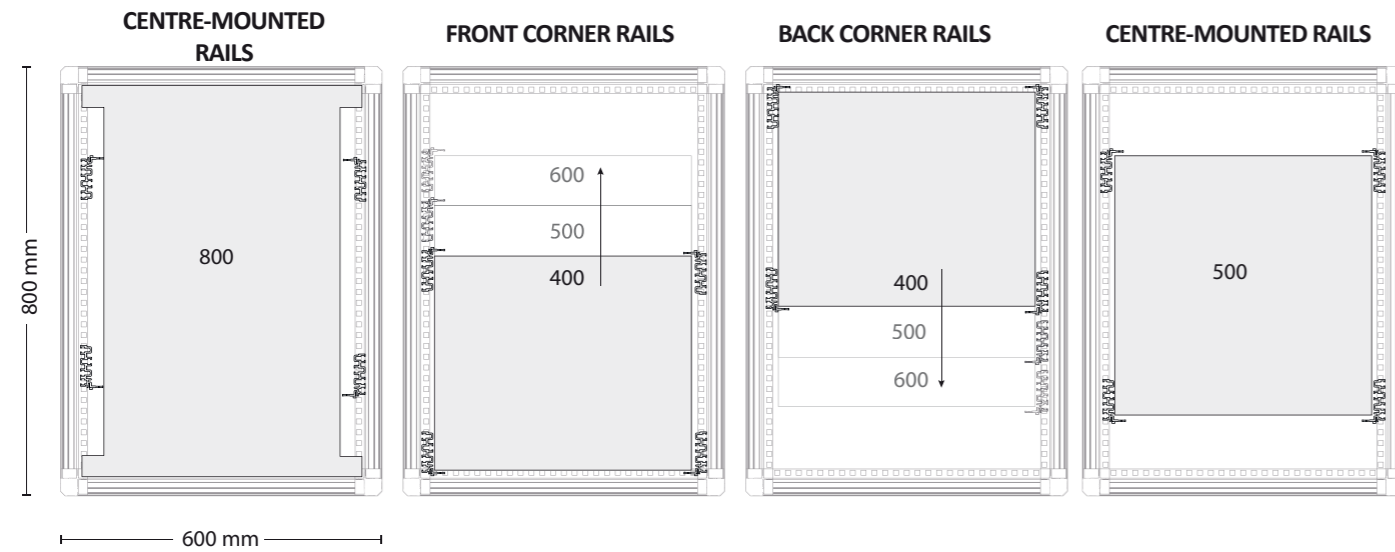
RACK 600 INTERNAL CONFIGURATION EXAMPLES



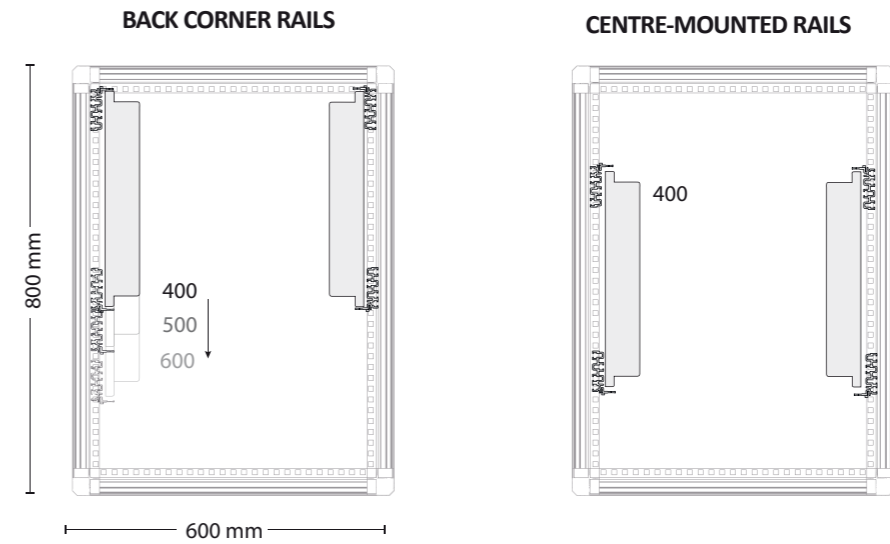
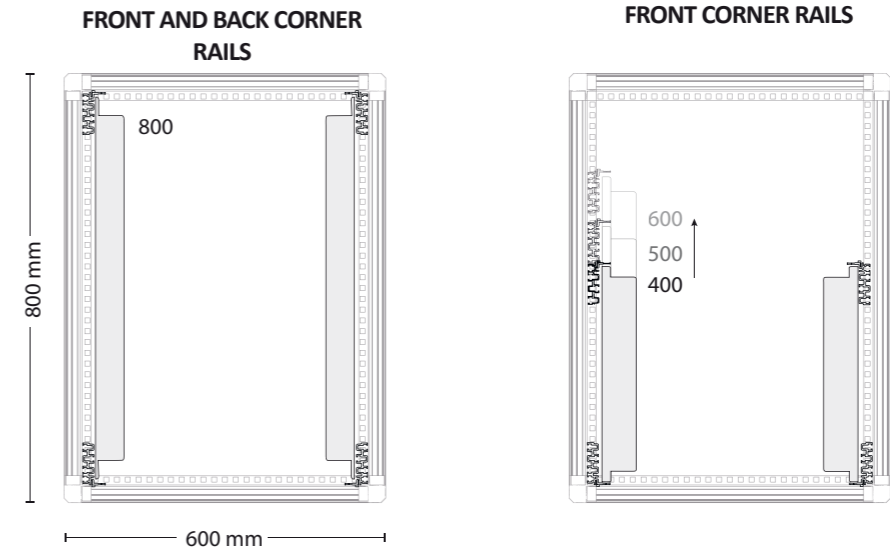
Pair of front rails



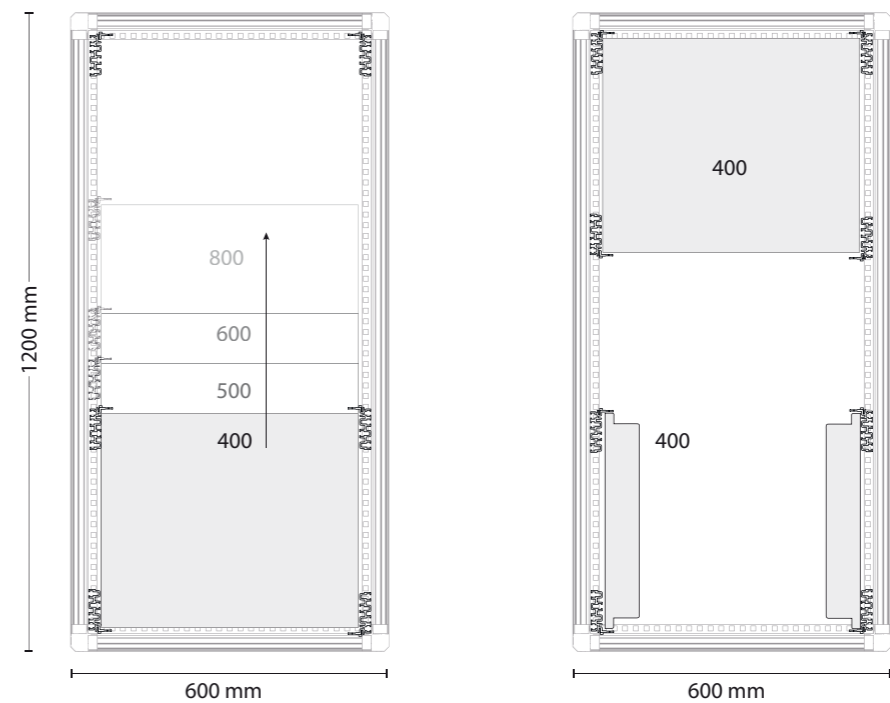
Pair of front rails + pair of rear rails with shelf



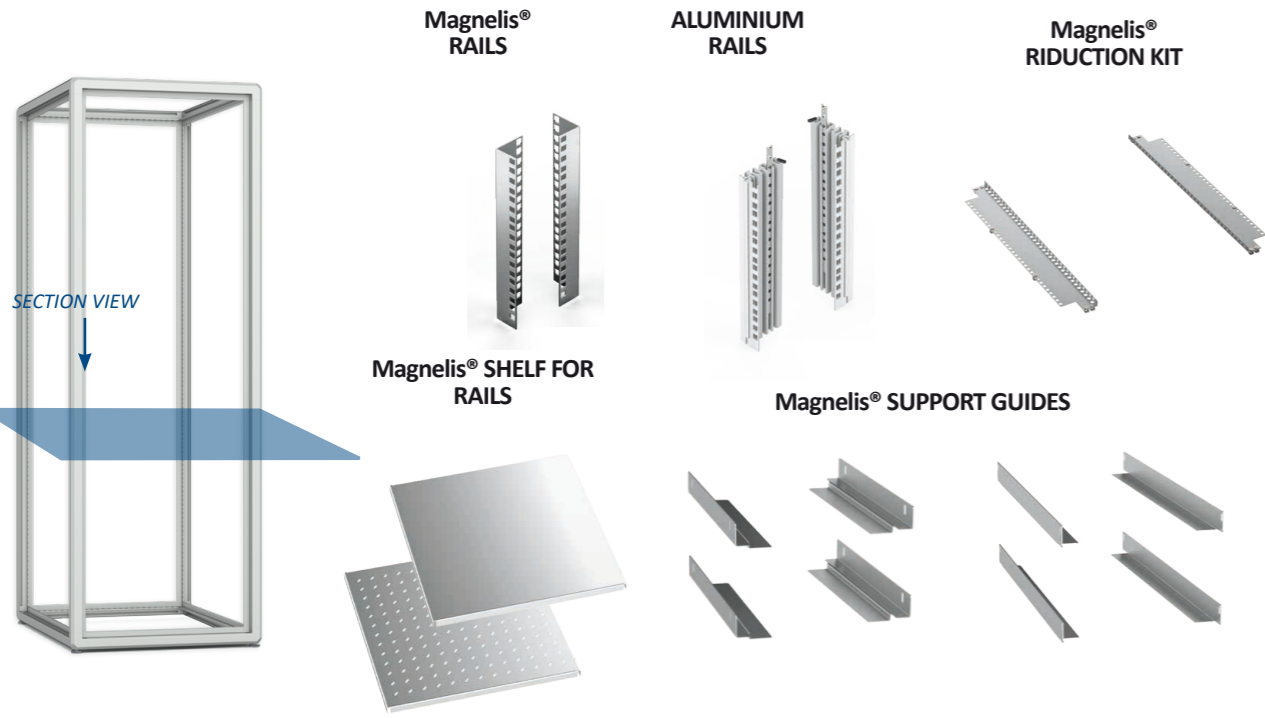
Pair of front rails + Pair of back rails with support guides



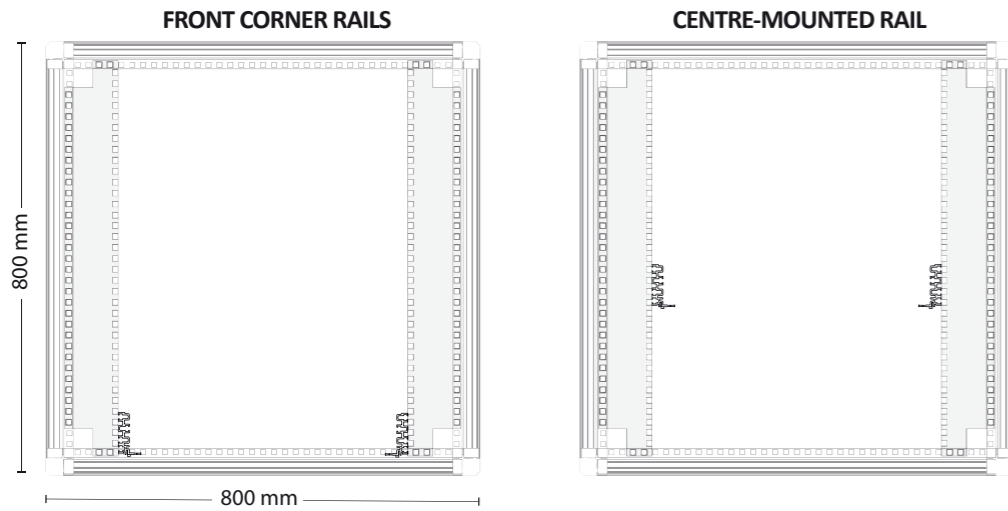
Three or four pair of rails



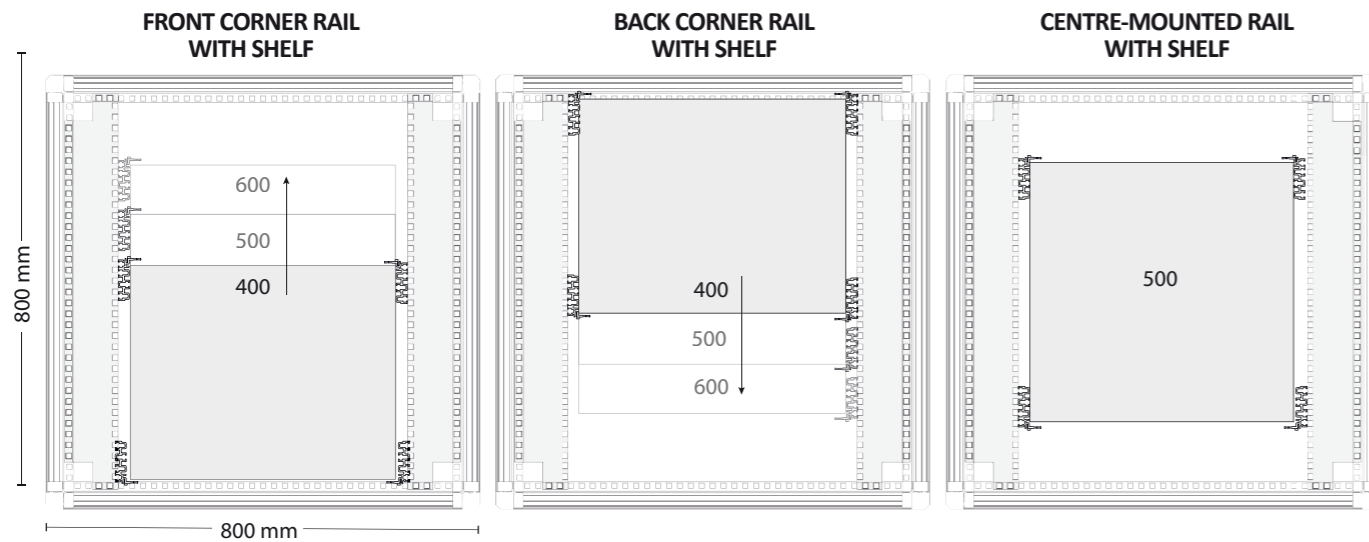
RACK 800 INTERNAL CONFIGURATION EXAMPLES



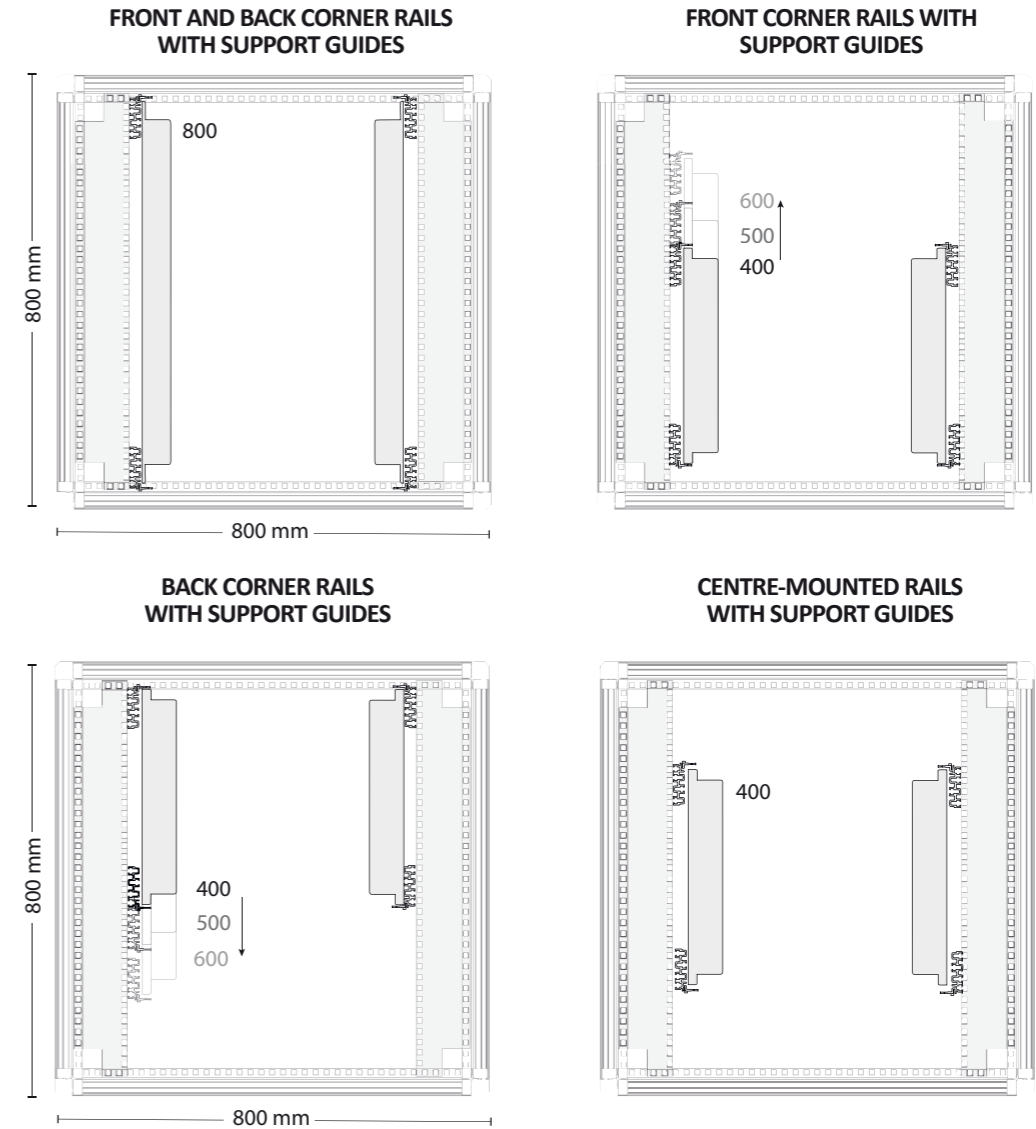
Pair of front rails



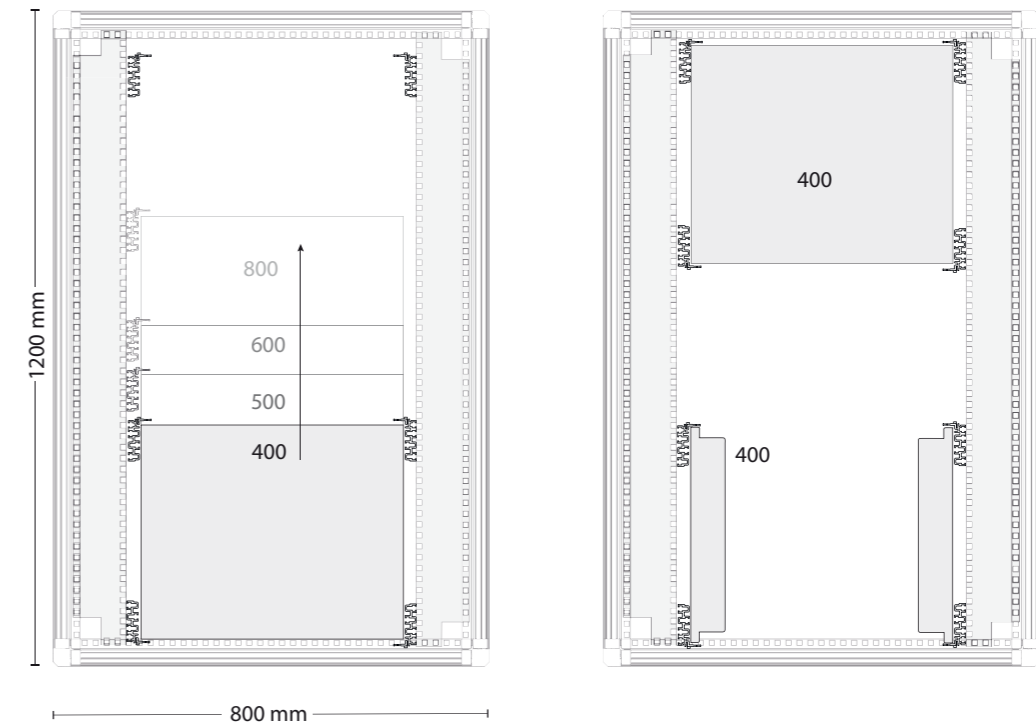
Pair of front rails + pair of rear rails with shelf



Pair of front rails + Pair of back rails with support guides



Tree or four pair of rails



Couple of Aluminium 19" rails T1



Couple of aluminium 19" rails
Painted RAL 7035

Useful Units	Purchase code
12	0101-0202-12
15	0101-0202-15
18	0101-0202-18
24	0101-0202-24
30	0101-0202-30
36	0101-0202-36
42	0101-0202-42

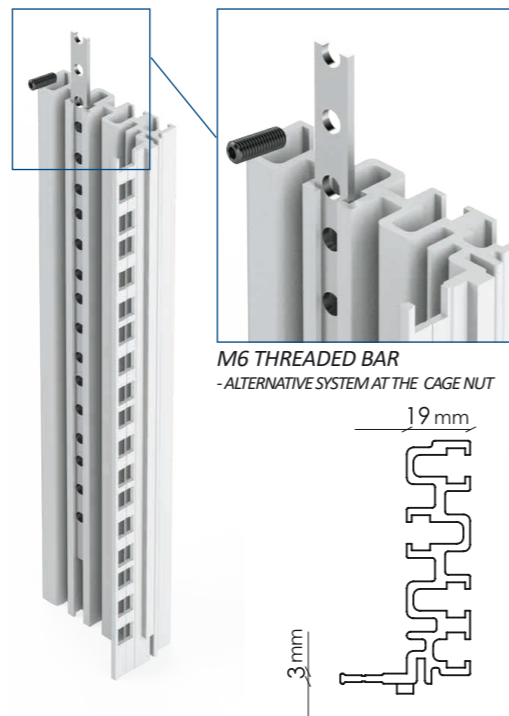
EPOXY POLYESTER POWDER COATED

Couple of aluminium 19" rails
Surtec 650

Useful Units	Purchase code
12	0101-0203-12
15	0101-0203-15
18	0101-0203-18
24	0101-0203-24
30	0101-0203-30
36	0101-0203-36
42	0101-0203-42

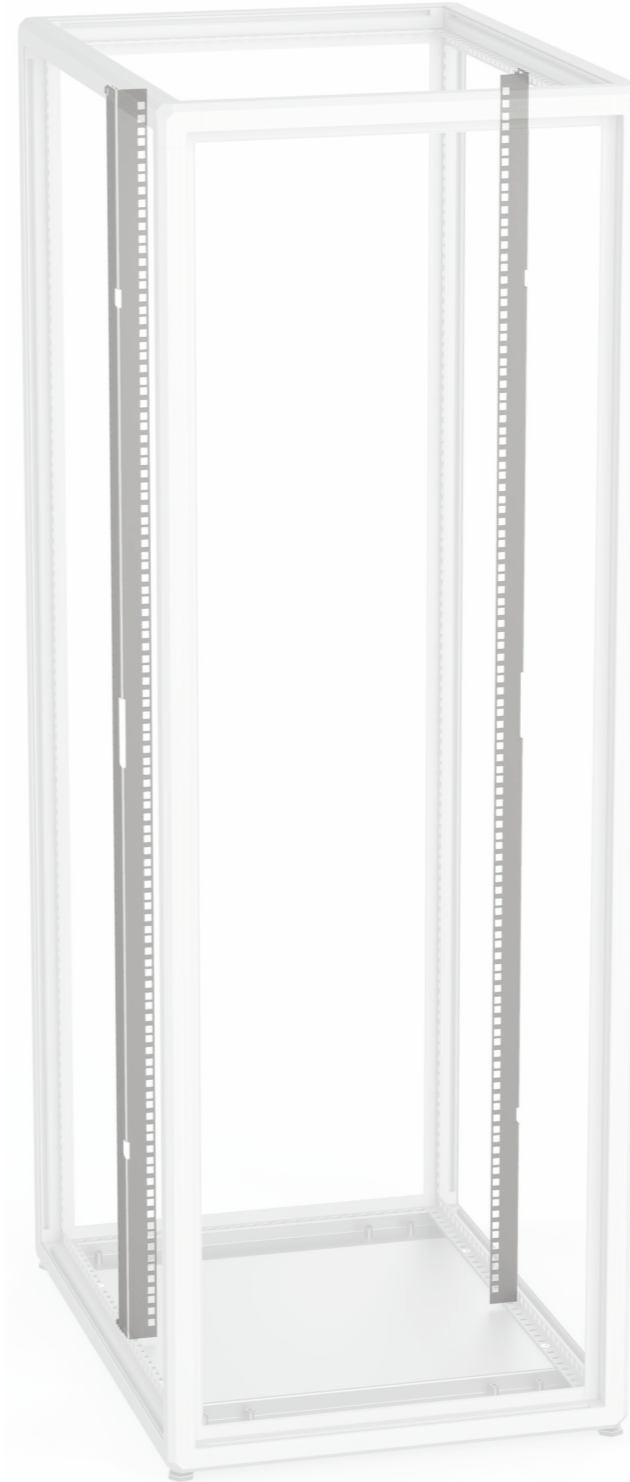
NEWS:

Aluminium profile detail:



Assembly kit and M6 threaded bar included

Couple of Magnelis® 19" rails T2



Couple of 19" rails

Useful Units	Purchase code
12	0101-0204-12
15	0101-0204-15
18	0101-0204-18
24	0101-0204-24
30	0101-0204-30
36	0101-0204-36
42	0101-0204-42

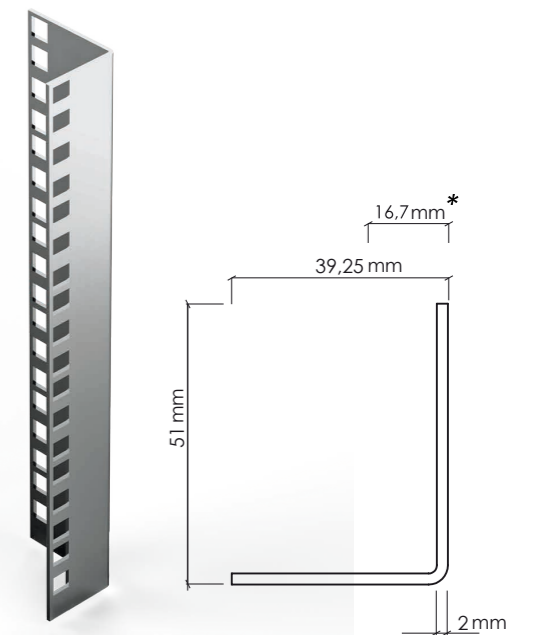
Assembly kit included

Couple of 19" rails for Alurack 550 mm*

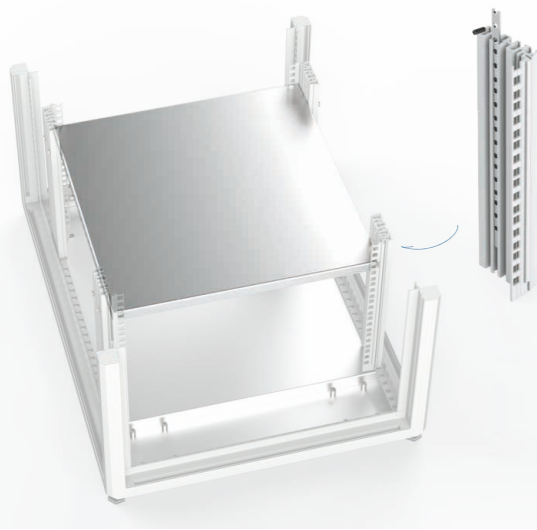
Useful Units	Purchase code
12	0101-0208-12
15	0101-0208-15
18	0101-0208-18
24	0101-0208-24
30	0101-0208-30
36	0101-0208-36
42	0101-0208-42

Assembly kit included

Magnelis® profile detail



Blank shelves, for 19"rails T1

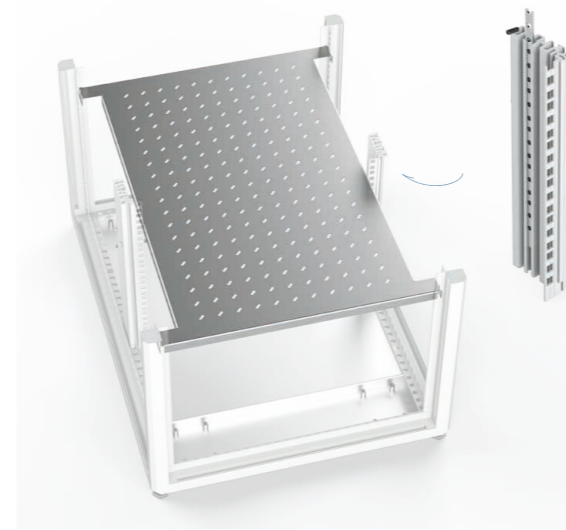


Rack depth mm	Useful depth mm	Purchase code
600	400	0101.0420.1160
700	500	0101.0420.1170
800	600	0101.0420.1180
1000	800	0101.0420.1110
1200	1000	0101.0420.1112

Magnelis® 15/10

Assembly kit included

Shelves with punched holes, for 19"rails T1 (Alurack 600 mm)

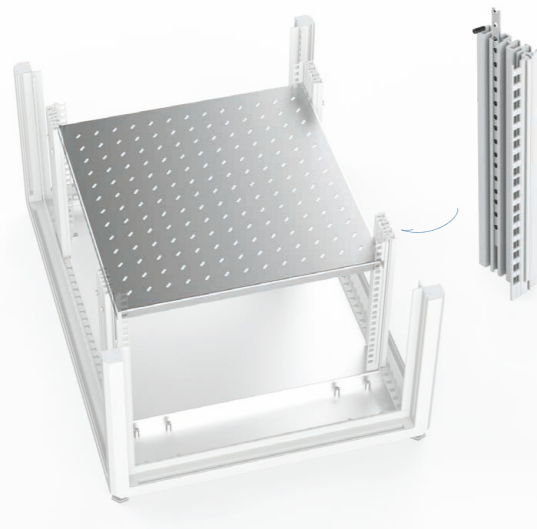


Rack depth mm	Useful depth mm	Purchase code
600	520	0101.0410.1160
700	620	0101.0410.1170
800	720	0101.0410.1180
1000	920	0101.0410.1110
1200	1120	0101.0410.1112

Magnelis® 15/10

Assembly kit included

Shelves with punched holes, for 19"rails T1



Rack depth mm	Useful depth mm	Purchase code
600	400	0101.0421.1160
700	500	0101.0421.1170
800	600	0101.0421.1180
1000	800	0101.0421.1110
1200	1000	0101.0421.1112

Magnelis® 15/10

Assembly kit included

Ventilated telescopic shelves , for 19"rails T1

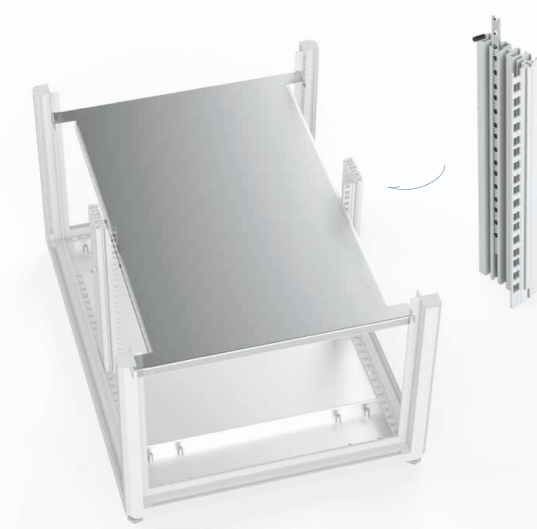


Rack depth mm	Useful depth mm	Guides code (included)	Purchase code
600	400	0505-1304-350	0101-0412-1160
700	500	0505-1304-500	0101-0412-1170
800	600	0505-1304-500	0101-0412-1180

Magnelis® 15/10

 19" Width
 Assembly kit included

Blank shelves, for 19"rails T1 (Alurack 600 mm)

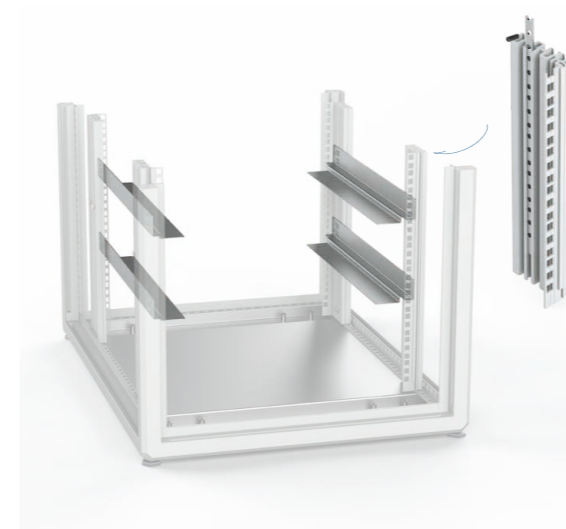


Rack depth mm	Useful depth mm	Purchase code
600	520	0101.0409.1160
700	620	0101.0409.1170
800	720	0101.0409.1180
1000	920	0101.0409.1110
1200	1120	0101.0409.1112

Magnelis® 15/10

Assembly kit included

Couple support guides type "C" , for 19"rails T1

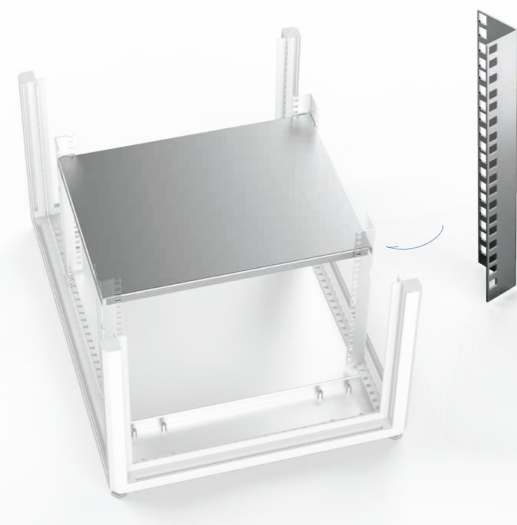


Rack depth mm	Useful depth mm	Purchase code
600	400	0101-0419-1160
700	500	0101-0419-1170
800	600	0101-0419-1180
1000	800	0101-0419-1110
1200	1000	0101-0419-1112

Magnelis® 15/10

Assembly kit included

Blank shelves, for 19"rails T2

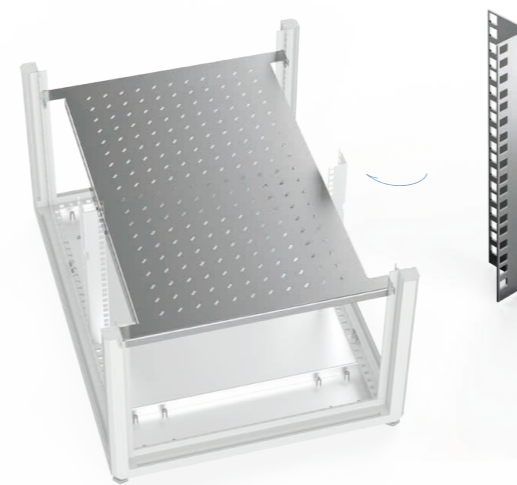


Rack depth mm	Useful depth mm	Purchase code
600	400	0101.0415.60
700	500	0101.0415.70
800	600	0101.0415.80
1000	800	0101.0415.10
1200	1000	0101.0415.12

Magnelis® 15/10

Assembly kit included

Shelves with punched holes, for 19"rails T2 (Alurack 600 mm)

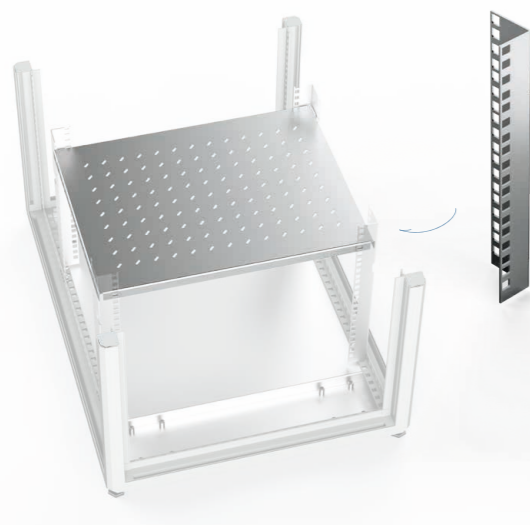


Rack depth mm	Useful depth mm	Purchase code
600	520	0101.0410.1160
700	620	0101.0410.1170
800	720	0101.0410.1180
1000	920	0101.0410.1110
1200	1120	0101.0410.1112

Magnelis® 15/10

Assembly kit included

Shelves with punched holes, for 19"rails T2



Rack depth mm	Useful depth mm	Purchase code
600	400	0101.0416.60
700	500	0101.0416.70
800	600	0101.0416.80
1000	800	0101.0416.10
1200	1000	0101.0416.12

Magnelis® 15/10

Assembly kit included

Ventilated telescopic shelves , for 19"rails T2

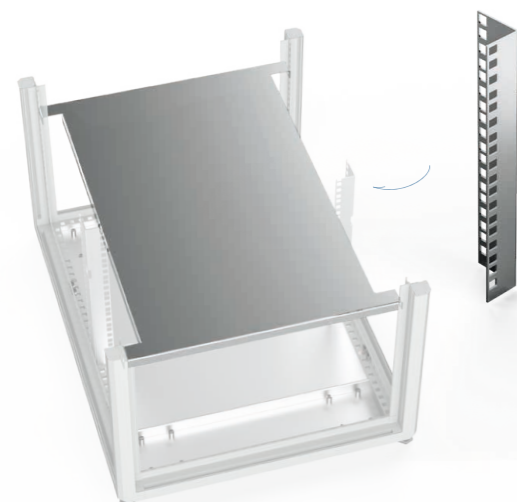


Rack depth mm	Useful depth mm	Guides code (included)	Purchase code
600	400	0505-1304-350	0101-0412-1160
700	500	0505-1304-500	0101-0412-1170
800	600	0505-1304-500	0101-0412-1180

Magnelis® 15/10

 19" Width
 Assembly kit included

Blank shelves, for 19"rails T2 (Alurack width 600 mm)

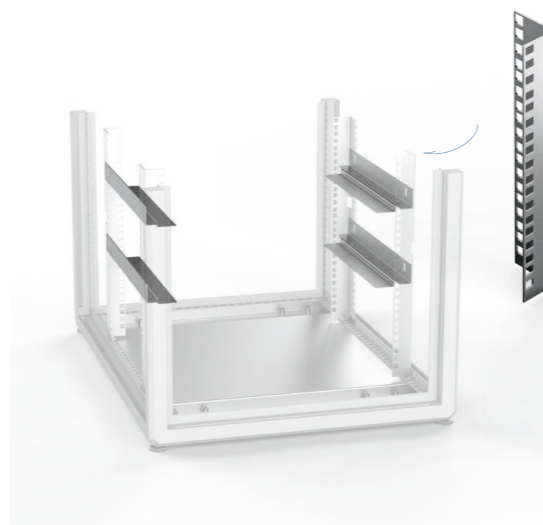


Rack depth mm	Useful depth mm	Purchase code
600	520	0101.0409.1160
700	620	0101.0409.1170
800	720	0101.0409.1180
1000	920	0101.0409.1110
1200	1120	0101.0409.1112

Magnelis® 15/10

Assembly kit included

Couple support guides type "B" , for 19"rails T2

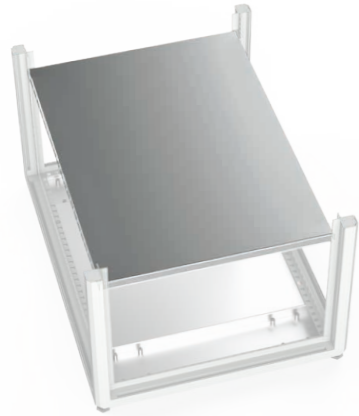


Rack depth mm	Useful depth mm	Purchase code
600	400	0101-0404-1160
700	500	0101-0404-1170
800	600	0101-0404-1180
1000	800	0101-0404-1110
1200	1000	0101-0404-1112

Magnelis® 15/10

Assembly kit included

Blank shelves, for vertical profiles

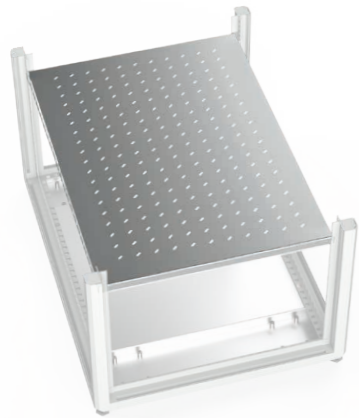


Rack depth mm	Useful depth mm	Purchase code		
		Rack width 550 mm	Rack width 600 mm	Rack width 800 mm
600	520	0101.0407.1060	0101.0407.6060	0101.0407.8060
700	620	0101.0407.1070	0101.0407.6070	0101.0407.8070
800	720	0101.0407.1080	0101.0407.6080	0101.0407.8080
1000	920	0101.0407.1010	0101.0407.6010	0101.0407.8010
1200	1120	0101.0407.1012	0101.0407.6012	0101.0407.8012

Magnelis® 15/10

Assembly kit included

Ventilated shelves, for vertical profiles

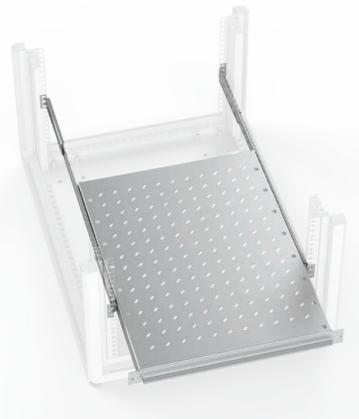


Rack depth mm	Useful depth mm	Purchase code		
		Rack width 550 mm	Rack width 600 mm	Rack width 800 mm
600	520	0101.0408.1060	0101.0408.6060	0101.0408.8060
700	620	0101.0408.1070	0101.0408.6070	0101.0408.8070
800	720	0101.0408.1080	0101.0408.6080	0101.0408.8080
1000	920	0101.0408.1010	0101.0408.6010	0101.0408.8010
1200	1120	0101.0408.1012	0101.0408.6012	0101.0408.8012

Magnelis® 15/10

Assembly kit included

Ventilated telescopic shelves , for main profile



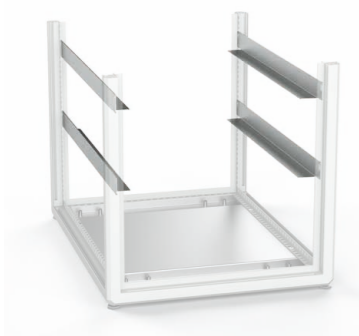
Rack depth mm	Useful depth mm	Guides code (included)	Purchase code
600	400	0505-1304-350	0101-0412-1160
700	500	0505-1304-500	0101-0412-1170
800	600	0505-1304-500	0101-0412-1180

Magnelis® 15/10

19" Width

Assembly kit included

Couple support guides type "A"(Alurack direct connection)



Rack depth mm	Useful depth mm	Purchase code
600	520	0101-0403-1060
700	620	0101-0403-1070
800	720	0101-0403-1080
1000	920	0101-0403-1010
1200	1120	0101-0403-1012

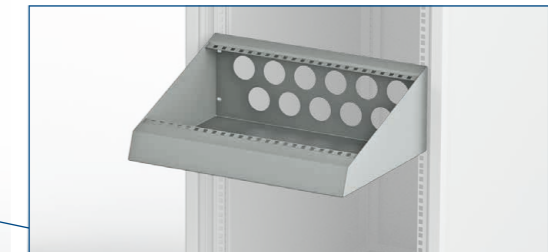
Magnelis® 15/10

Assembly kit included

19" Console



Purchase code
0101.0411

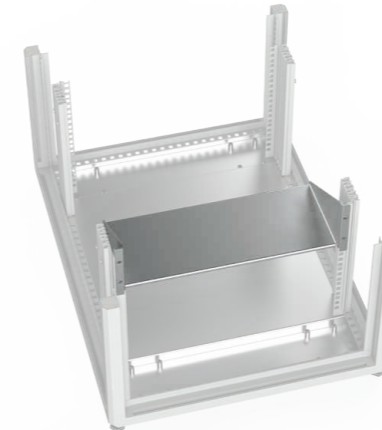


Steel 15/10 Painted ral 7035

EPOXY POLYESTER POWDER COATED

Assembly kit included

19" Blank shelves



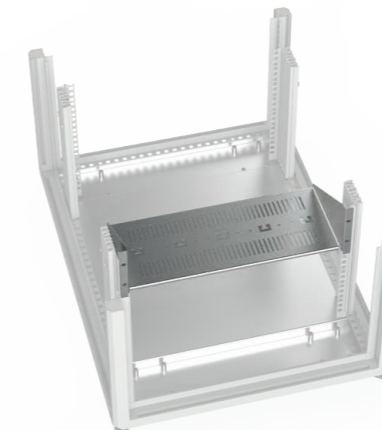
Useful Units	Useful depth mm	Purchase code
2	200	0101.0414.0220
2	300	0101.0414.0230
2	400	0101.0414.0240
3	200	0101.0414.0320
3	300	0101.0414.0330
3	400	0101.0414.0340

Steel 20/10 Painted ral 7035

EPOXY POLYESTER POWDER COATED

Assembly kit included

19" Ventilated shelves



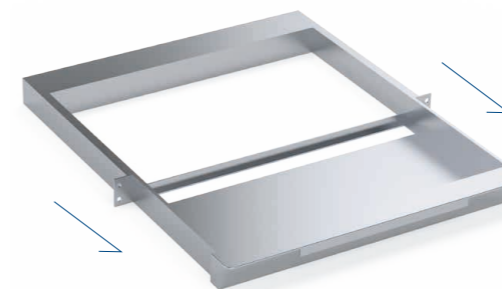
Useful Units	Useful depth mm	Purchase code
2	200	0101.0413.0220
2	300	0101.0413.0230
2	400	0101.0413.0240
3	200	0101.0413.0320
3	300	0101.0413.0330
3	400	0101.0413.0340

Steel 20/10 Painted ral 7035

EPOXY POLYESTER POWDER COATED

Assembly kit included

Drawer 19" for keyboard

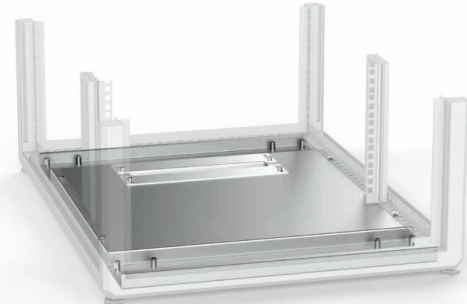


Unità	Purchase code
1	0505.3301.01

Steel 20/10

Assembly kit included

Standard base plate with cable ducting

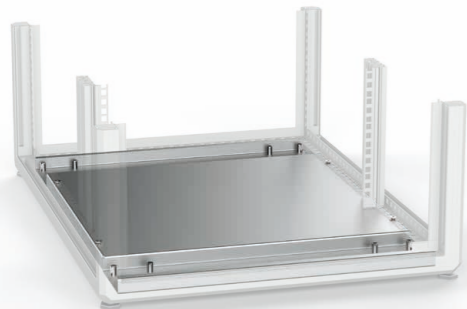


Rack Depth mm	Purchase code		
	Rack Width 550 mm	Rack Width 600 mm	Rack Width 800 mm
600	0101-2403-5560	0101-2403-6060	0101-2403-8060
700	0101-2403-5570	0101-2403-6070	0101-2403-8070
800	0101-2403-5580	0101-2403-6080	0101-2403-8080
1000	0101-2403-5510	0101-2403-6010	0101-2403-8010
1200	0101-2403-5512	0101-2403-6012	0101-2403-8012

Magnelis® 20/10

Assembly kit included

Standard blank base plate

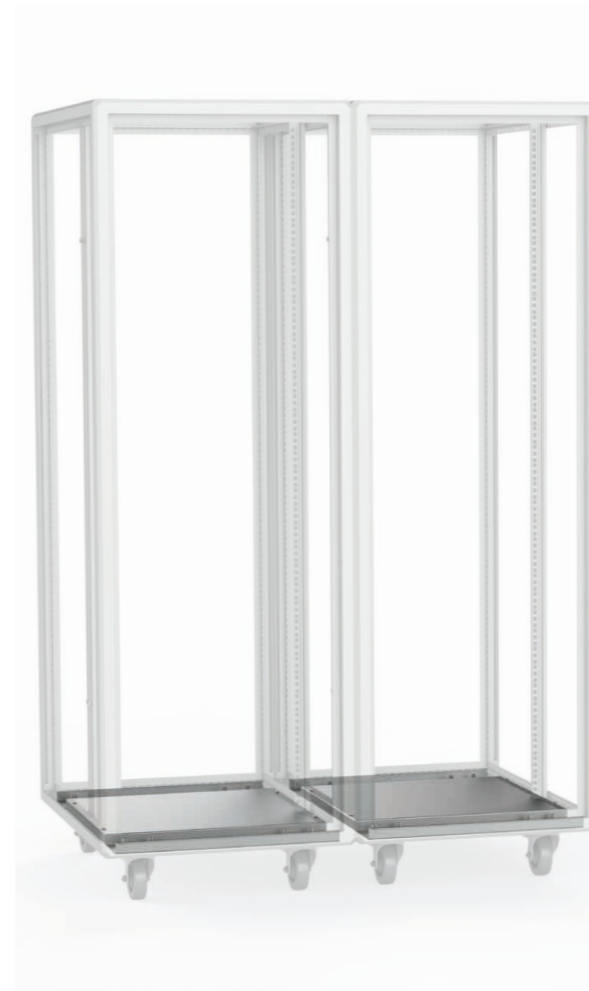


Rack Depth mm	Purchase code		
	Rack width 550 mm	Rack width 600 mm	Rack width 800 mm
600	0101-2402-5560	0101-2402-6060	0101-2402-8060
700	0101-2402-5570	0101-2402-6070	0101-2402-8070
800	0101-2402-5580	0101-2402-6080	0101-2402-8080
1000	0101-2402-5510	0101-2402-6010	0101-2402-8010
1200	0101-2402-5512	0101-2402-6012	0101-2402-8012

Magnelis® 20/10

Assembly kit included

Base plates for side by side mounting with wheels predisposition



Base plate with cable ducting

Rack depth mm	Purchase code		
	Rack width 550 mm	Rack width 600 mm	Rack width 800 mm
600	0101-2404-5560	0101-2404-6060	0101-2404-8060
700	0101-2404-5570	0101-2404-6070	0101-2404-8070
800	0101-2404-5580	0101-2404-6080	0101-2404-8080
1000	0101-2404-5510	0101-2404-6010	0101-2404-8010
1200	0101-2404-5512	0101-2404-6012	0101-2404-8012

Magnelis® 20/10

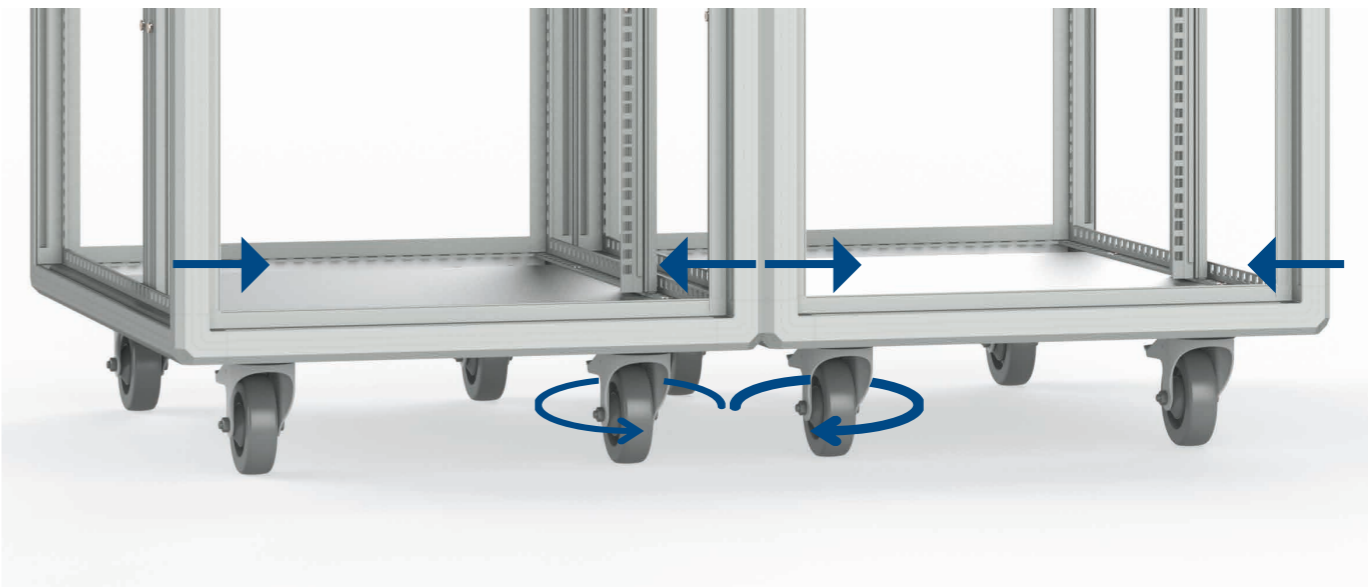
Blank base plates

Rack depth mm	Purchase code		
	Rack width 550 mm	Rack width 600 mm	Rack width 800 mm
600	0101-2401-5560	0101-2401-6060	0101-2401-8060
700	0101-2401-5570	0101-2401-6070	0101-2401-8070
800	0101-2401-5580	0101-2401-6080	0101-2401-8080
1000	0101-2401-5510	0101-2401-6010	0101-2401-8010
1200	0101-2401-5512	0101-2401-6012	0101-2401-8012

Magnelis® 20/10

Assembly kit included


The wheel mounts have been spaced in order to allow wheel rotation also in case of cabinet battery mount.



Kit ruote

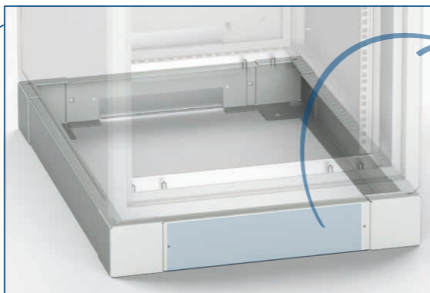
SEE PG. 61

Modular base




Rack depth mm	H mm	Purchase code		
		Rack width 550 mm	Rack width 600 mm	Rack width 800 mm
600	100	0101-0502-5560	0101-0502-6060	0101-0502-8060
700	100	0101-0502-5570	0101-0502-6070	0101-0502-8070
800	100	0101-0502-5580	0101-0502-6080	0101-0502-8080
1000	100	0101-0502-5510	0101-0502-6010	0101-0502-8010
1200	100	0101-0502-5512	0101-0502-6012	0101-0502-8012

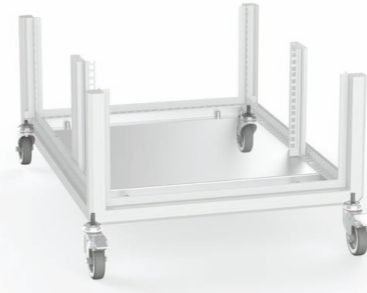
Steel 20/10 painted RAL 7035
EPOXY POLYESTER POWDER COATED



Detachable panel for enclosure displacement



Wheels ø 60 mm kit for frame




Code kit	N° for kit	Description	Payload daN	h mm	Purchase code
0505-3804-60	2	Rotating wheels with brake	40	127	0505.3804.60
	2	Rotating wheels	40	127	0505.3803.60
	4	M 10x30 Allen head	\	\	1000.0101.1030
	4	Grover M 10	\	\	1000.0302.10

Double spherical ball bearing / rubber + propylene bearing

Caster wheels any type

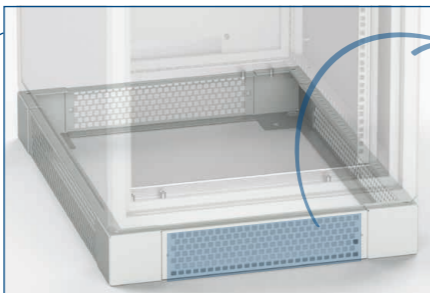
SEE
PG. 78

Modular ventilated base




Rack depth mm	H mm	Purchase code		
		Rack width 550 mm	Rack width 600 mm	Rack width 800 mm
600	100	0101-0505-5560	0101-0505-6060	0101-0505-8060
700	100	0101-0505-5570	0101-0505-6070	0101-0505-8070
800	100	0101-0505-5580	0101-0505-6080	0101-0505-8080
1000	100	0101-0505-5510	0101-0505-6010	0101-0505-8010
1200	100	0101-0505-5512	0101-0505-6012	0101-0505-8012

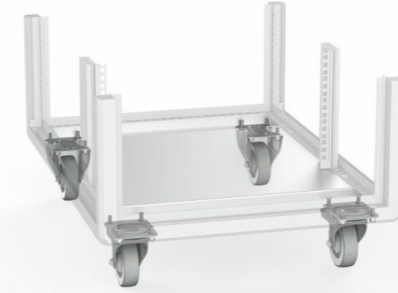
Steel 20/10 painted RAL 7035
EPOXY POLYESTER POWDER COATED



Detachable panel for enclosure displacement



Wheels ø 100 mm kit for base plate



Code kit	N° for kit	Description	Payload in daN	h mm	Purchase code
0505-3802-100	2	Rotating wheels with brake - 4 holes flange	150	127	0505.3802.100
	2	Fixed wheels - 4 holes flange	150	127	0505.3805.100
	16	M 8x20 Allen head	\	\	1000.0101.0820
	16	Grover M8	\	\	1000.0302.08

Double spherical ball bearing / rubber + propylene bearing

Caster wheels any type

SEE
PG. 78

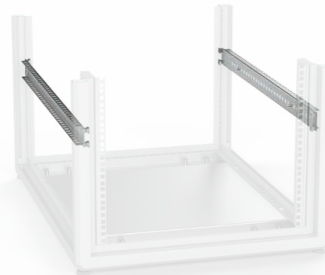
Wiring plates



Useful Units	Purchase code		
	Width 550	Width 600	Width 800
12	0101.1001.1255	0101.1001.1260	0101.1001.1280
15	0101.1001.1555	0101.1001.1560	0101.1001.1580
18	0101.1001.1855	0101.1001.1860	0101.1001.1880
24	0101.1001.2455	0101.1001.2460	0101.1001.2480
30	0101.1001.3055	0101.1001.3060	0101.1001.3080
36	0101.1001.3655	0101.1001.3660	0101.1001.3680
42	0101.1001.4255	0101.1001.4260	0101.1001.4280

Magnelis® 20/10

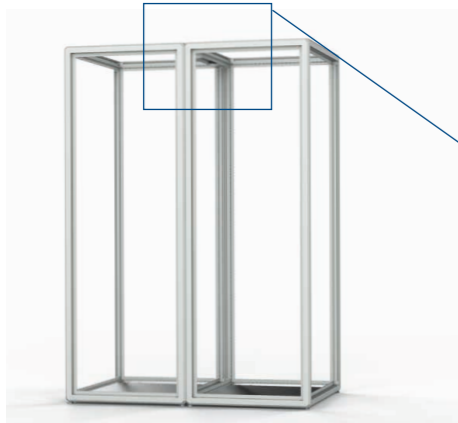
Support profiles for wiring plates



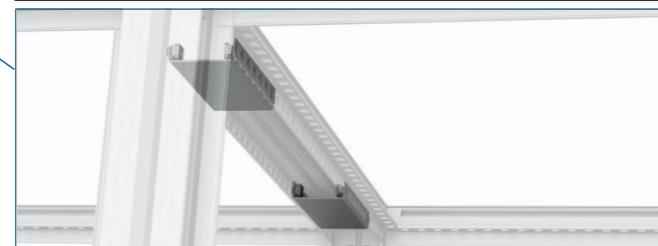
Rack depth mm	Purchase code
600	0101-0401-0260
700	0101-0401-0270
800	0101-0401-0280
1000	0101-0401-0210
1200	0101-0401-0212

Magnelis® 15/10

U struts for side by side mounting Kit



N° rack	N° struts for kit	Purchase code
2	6	0101-1204-01
3	12	0101-1204-02



Magnelis® 15/10

Circuit breakers panels kit



Useful Units	Width rack	Anodized	Painted
3	550	0505-7802-0355	0505-7803-0355
3	600	-	0505-7803-0360*



Aluminium 15/10 painted-anodized

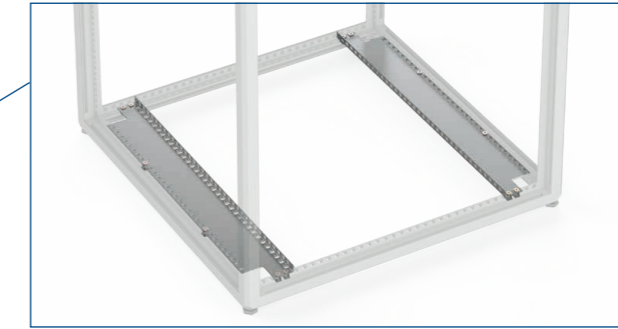
* Assembly kit and mounting template included

Reduction kit - 19" rack installation kit for 800 mm Alurack



Rack depth mm	Purchase code
600	0101-0402-60
700	0101-0402-70
800	0101-0402-80
1000	0101-0402-10
1200	0101-0402-12

Magnelis® 20/10



Cover cable kit for Alurack 800



Useful Units	Purchase code
12	0101-0211-12
15	0101-0211-15
18	0101-0211-18
24	0101-0211-24
30	0101-0211-30
36	0101-0211-36
42	0101-0211-42

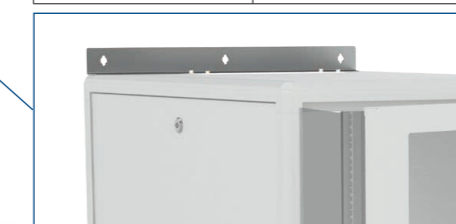
Steel 15/10 painted ral 7035

Assembly kit included

Wall fixing brackets



Width mm	Purchase code
550	0101.1203.55
600	0101.1203.60
800	0101.1203.80

Steel 20/10 painted ral 7035
EPOXY POLYESTER POWDER COATED

Horizontal finishing flanges



Purchase code

0101.0209.60

Aluminium 15/10 anodized

For 600 Alurack

Vertical finishing flanges



Useful Units

Purchase code

12

0101.0210.12

15

0101.0210.15

18

0101.0210.18

24

0101.0210.24

30

0101.0210.30

36

0101.0210.36

42

0101.0210.42

Aluminium 15/10 anodized

For 600 Alurack

Horizontal inside profiles



Rack width mm

Purchase code

600

0101.0418.60

800

0101.0418.80

Magnelis® 15/10



Adjustable foot



Size

M 10

Payload kg

50

Purchase code

0505.2301

Zinc-plated steel 8.8 and plastic base

The code refers to the single foot

Screws kit



N° for kit

Description

Purchase code

50

Cage nut M4

1000-1000-04

50

Cage nut M5

1000-1000-05

50

Cage nut M6

1000-1000-06

Phillips head screw with black plastic washer and cage nut

*Cage nuts: M4-M5-M6

SEE
PG. 72

Eyebolts with split washers and mounting instructions



N° for kit

Payload kg

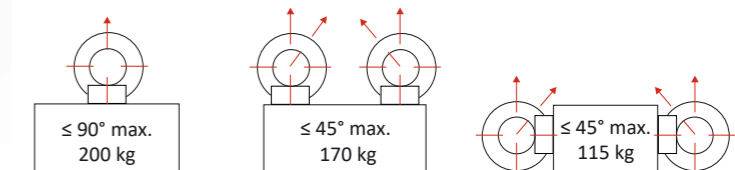
Purchase code

4

50

0505-2501-10

White galvanized steel 8.8 C15E



Alignment block and door support



Purchase code

0505.8601

Polycarbonate PC UL 94



Thermocontrolled Ventilation unit - 3 fans 220 V AC 50 Hz



Purchase code

0505.3007.220

Dimensions	482,8 x 220 x 44 mm
Consumption	28,8 W
Voltage	40 V DC (1 s)
Fan rotation control	SI
Power control	SI
Degree of protection	IP20
Noise	48 dB each fan
Indicators and warnings	Led red on front panel
Air flow rate	600 m ³ /h
Operative temperature	-10 ÷ +70°C
Storage temperature	-40°C ÷ +70°C
MTBF Fan	> 65.000 hrs @ 40°C

Thermocontrolled Ventilation unit - 6 fans 48V DC ± 15%



Purchase code

0505.3004.48

Dimensions	482,8 x 385 x 44 mm
Consumption	35 W
Degree of protection	IP20
Noise	48 dB each fan
Air flow rate	1170 m ³ /h (195 m ³ /h each fan)
Indicators and warnings	Led green "Power ON" indicate the presence of voltage Led green "Fan ON" Led red "Fan Failure" indicates that one of the fans is fault
Operative temperature	-10 ÷ +70°C
Storage temperature	-40°C ÷ +70°C
MTBF Fan	> 70.000 hrs @ 40°C

Thermocontrolled Ventilation unit - 6 fans 220V AC 50 Hz



Purchase code

0505.3004.220

Dimensions	482,8 x 385 x 44 mm
Consumption	35 W
Degree of protection	IP20
Noise	48 dB each fan
Air flow rate	1170 m ³ /h (195 m ³ /h single fan)
Indicators and warnings	Led green "Power ON" indicate the presence of voltage Led green "Fan ON" Led red "Fan Failure" indicates that one of the fans is fault
Operative temperature	-10 ÷ +70°C
Storage temperature	-40°C ÷ +70°C
MTBF Fan	> 70.000 hrs @ 40°C

Thermocontrolled Ventilation unit - 8 fans 48 V DC ± 15%



Purchase code

0505.3005.48

Dimensions	482,8 x 220 x 44 mm
Consumption	25 W
Fan rotation control	SI
Degree of protection	IP20
Noise	32 dB each fan
Indicators and warnings	Led red on front panel
Air flow rate	672 m ³ /h
Operative temperature	-10 ÷ +70°C
Storage temperature	-40°C ÷ +70°C
MTBF Fan	> 70.000 hrs @ 40°C

Fan and filter IP54 150x150 V230



Purchase code

0505.3401.1515

Fan: Aluminium
Filter: Synthetic fiber

Fan 38 V230 120x120



Purchase code

0505.3402.230

Fan: Aluminium
Rotore: metal

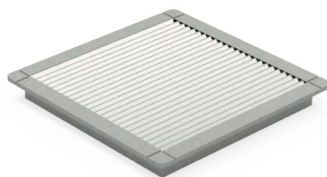
Fan cable



Purchase code

0505.3402.1000

Filter Ip54 150x150



Purchase code

0505.3403.1515

Synthetic fiber

Filter Ip54 250x250

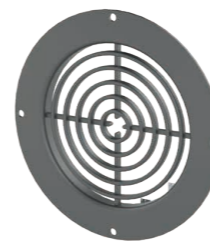


Purchase code

0505.3403.2525

Synthetic fiber

Self-extinguishing plastic grid Ø 170 mm



Purchase code

0505.3501

Black plastic

Yellow and green cables 6 mm²

lunghezza mm

500

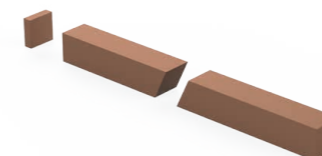
Purchase code

0505.5301.05

1000

0505.5301.10

3x10 mm Ground bar



Unità

1

Purchase code

0505.4401.01

15

0505.4401.15

24

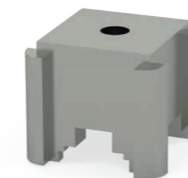
0505.4401.24

48

0505.4401.48

Copper 3x10

Ground bar fixing



Purchase code

0505.4701

Plastic

6 mm² Ground clamp

Purchase code

0505.4601.06

Galvanized steel

35 mm² Ground clamp

Purchase code

0505.4601.35

Galvanized steel

Faston male



Purchase code

0505.5401

Pound

Female crimp receptacle connector



Purchase code

0505.5601

Plastic

150W 230V Anti condensation heater and thermostat



Purchase code

0505.6801.150

Casing: black plastic UL94 V-0

150W 230V Anti condensation heater



Purchase code

0505.6802.150

Casing: black plastic UL94 V-0

Thermostat -10C + 50C NC contact



Purchase code

0505.6803.1050

Casing: plastic grey UL94 V-0

Thermostat -10C + 50C NA contact



Purchase code

0505.6804.1050

Casing: grey plastic UL94 V-0

Rack led 100-240 V



Purchase code

0505.6806.1024

Plastic

Rack led 24-48 V



Purchase code

0505.6806.2448

Plastic

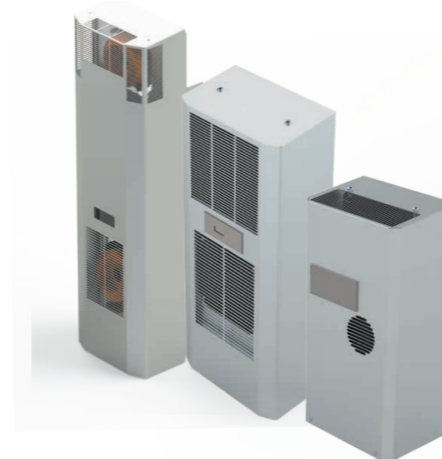
Thermoelectric chillers (Peltier effect)



Alimentation	Nominal power	Weight	Operating temperature	Purchase code
24 V DC	100 W	2,5 kg	-40÷70°C	0505.8701.100
24 V DC	200 W	5 kg	-40÷70°C	0505.8701.200
24 V DC	400 W	10 kg	-40÷70°C	0505.8701.400

Use of semiconductor materials and copper

Rack air conditioners

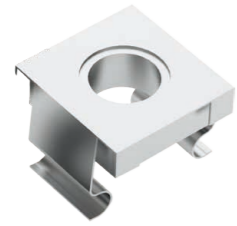


Nominal tension	Cooling capacity	Weight	Purchase code
115 V	500 W	22 kg	0505.8702.500
230 V	1000 W	51 kg	0505.8702.1000
230 V	1500 W	51 kg	0505.8702.1500
230 V	2000 W	71kg	0505.8702.2000

Galvanized steel RAL 7035

Drawer for 19" rack cabinets built in accordance with standards IEC 60297 - DIN 41494 . There are two versions: fixed or telescopic. They are used to hold terminal blocks, transformers and electromechanical components in general.

Cage nuts



Size	Metal sheet thickness mm	Purchase code
M4	0,7-1,6	1000.0403.04
M4	1,2-1,6	1000.0403.0402
M5	0,7-1,6	1000.0403.05
M6	0,7-1,6	1000.0403.06

Nut: White galvanized steel
Cage: Stainless steel

Document box



Purchase code
0505.8801

Plastic

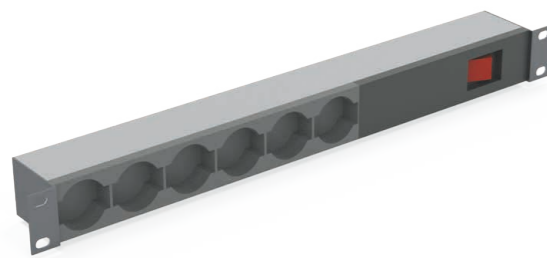
19" Blank drawer kit



Unit Height	Depth mm	Purchase code	
		Fixed	Telescopic
2	260	1010-0101-0226	1010-0201-0226
2	360	1010-0101-0236	1010-0201-0236
2	460	1010-0101-0246	1010-0201-0246
3	260	1010-0101-0326	1010-0201-0326
3	360	1010-0101-0336	1010-0201-0336
3	460	1010-0101-0346	1010-0201-0346
4	260	1010-0101-0426	1010-0201-0426
4	360	1010-0101-0436	1010-0201-0436
4	460	1010-0101-0446	1010-0201-0446
5	260	1010-0101-0526	1010-0201-0526
5	360	1010-0101-0536	1010-0201-0536
5	460	1010-0101-0546	1010-0201-0546
6	260	1010-0101-0626	1010-0201-0626
6	360	1010-0101-0636	1010-0201-0636
6	460	1010-0101-0646	1010-0201-0646

Structure: Magnelis® 15/10 - Front: Anodized aluminium 30/10

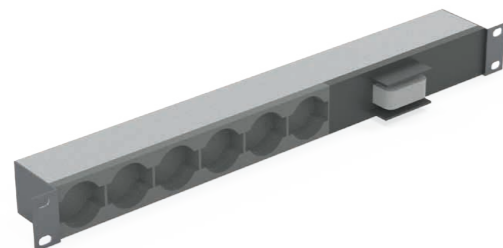
19" 1x6 socket strip with light switch



Purchase code
0505.3102.0106

Cable included

19" 1x6 socket strip circuit breakers (16A)



Purchase code
0505.3103.0106

Cable included

19" Ventilated drawer kit



Unit Height	Depth mm	Purchase code	
		Fixed	Telescopic
2	260	1010-0102-0226	1010-0202-0226
2	360	1010-0102-0236	1010-0202-0236
2	460	1010-0102-0246	1010-0202-0246
3	260	1010-0102-0326	1010-0202-0326
3	360	1010-0102-0336	1010-0202-0336
3	460	1010-0102-0346	1010-0202-0346
4	260	1010-0102-0426	1010-0202-0426
4	360	1010-0102-0436	1010-0202-0436
4	460	1010-0102-0446	1010-0202-0446
5	260	1010-0102-0526	1010-0202-0526
5	360	1010-0102-0536	1010-0202-0536
5	460	1010-0102-0546	1010-0202-0546
6	260	1010-0102-0626	1010-0202-0626
6	360	1010-0102-0636	1010-0202-0636
6	460	1010-0102-0646	1010-0202-0646

Structure: Magnelis® 15/10 - Front: Anodized aluminium 30/10

Blank base plates for 19" drawer



Depth mm	Purchase code
260	1010.0901.26
360	1010.0901.36
460	1010.0901.46

Magnelis® 15/10

Ventilated base plates for 19" drawer



Depth mm	Purchase code
260	1010.0902.26
360	1010.0902.36
460	1010.0902.46

Magnelis® 15/10

Blank top panels for 19" drawers



Depth mm	Purchase code
260	1010.1001.26
360	1010.1001.36
460	1010.1001.46

Magnelis® 15/10

Ventilated top panels for 19" drawers



Depth mm	Purchase code
260	1010.1002.26
360	1010.1002.36
460	1010.1002.46

Magnelis® 15/10

Blank side panels 19" drawer



Unit Height	Depth mm	Purchase code
2	260	1010.0701.0226
2	360	1010.0701.0236
2	460	1010.0701.0246
3	260	1010.0701.0326
3	360	1010.0701.0336
3	460	1010.0701.0346
4	260	1010.0701.0426
4	360	1010.0701.0436
4	460	1010.0701.0446
5	260	1010.0701.0526
5	360	1010.0701.0536
5	460	1010.0701.0546
6	260	1010.0701.0626
6	360	1010.0701.0636
6	460	1010.0701.0646

Magnelis® 15/10

Ventilated side panels for 19" drawer



Unit Height	Depth mm	Purchase code
2	260	1010.0702.0226
2	360	1010.0702.0236
2	460	1010.0702.0246
3	260	1010.0702.0326
3	360	1010.0702.0336
3	460	1010.0702.0346
4	260	1010.0702.0426
4	360	1010.0702.0436
4	460	1010.0702.0446
5	260	1010.0702.0526
5	360	1010.0702.0536
5	460	1010.0702.0546
6	260	1010.0702.0626
6	360	1010.0702.0636
6	460	1010.0702.0646

Magnelis® 15/10

Front panels with handle holes



Height in U	TE	Purchase code
2	84	0505.2908.1002
3	84	0505.2908.1003
4	84	0505.2908.1004
5	84	0505.2908.1005
6	84	0505.2908.1006

Aluminium 30/10

Use with handle provided separately

Rear panels for drawers 19"



Unit Height	Purchase code
2	1010.0801.02
3	1010.0801.03
4	1010.0801.04
5	1010.0801.05
6	1010.0801.06

Magnelis® 15/10

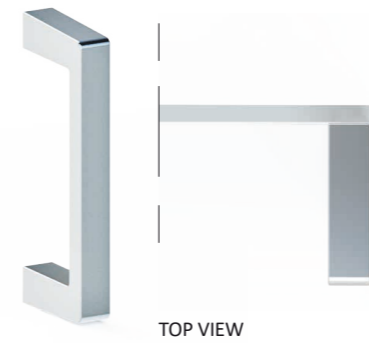
Telescopic rails for drawers



Depth drawers mm	Purchase code
260	0505-1304-350
360	0505-1304-500
460	0505-1304-600

Galvanized steel

Extruded handles



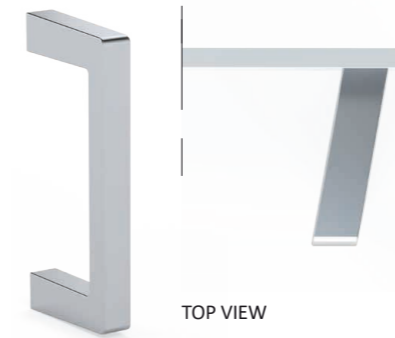
U	Hole type	Handle thickness mm	Wheelbase mm	Purchase code
2	M4	12	45	0505.0701.0212
3	M4	12	88	0505.0701.0312
4	M4	12	133.4	0505.0701.0412
5	M4	12	133.4	0505.0701.0412
6	M4	12	133.4	0505.0701.0412

Extruded aluminium EN AW 6060 T6 - Anodized

The code refers to the single handle

Upon request M5

Extruded handles inclined 10°



U	Hole type	Handle thickness mm	Wheelbase mm	Purchase code
3	M4	12	88	0505.0703.0312
4	M4	12	133.4	0505.0703.0412
5	M4	12	133.4	0505.0703.0412
6	M4	12	133.4	0505.0703.0412

Extruded aluminium EN AW 6060 T6 - Anodized

The code refers to the single handle

Upon request M5

Round handles



U	Hole type	Ø Handle mm	Wheelbase mm	Purchase code
3	M4	8	88	0505.0704.0308
4	M4	8	133.4	0505.0704.0408
5	M4	8	133.4	0505.0704.0408
6	M4	8	133.4	0505.0704.0408

Aluminium

The code refers to the single handle

Round handles (Stainless steel)



U	Hole type	Ø Handle mm	Wheelbase mm	Purchase code
3	M4	8	88	0505.0711.0308
4	M4	8	133.4	0505.0711.0408
5	M4	8	133.4	0505.0711.0408
6	M4	8	133.4	0505.0711.0408

Stainless steel

The code refers to the single handle

Single rotating wheels with brake, fixing with hole



Payload daN	Ø wheel mm	total h mm	Purchase code
40	60	87	0505.3804.60
80	100	131	0505.3804.100

Double-turn ball bearing rubber with propylene

Single rotating wheels, fixing with hole



Payload daN	Ø wheel mm	total h mm	Purchase code
40	60	87	0505.3803.60
80	100	131	0505.3803.100

Double-turn ball bearing rubber with propylene

Single rotating wheels with brake, fixing with flange



Payload daN	Ø wheel mm	total h mm				Purchase code
40	60	87	65x50	50x36	6,5	0505.3802.60
150	100	128	105x85	80x60	9	0505.3802.100
200	125	155	105x85	80x60	9	0505.3802.125

Double-turn ball bearing rubber with propylene

Single rotating wheels, fixing with flange



Payload daN	Ø wheel mm	total h mm				Purchase code
40	60	87	65x50	50x36	6,5	0505.3801.60
150	100	128	105x85	80x60	9	0505.3801.100
200	125	155	105x85	80x60	9	0505.3801.125

Double-turn ball bearing rubber with propylene

Single wheels with flange



Payload daN	Ø wheel mm	total h mm				Purchase code
150	100	128	105x85	80x60	9	0505.3805.100
200	125	155	105x85	80x60	9	0505.3805.125

Double-turn ball bearing rubber with propylene

Allen head screw



Size	Purchase code
Ø 10 x 30	1000.0101.1030

Zinc-plated steel 8.8

Hinge



Purchase code
0505.2705

Zama

Cable entry gland plate



Purchase code
0505.2201.6030

Magnelis® 15/10

Rod latch lock



Purchase code

0505.1405

Key included

1/4 turn twin comb lock



Purchase code

0505.1401

Key included

1/4 turn twist lock



Purchase code

0505.1408

Key included

1/4 turn twist lock with key

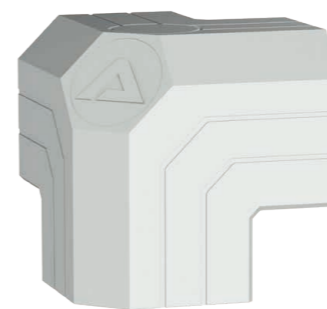


Purchase code

0505.1404

Key included

Three way joint plastic cover



Colour	RAL	Purchase code
Light grey	7035	0505.1105
Black	9005	0505.1105.01
Blu	5017	0505.1105.02
Grey	7001	0505.1105.03

PA66

Customizable cover with Logo. Minimum quantity 50 racks



RAL 7035



RAL 5017



RAL 7001



RAL 9005

Two perforated wings vertical main profiles - for Alurack 550



Useful Units	N° perforated wings	Purchase code
12	2	0101.0107.1202
15	2	0101.0107.1502
18	2	0101.0107.1802
24	2	0101.0107.2402
30	2	0101.0107.3002
36	2	0101.0107.3602
42	2	0101.0107.4202

Extruded aluminium painted RAL 7035
EPOXY POLYESTER POWDER COATED

One perforated wing vertical main profiles



Useful Units	N° perforated wings	Purchase code
12	1	0101.0107.1201
15	1	0101.0107.1501
18	1	0101.0107.1801
24	1	0101.0107.2401
30	1	0101.0107.3001
36	1	0101.0107.3601
42	1	0101.0107.4201

Extruded aluminium painted RAL 7035
EPOXY POLYESTER POWDER COATED

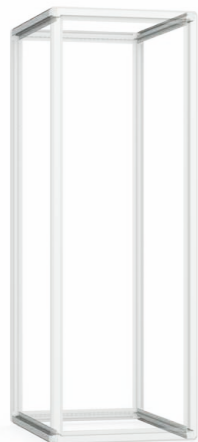
One perforated wing horizontal main profiles - Width



Rack width mm	N° perforated wings	Purchase code
550	1	0101.1901.5501
600	1	0101.1901.6001
800	1	0101.1901.8001

Extruded aluminium painted RAL 7035
EPOXY POLYESTER POWDER COATED

Two perforated wings horizontal main profiles - Depth



Rack depth mm	N° perforated wings	Purchase code
600	2	0101.1901.6002
700	2	0101.1901.7002
800	2	0101.1901.8002
1000	2	0101.1901.1002
1200	2	0101.1901.1202

Extruded aluminium painted RAL 7035
EPOXY POLYESTER POWDER COATED



COLOURS

The aluminium frame can be supplied in different colours. In addition to the colour, it is possible to insert a customization into the hexagon present on the joint-cap. The choice of colours will increase the identifiability of the product as unique.

MECHANICAL CUSTOMIZATION:

Thanks to modern machining technology, it is possible to customize every single piece, thus allowing the elimination of additional working and reducing delivery time.

SERIES CUSTOMIZATION:

In case of high volumes, the customization procedures will be optimized, reducing costs and timing by transforming the custom product into a standard one.

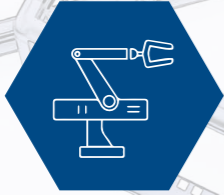
SERIGRAPHY:

In addition to the possibility of different colours of the outside structure, all internal components, such as the front panels, can be customized with serigraphic printing that allows to utilize a wide range of bright colours, texts, images or logos.

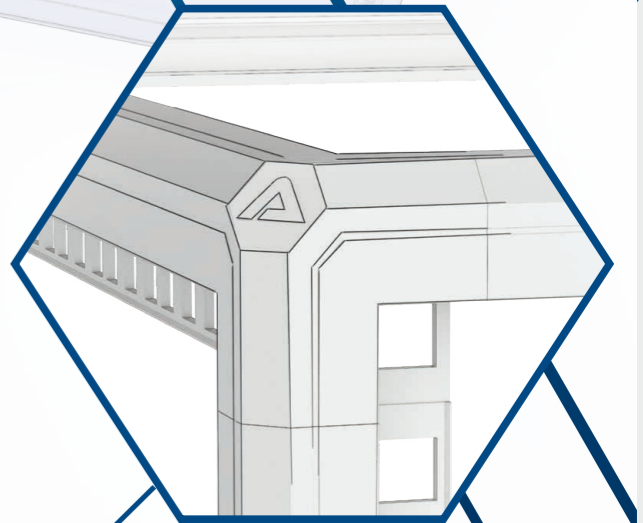
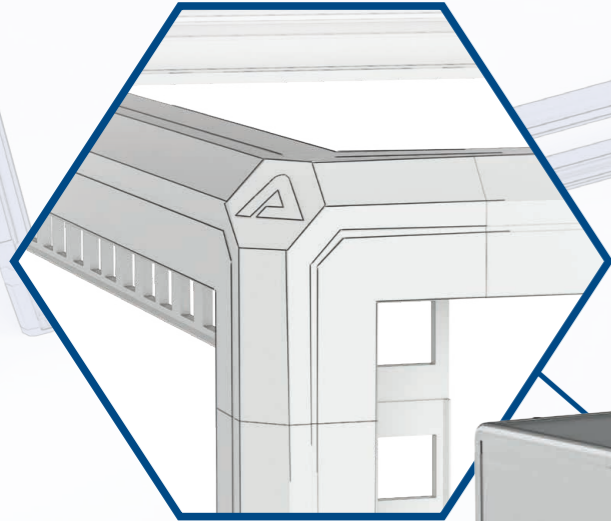
FINISHING:

The most widely used material is aluminium, for which we have several surface treatments such as:
SURTEC 650: a liquid process that provides the substrate with high corrosion protection: 336 h in simple saline mist and 150 h in acetic saline mist.
ANODIZATION: a non-spontaneous electrochemical process by which a protective layer is formed on the surface of the treated metal and protects it from corrosion.

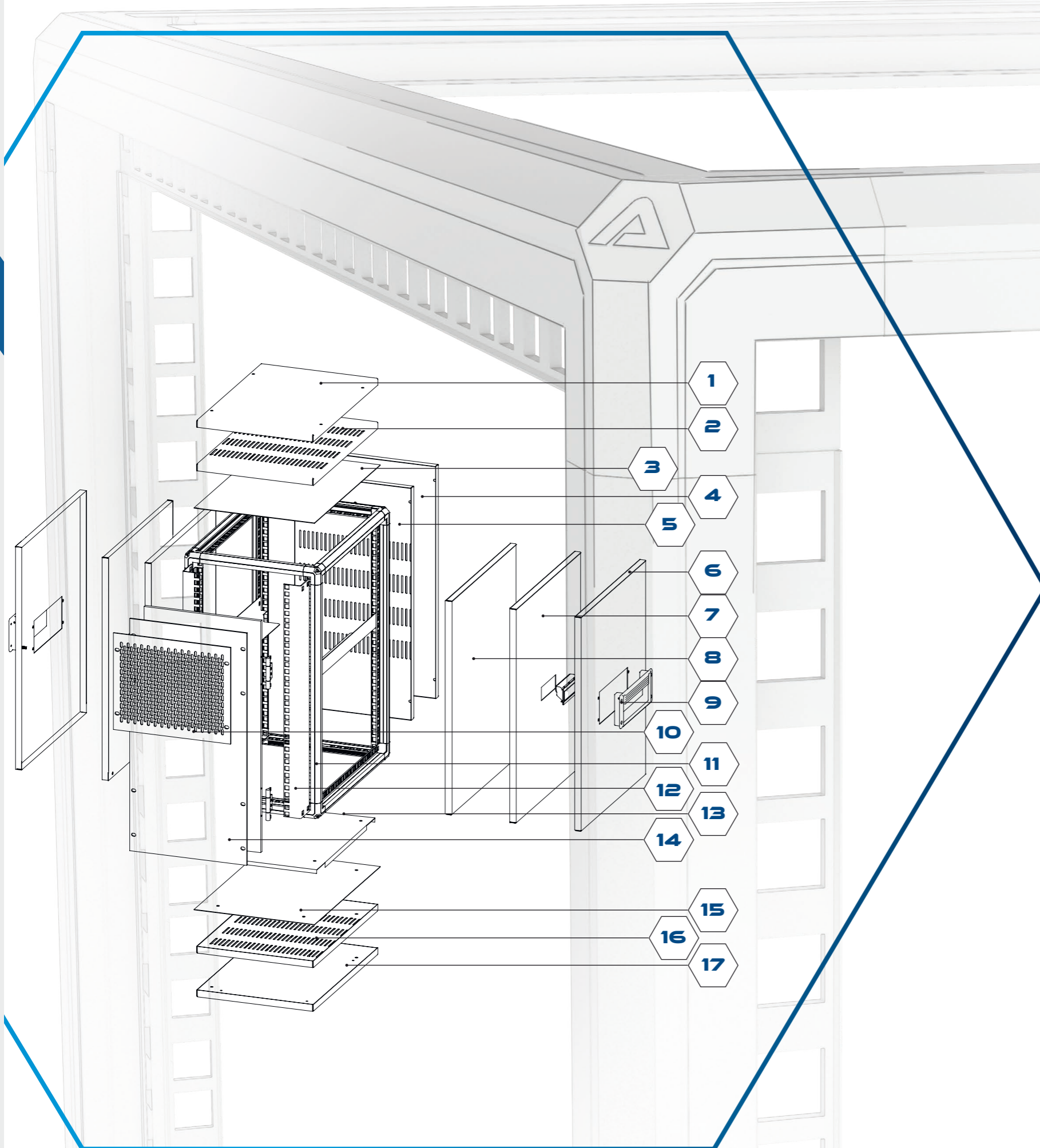




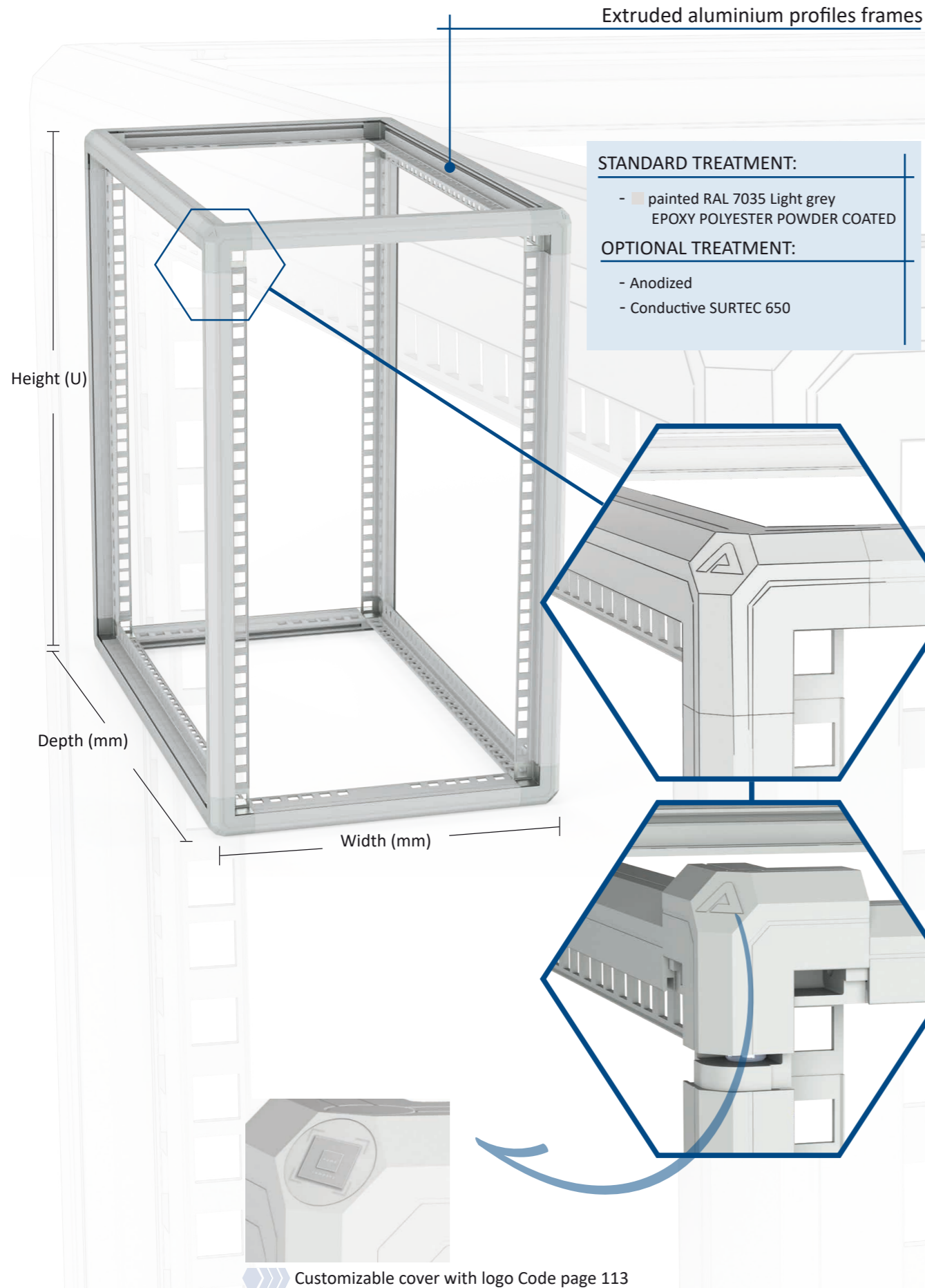
19" compact rack containers built according to IEC 60297 - DIN 41494 specifications. The frame is made of painted extruded aluminium profiles assembled together. Load capacity up-to 300 Kg - modularity – availability of a wide range of accessories. Load capacity up-to 1,000 Kg - modularity -availability of a wide range of accessories. These features allow great versatility and a huge variety of applications in high technology sectors such as: railways, industrial automation, telecommunications, networking, electro-medical, marine, defence and nuclear.



TAB RIF.pg 3



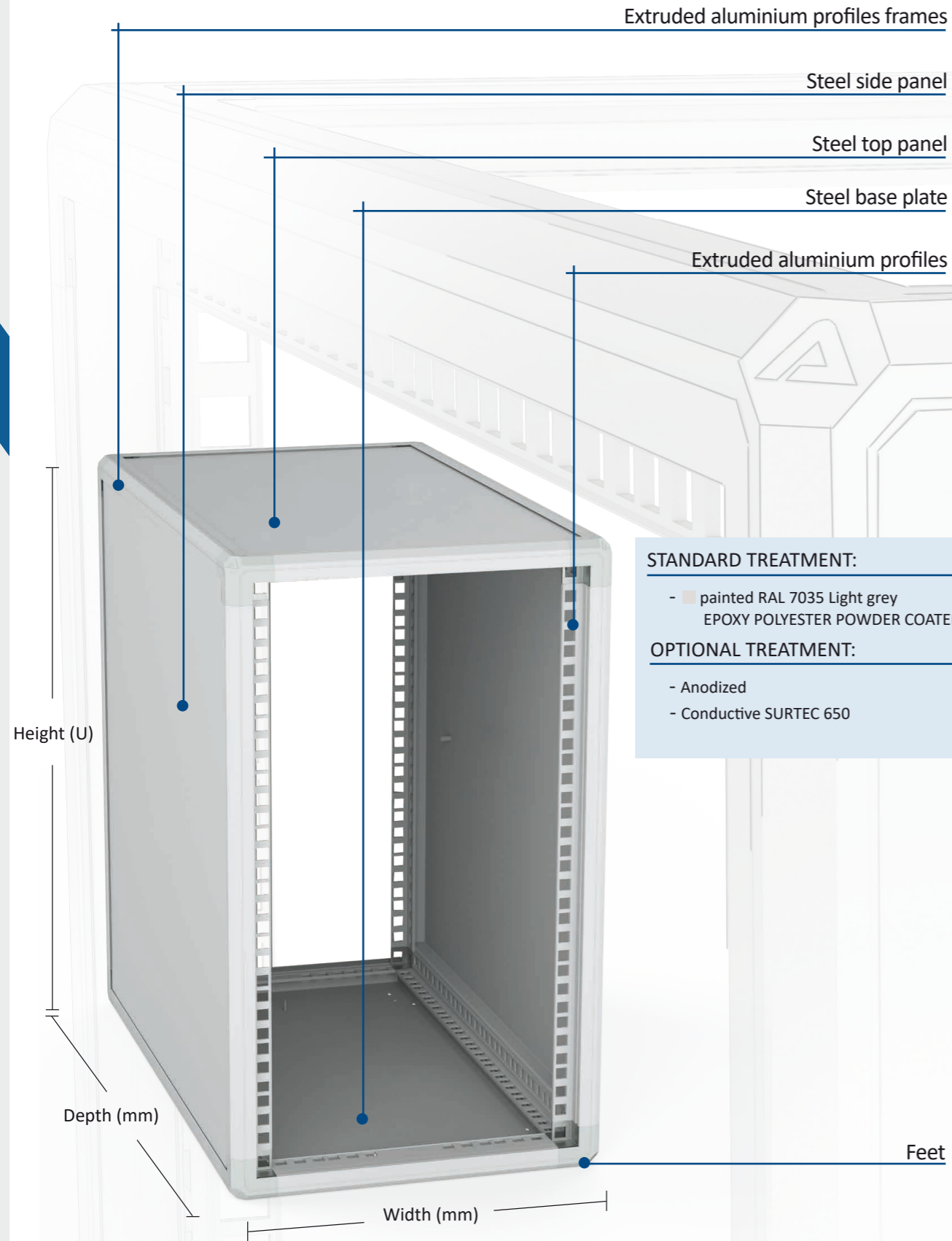
1	Removable top panels	PG. 96
2	Removable ventilated top panels	PG. 96
3	Not removable top panels	PG. 97
4	Rear panels	PG. 100
5	Ventilated rear panels	PG. 100
6	Side panels for heavy loads handles	PG. 103
7	Side panels for plastic handle	PG. 102
8	Blank side panels	PG. 101
9	Handles	PG. 107
10	Ventilated front panels	PG. 105
11	Frame	PG. 91
12	19" Magnelis® rails	PG. 106
13	Base plates	PG. 99
14	Blank front panels	PG. 104
15	Not removable base plate	PG. 99
16	Removable ventilated base plates	PG. 98
17	Removable blank base plates	PG. 98



Compact rack extruded aluminium frame

Height in U	Total height mm	Depth mm	Purchase code		
			Total width 315 mm Width 42 TE	Total width 405 mm Width 60 TE	Total width 527 mm Width 84 TE
3	175	260	0606-0103-0504	0606-0103-0704	0606-0103-1004
3	175	350	0606-0103-0506	0606-0103-0706	0606-0103-1006
3	175	450	0606-0103-0508	0606-0103-0708	0606-0103-1008
3	175	550	0606-0103-0510	0606-0103-0710	0606-0103-1010
3	175	620	0606-0103-0512	0606-0103-0712	0606-0103-1012
4	220	260	0606-0104-0504	0606-0104-0704	0606-0104-1004
4	220	350	0606-0104-0506	0606-0104-0706	0606-0104-1006
4	220	450	0606-0104-0508	0606-0104-0708	0606-0104-1008
4	220	550	0606-0104-0510	0606-0104-0710	0606-0104-1010
4	220	620	0606-0104-0512	0606-0104-0712	0606-0104-1012
5	265	260	0606-0105-0504	0606-0105-0704	0606-0105-1004
5	265	350	0606-0105-0506	0606-0105-0706	0606-0105-1006
5	265	450	0606-0105-0508	0606-0105-0708	0606-0105-1008
5	265	550	0606-0105-0510	0606-0105-0710	0606-0105-1010
5	265	620	0606-0105-0512	0606-0105-0712	0606-0105-1012
6	310	260	0606-0106-0504	0606-0106-0704	0606-0106-1004
6	310	350	0606-0106-0506	0606-0106-0706	0606-0106-1006
6	310	450	0606-0106-0508	0606-0106-0708	0606-0106-1008
6	310	550	0606-0106-0510	0606-0106-0710	0606-0106-1010
6	310	620	0606-0106-0512	0606-0106-0712	0606-0106-1012
7	355	260	0606-0107-0504	0606-0107-0704	0606-0107-1004
7	355	350	0606-0107-0506	0606-0107-0706	0606-0107-1006
7	355	450	0606-0107-0508	0606-0107-0708	0606-0107-1008
7	355	550	0606-0107-0510	0606-0107-0710	0606-0107-1010
7	355	620	0606-0107-0512	0606-0107-0712	0606-0107-1012
8	400	260	0606-0108-0504	0606-0108-0704	0606-0108-1004
8	400	350	0606-0108-0506	0606-0108-0706	0606-0108-1006
8	400	450	0606-0108-0508	0606-0108-0708	0606-0108-1008
8	400	550	0606-0108-0510	0606-0108-0710	0606-0108-1010
8	400	620	0606-0108-0512	0606-0108-0712	0606-0108-1012
9	442	260	0606-0109-0504	0606-0109-0704	0606-0109-1004
9	442	350	0606-0109-0506	0606-0109-0706	0606-0109-1006
9	442	450	0606-0109-0508	0606-0109-0708	0606-0109-1008
9	442	550	0606-0109-0510	0606-0109-0710	0606-0109-1010
9	442	620	0606-0109-0512	0606-0109-0712	0606-0109-1012
12	575	260	0606-0112-0504	0606-0112-0704	0606-0112-1004
12	575	350	0606-0112-0506	0606-0112-0706	0606-0112-1006
12	575	450	0606-0112-0508	0606-0112-0708	0606-0112-1008
12	575	550	0606-0112-0510	0606-0112-0710	0606-0112-1010
12	575	620	0606-0112-0512	0606-0112-0712	0606-0112-1012
15	710	260	0606-0115-0504	0606-0115-0704	0606-0115-1004
15	710	350	0606-0115-0506	0606-0115-0706	0606-0115-1006
15	710	450	0606-0115-0508	0606-0115-0708	0606-0115-1008
15	710	550	0606-0115-0510	0606-0115-0710	0606-0115-1010
15	710	620	0606-0115-0512	0606-0115-0712	0606-0115-1012
18	842	260	0606-0118-0504	0606-0118-0704	0606-0118-1004
18	842	350	0606-0118-0506	0606-0118-0706	0606-0118-1006
18	842	450	0606-0118-0508	0606-0118-0708	0606-0118-1008
18	842	550	0606-0118-0510	0606-0118-0710	0606-0118-1010
18	842	620	0606-0118-0512	0606-0118-0712	0606-0118-1012

COMPACT RACK WITH PANELS



STANDARD TREATMENT:

- painted RAL 7035 Light grey EPOXY POLYESTER POWDER COATED

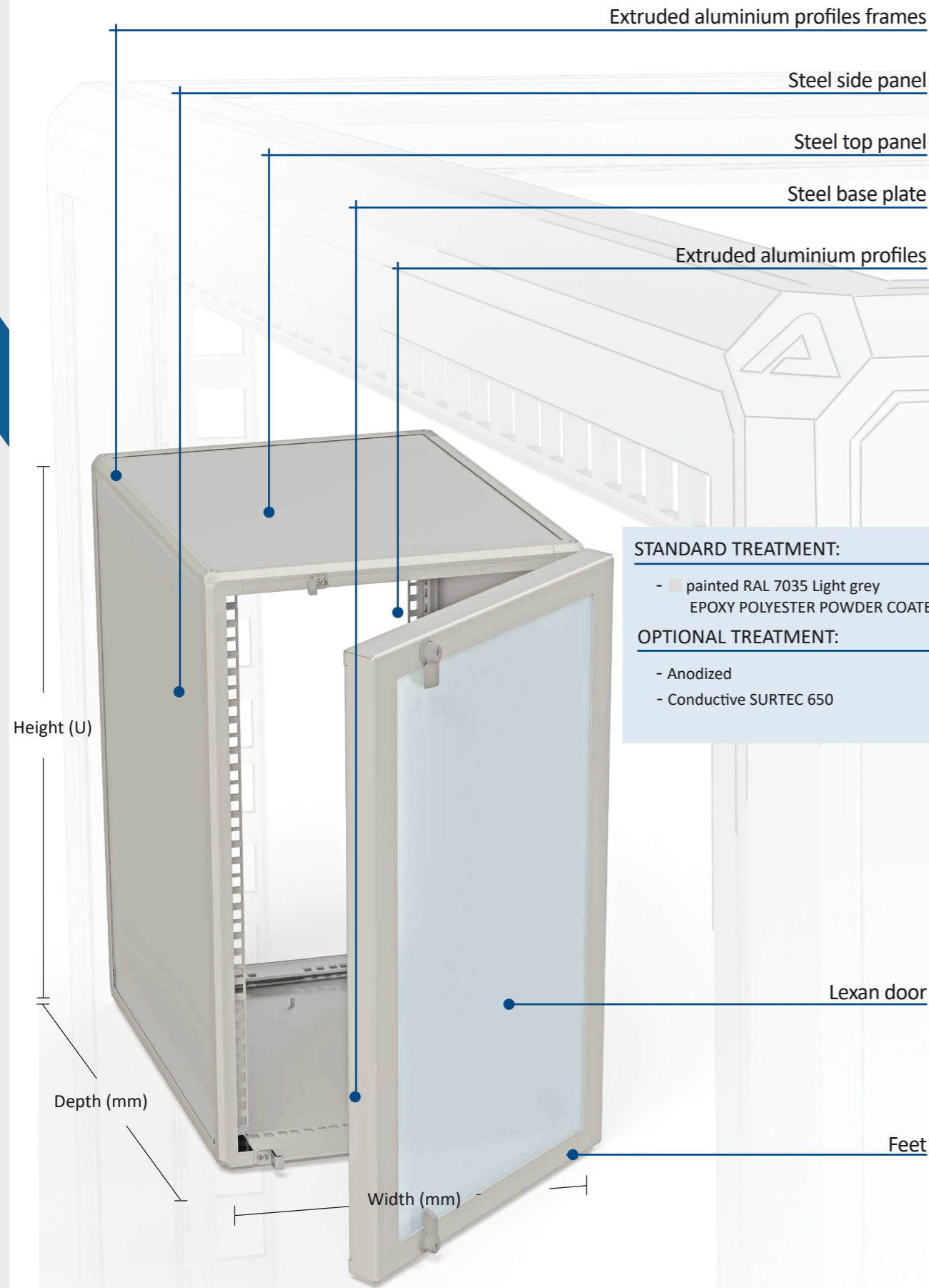
OPTIONAL TREATMENT:

- Anodized
- Conductive SURTEC 650

Compact rack with panels

Height in U	Total height mm	Depth mm	Purchase code		
			Total width 315 mm Width 42 TE	Total width 405 mm Width 60 TE	Total width 527 mm Width 84 TE
3	175	260	0606/0103/0504	0606/0103/0704	0606/0103/1004
3	175	350	0606/0103/0506	0606/0103/0706	0606/0103/1006
3	175	450	0606/0103/0508	0606/0103/0708	0606/0103/1008
3	175	550	0606/0103/0510	0606/0103/0710	0606/0103/1010
3	175	620	0606/0103/0512	0606/0103/0712	0606/0103/1012
4	220	260	0606/0104/0504	0606/0104/0704	0606/0104/1004
4	220	350	0606/0104/0506	0606/0104/0706	0606/0104/1006
4	220	450	0606/0104/0508	0606/0104/0708	0606/0104/1008
4	220	550	0606/0104/0510	0606/0104/0710	0606/0104/1010
4	220	620	0606/0104/0512	0606/0104/0712	0606/0104/1012
5	265	260	0606/0105/0504	0606/0105/0704	0606/0105/1004
5	265	350	0606/0105/0506	0606/0105/0706	0606/0105/1006
5	265	450	0606/0105/0508	0606/0105/0708	0606/0105/1008
5	265	550	0606/0105/0510	0606/0105/0710	0606/0105/1010
5	265	620	0606/0105/0512	0606/0105/0712	0606/0105/1012
6	310	260	0606/0106/0504	0606/0106/0704	0606/0106/1004
6	310	350	0606/0106/0506	0606/0106/0706	0606/0106/1006
6	310	450	0606/0106/0508	0606/0106/0708	0606/0106/1008
6	310	550	0606/0106/0510	0606/0106/0710	0606/0106/1010
6	310	620	0606/0106/0512	0606/0106/0712	0606/0106/1012
7	355	260	0606/0107/0504	0606/0107/0704	0606/0107/1004
7	355	350	0606/0107/0506	0606/0107/0706	0606/0107/1006
7	355	450	0606/0107/0508	0606/0107/0708	0606/0107/1008
7	355	550	0606/0107/0510	0606/0107/0710	0606/0107/1010
7	355	620	0606/0107/0512	0606/0107/0712	0606/0107/1012
8	400	260	0606/0108/0504	0606/0108/0704	0606/0108/1004
8	400	350	0606/0108/0506	0606/0108/0706	0606/0108/1006
8	400	450	0606/0108/0508	0606/0108/0708	0606/0108/1008
8	400	550	0606/0108/0510	0606/0108/0710	0606/0108/1010
8	400	620	0606/0108/0512	0606/0108/0712	0606/0108/1012
9	442	260	0606/0109/0504	0606/0109/0704	0606/0109/1004
9	442	350	0606/0109/0506	0606/0109/0706	0606/0109/1006
9	442	450	0606/0109/0508	0606/0109/0708	0606/0109/1008
9	442	550	0606/0109/0510	0606/0109/0710	0606/0109/1010
9	442	620	0606/0109/0512	0606/0109/0712	0606/0109/1012
12	575	260	0606/0112/0504	0606/0112/0704	0606/0112/1004
12	575	350	0606/0112/0506	0606/0112/0706	0606/0112/1006
12	575	450	0606/0112/0508	0606/0112/0708	0606/0112/1008
12	575	550	0606/0112/0510	0606/0112/0710	0606/0112/1010
12	575	620	0606/0112/0512	0606/0112/0712	0606/0112/1012
15	710	260	0606/0115/0504	0606/0115/0704	0606/0115/1004
15	710	350	0606/0115/0506	0606/0115/0706	0606/0115/1006
15	710	450	0606/0115/0508	0606/0115/0708	0606/0115/1008
15	710	550	0606/0115/0510	0606/0115/0710	0606/0115/1010
15	710	620	0606/0115/0512	0606/0115/0712	0606/0115/1012
18	842	260	0606/0118/0504	0606/0118/0704	0606/0118/1004
18	842	350	0606/0118/0506	0606/0118/0706	0606/0118/1006
18	842	450	0606/0118/0508	0606/0118/0708	0606/0118/1008
18	842	550	0606/0118/0510	0606/0118/0710	0606/0118/1010
18	842	620	0606/0118/0512	0606/0118/0712	0606/0118/1012

COMPACT RACK WITH PANELS AND LEXAN DOOR



STANDARD TREATMENT:

- painted RAL 7035 Light grey EPOXY POLYESTER POWDER COATED

OPTIONAL TREATMENT:

- Anodized
- Conductive SURTEC 650

Compact rack with panels and lexan door

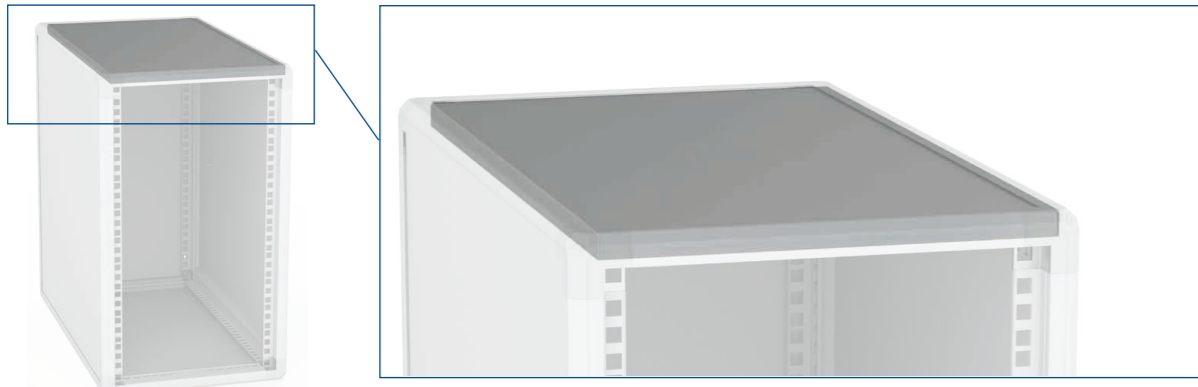
Height in U	Total height mm	Depth mm	Purchase code		
			Total width 315 mm Width 42 TE	Total width 405 mm Width 60 TE	Total width 527 mm Width 84 TE
3	175	260	0606/0203/0504	0606/0203/0704	0606/0203/1004
3	175	350	0606/0203/0506	0606/0203/0706	0606/0203/1006
3	175	450	0606/0203/0508	0606/0203/0708	0606/0203/1008
3	175	550	0606/0203/0510	0606/0203/0710	0606/0203/1010
3	175	620	0606/0203/0512	0606/0203/0712	0606/0203/1012
4	220	260	0606/0204/0504	0606/0204/0704	0606/0204/1004
4	220	350	0606/0204/0506	0606/0204/0706	0606/0204/1006
4	220	450	0606/0204/0508	0606/0204/0708	0606/0204/1008
4	220	550	0606/0204/0510	0606/0204/0710	0606/0204/1010
4	220	620	0606/0204/0512	0606/0204/0712	0606/0204/1012
5	265	260	0606/0205/0504	0606/0205/0704	0606/0205/1004
5	265	350	0606/0205/0506	0606/0205/0706	0606/0205/1006
5	265	450	0606/0205/0508	0606/0205/0708	0606/0205/1008
5	265	550	0606/0205/0510	0606/0205/0710	0606/0205/1010
5	265	620	0606/0205/0512	0606/0205/0712	0606/0205/1012
6	310	260	0606/0206/0504	0606/0206/0704	0606/0206/1004
6	310	350	0606/0206/0506	0606/0206/0706	0606/0206/1006
6	310	450	0606/0206/0508	0606/0206/0708	0606/0206/1008
6	310	550	0606/0206/0510	0606/0206/0710	0606/0206/1010
6	310	620	0606/0206/0512	0606/0206/0712	0606/0206/1012
7	355	260	0606/0207/0504	0606/0207/0704	0606/0207/1004
7	355	350	0606/0207/0506	0606/0207/0706	0606/0207/1006
7	355	450	0606/0207/0508	0606/0207/0708	0606/0207/1008
7	355	550	0606/0207/0510	0606/0207/0710	0606/0207/1010
7	355	620	0606/0207/0512	0606/0207/0712	0606/0207/1012
8	400	260	0606/0208/0504	0606/0208/0704	0606/0208/1004
8	400	350	0606/0208/0506	0606/0208/0706	0606/0208/1006
8	400	450	0606/0208/0508	0606/0208/0708	0606/0208/1008
8	400	550	0606/0208/0510	0606/0208/0710	0606/0208/1010
8	400	620	0606/0208/0512	0606/0208/0712	0606/0208/1012
9	442	260	0606/0209/0504	0606/0209/0704	0606/0209/1004
9	442	350	0606/0209/0506	0606/0209/0706	0606/0209/1006
9	442	450	0606/0209/0508	0606/0209/0708	0606/0209/1008
9	442	550	0606/0209/0510	0606/0209/0710	0606/0209/1010
9	442	620	0606/0209/0512	0606/0209/0712	0606/0209/1012
12	575	260	0606/0212/0504	0606/0212/0704	0606/0212/1004
12	575	350	0606/0212/0506	0606/0212/0706	0606/0212/1006
12	575	450	0606/0212/0508	0606/0212/0708	0606/0212/1008
12	575	550	0606/0212/0510	0606/0212/0710	0606/0212/1010
12	575	620	0606/0212/0512	0606/0212/0712	0606/0212/1012
15	710	260	0606/0215/0504	0606/0215/0704	0606/0215/1004
15	710	350	0606/0215/0506	0606/0215/0706	0606/0215/1006
15	710	450	0606/0215/0508	0606/0215/0708	0606/0215/1008
15	710	550	0606/0215/0510	0606/0215/0710	0606/0215/1010
15	710	620	0606/0215/0512	0606/0215/0712	0606/0215/1012
18	842	260	0606/0218/0504	0606/0218/0704	0606/0218/1004
18	842	350	0606/0218/0506	0606/0218/0706	0606/0218/1006
18	842	450	0606/0218/0508	0606/0218/0708	0606/0218/1008
18	842	550	0606/0218/0510	0606/0218/0710	0606/0218/1010
18	842	620	0606/0218/0512	0606/0218/0712	0606/0218/1012

Reversable door

Lexan door

SEE PG. 107

Removable blank top panels



Depth	Purchase code		
	Total width 315 mm Width 42 TE	Total width 405 mm Width 60 TE	Total width 527 mm Width 84 TE
260	0606.0401.0504	0606.0401.0704	0606.0401.1004
350	0606.0401.0506	0606.0401.0706	0606.0401.1006
450	0606.0401.0508	0606.0401.0708	0606.0401.1008
550	0606.0401.0510	0606.0401.0710	0606.0401.1010
620	0606.0401.0512	0606.0401.0712	0606.0401.1012

Steel 10/10 painted RAL 7035
EPOXY POLYESTER POWDER COATED

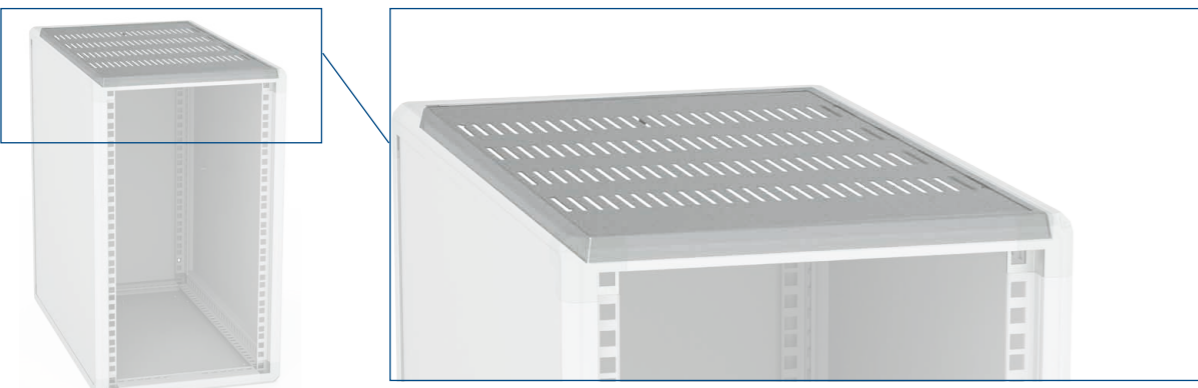
Not removable top panels



Depth	Purchase code		
	Total width 315 mm Width 42 TE	Total width 405 mm Width 60 TE	Total width 527 mm Width 84 TE
260	0606.0403.0504	0606.0403.0704	0606.0403.1004
350	0606.0403.0506	0606.0403.0706	0606.0403.1006
450	0606.0403.0508	0606.0403.0708	0606.0403.1008
550	0606.0403.0510	0606.0403.0710	0606.0403.1010
620	0606.0403.0512	0606.0403.0712	0606.0403.1012

Steel 10/10 painted RAL 7035
EPOXY POLYESTER POWDER COATED

Removable ventilated top panels



Depth	Purchase code		
	Total width 315 mm Width 42 TE	Total width 405 mm Width 60 TE	Total width 527 mm Width 84 TE
260	0606.0402.0504	0606.0402.0704	0606.0402.1004
350	0606.0402.0506	0606.0402.0706	0606.0402.1006
450	0606.0402.0508	0606.0402.0708	0606.0402.1008
550	0606.0402.0510	0606.0402.0710	0606.0402.1010
620	0606.0402.0512	0606.0402.0712	0606.0402.1012

Steel 10/10 painted RAL 7035
EPOXY POLYESTER POWDER COATED

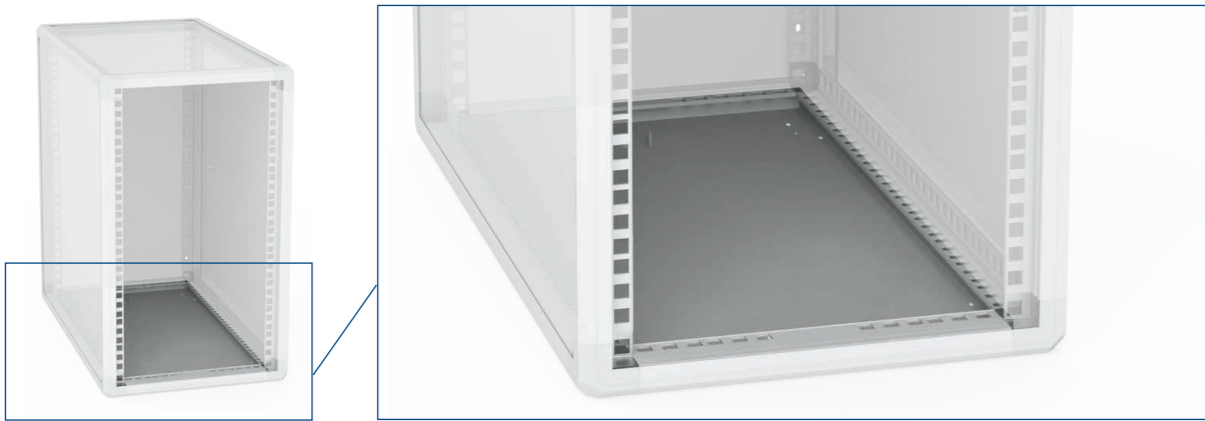
Removable top panel predisposed for fan installation



Depth	Purchase code		
	Total width 315 mm Width 42 TE	Total width 405 mm Width 60 TE	Total width 527 mm Width 84 TE
260	0606.0405.0504	0606.0405.0704	0606.0405.1004
350	0606.0405.0506	0606.0405.0706	0606.0405.1006
450	0606.0405.0508	0606.0405.0708	0606.0405.1008
550	0606.0405.0510	0606.0405.0710	0606.0405.1010
620	0606.0405.0512	0606.0405.0712	0606.0405.1012

Steel 10/10 painted RAL 7035
EPOXY POLYESTER POWDER COATED

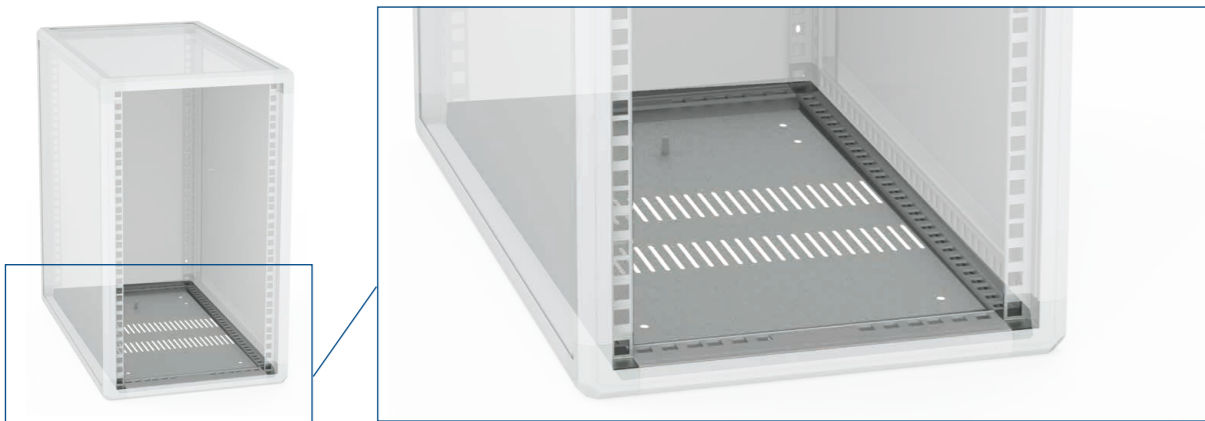
Removable blank base plates



Depth	Purchase code		
	Total width 315 mm Width 42 TE	Total width 405 mm Width 60 TE	Total width 527 mm Width 84 TE
260	0606.0501.0504	0606.0501.0704	0606.0501.1004
350	0606.0501.0506	0606.0501.0706	0606.0501.1006
450	0606.0501.0508	0606.0501.0708	0606.0501.1008
550	0606.0501.0510	0606.0501.0710	0606.0501.1010
620	0606.0501.0512	0606.0501.0712	0606.0501.1012

Steel 10/10 painted RAL 7035
EPOXY POLYESTER POWDER COATED

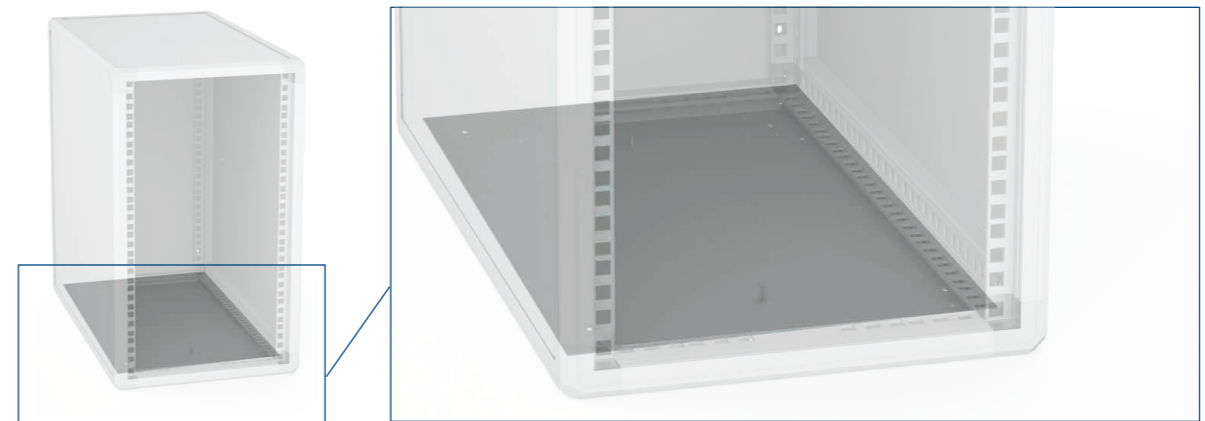
Removable ventilated base plates



Depth	Purchase code		
	Total width 315 mm Width 42 TE	Total width 405 mm Width 60 TE	Total width 527 mm Width 84 TE
260	0606.0502.0504	0606.0502.0704	0606.0502.1004
350	0606.0502.0506	0606.0502.0706	0606.0502.1006
450	0606.0502.0508	0606.0502.0708	0606.0502.1008
550	0606.0502.0510	0606.0502.0710	0606.0502.1010
620	0606.0502.0512	0606.0502.0712	0606.0502.1012

Steel 10/10 painted RAL 7035
EPOXY POLYESTER POWDER COATED

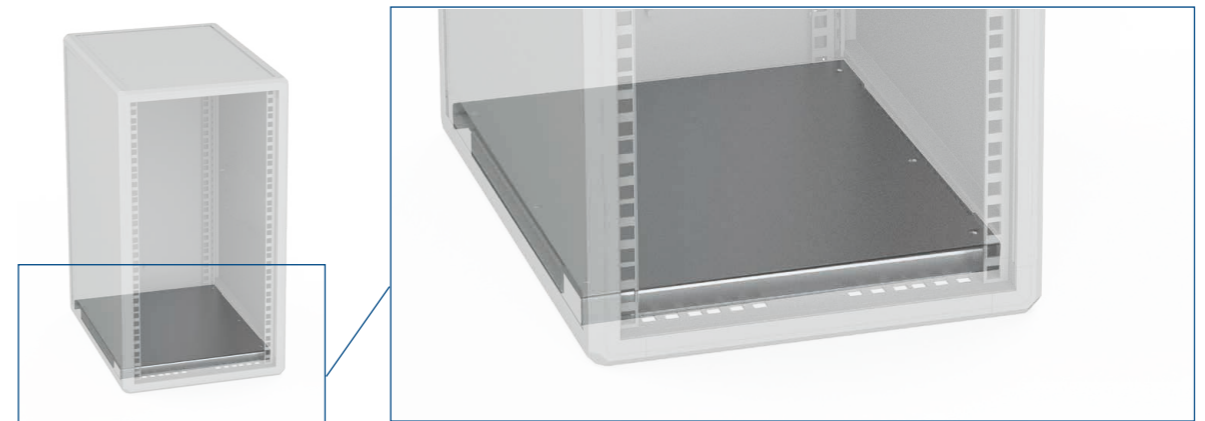
Not removable base plates



Depth	Purchase code		
	Total width 315 mm Width 42 TE	Total width 405 mm Width 60 TE	Total width 527 mm Width 84 TE
260	0606.0503.0504	0606.0503.0704	0606.0503.1004
350	0606.0503.0506	0606.0503.0706	0606.0503.1006
450	0606.0503.0508	0606.0503.0708	0606.0503.1008
550	0606.0503.0510	0606.0503.0710	0606.0503.1010
620	0606.0503.0512	0606.0503.0712	0606.0503.1012

Steel 10/10 painted RAL 7035
EPOXY POLYESTER POWDER COATED

Base plans



Depth	Purchase code		
	Total width 315 mm Width 42 TE	Total width 405 mm Width 60 TE	Total width 527 mm Width 84 TE
260	0606.0901.0504	0606.0901.0704	0606.0901.1004
350	0606.0901.0506	0606.0901.0706	0606.0901.1006
450	0606.0901.0508	0606.0901.0708	0606.0901.1008
550	0606.0901.0510	0606.0901.0710	0606.0901.1010
620	0606.0901.0512	0606.0901.0712	0606.0901.1012

Magnelis® 15/10

Blank rear panels



Height in U	Purchase code		
	Total width 315 mm Width 42 TE	Total width 405 mm Width 60 TE	Total width 527 mm Width 84 TE
3	0606.0601.0305	0606.0601.0307	0606.0601.0310
4	0606.0601.0405	0606.0601.0407	0606.0601.0410
5	0606.0601.0505	0606.0601.0507	0606.0601.0510
6	0606.0601.0605	0606.0601.0607	0606.0601.0610
7	0606.0601.0705	0606.0601.0707	0606.0601.0710
8	0606.0601.0805	0606.0601.0807	0606.0601.0810
9	0606.0601.0905	0606.0601.0907	0606.0601.0910
12	0606.0601.1205	0606.0601.1207	0606.0601.1210
15	0606.0601.1505	0606.0601.1507	0606.0601.1510
18	0606.0601.1805	0606.0601.1807	0606.0601.1810

Steel 10/10 painted RAL 7035
EPOXY POLYESTER POWDER COATED

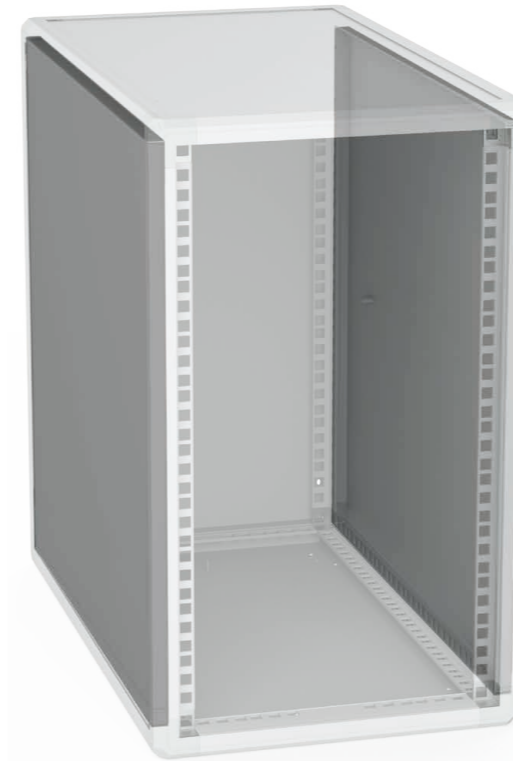
Ventilated rear panels



Height in U	Purchase code		
	Total width 315 mm Width 42 TE	Total width 405 mm Width 60 TE	Total width 527 mm Width 84 TE
3	0606.0602.0305	0606.0602.0307	0606.0602.0310
4	0606.0602.0405	0606.0602.0407	0606.0602.0410
5	0606.0602.0505	0606.0602.0507	0606.0602.0510
6	0606.0602.0605	0606.0602.0607	0606.0602.0610
7	0606.0602.0705	0606.0602.0707	0606.0602.0710
8	0606.0602.0805	0606.0602.0807	0606.0602.0810
9	0606.0602.0905	0606.0602.0907	0606.0602.0910
12	0606.0602.1205	0606.0602.1207	0606.0602.1210
15	0606.0602.1505	0606.0602.1507	0606.0602.1510
18	0606.0602.1805	0606.0602.1807	0606.0602.1810

Steel 10/10 painted RAL 7035
EPOXY POLYESTER POWDER COATED

Blank side panels



Height in U	Depth mm	Purchase code
3	260	0606.0701.0304
3	350	0606.0701.0306
3	450	0606.0701.0308
3	550	0606.0701.0310
3	620	0606.0701.0312
4	260	0606.0701.0404
4	350	0606.0701.0406
4	450	0606.0701.0408
4	550	0606.0701.0410
4	620	0606.0701.0412
5	260	0606.0701.0504
5	350	0606.0701.0506
5	450	0606.0701.0508
5	550	0606.0701.0510
5	620	0606.0701.0512
6	260	0606.0701.0604
6	350	0606.0701.0606
6	450	0606.0701.0608
6	550	0606.0701.0610
6	620	0606.0701.0612
7	260	0606.0701.0704
7	350	0606.0701.0706
7	450	0606.0701.0708
7	550	0606.0701.0710
7	620	0606.0701.0712
8	260	0606.0701.0804
8	350	0606.0701.0806
8	450	0606.0701.0808
8	550	0606.0701.0810
8	620	0606.0701.0812
9	260	0606.0701.0904
9	350	0606.0701.0906
9	450	0606.0701.0908
9	550	0606.0701.0910
9	620	0606.0701.0912
12	260	0606.0701.1204
12	350	0606.0701.1206
12	450	0606.0701.1208
12	550	0606.0701.1210
12	620	0606.0701.1212
15	260	0606.0701.1504
15	350	0606.0701.1506
15	450	0606.0701.1508
15	550	0606.0701.1510
15	620	0606.0701.1512
18	260	0606.0701.1804
18	350	0606.0701.1806
18	450	0606.0701.1808
18	550	0606.0701.1810
18	620	0606.0701.1812

Steel 10/10 painted RAL 7035
EPOXY POLYESTER POWDER COATED

Blank side panels with handle holes

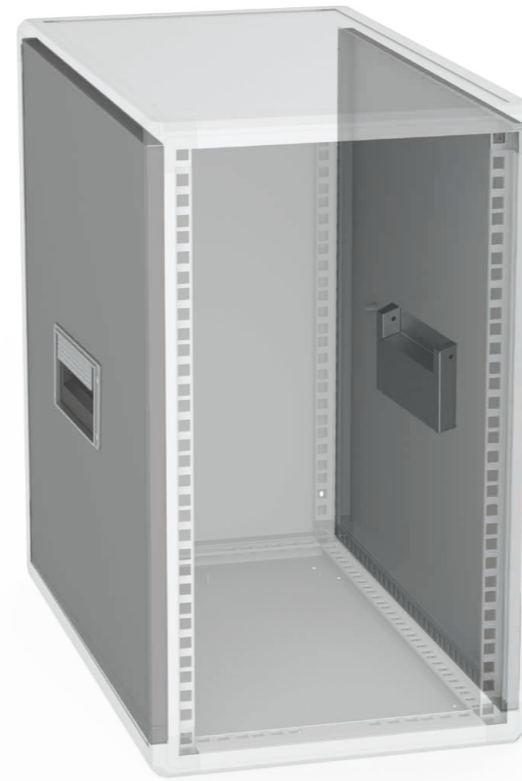


Height in U	Depth mm	Purchase code
3	260	0606.0702.0304
3	350	0606.0702.0306
3	450	0606.0702.0308
3	550	0606.0702.0310
3	620	0606.0702.0312
4	260	0606.0702.0404
4	350	0606.0702.0406
4	450	0606.0702.0408
4	550	0606.0702.0410
4	620	0606.0702.0412
5	260	0606.0702.0504
5	350	0606.0702.0506
5	450	0606.0702.0508
5	550	0606.0702.0510
5	620	0606.0702.0512
6	260	0606.0702.0604
6	350	0606.0702.0606
6	450	0606.0702.0608
6	550	0606.0702.0610
6	620	0606.0702.0612
7	260	0606.0702.0704
7	350	0606.0702.0706
7	450	0606.0702.0708
7	550	0606.0702.0710
7	620	0606.0702.0712
8	260	0606.0702.0804
8	350	0606.0702.0806
8	450	0606.0702.0808
8	550	0606.0702.0810
8	620	0606.0702.0812
9	260	0606.0702.0904
9	350	0606.0702.0906
9	450	0606.0702.0908
9	550	0606.0702.0910
9	620	0606.0702.0912
12	260	0606.0702.1204
12	350	0606.0702.1206
12	450	0606.0702.1208
12	550	0606.0702.1210
12	620	0606.0702.1212
15	260	0606.0702.1504
15	350	0606.0702.1506
15	450	0606.0702.1508
15	550	0606.0702.1510
15	620	0606.0702.1512
18	260	0606.0702.1804
18	350	0606.0702.1806
18	450	0606.0702.1808
18	550	0606.0702.1810
18	620	0606.0702.1812

Steel 10/10 painted RAL 7035
EPOXY POLYESTER POWDER COATED

Use with handles provided separately SEE PG. 107

Blank side panels with holes for heavy loads handles



Height in U	Depth mm	Purchase code
3	260	0606.0703.0304
3	350	0606.0703.0306
3	450	0606.0703.0308
3	550	0606.0703.0310
3	620	0606.0703.0312
4	260	0606.0703.0404
4	350	0606.0703.0406
4	450	0606.0703.0408
4	550	0606.0703.0410
4	620	0606.0703.0412
5	260	0606.0703.0504
5	350	0606.0703.0506
5	450	0606.0703.0508
5	550	0606.0703.0510
5	620	0606.0703.0512
6	260	0606.0703.0604
6	350	0606.0703.0606
6	450	0606.0703.0608
6	550	0606.0703.0610
6	620	0606.0703.0612
7	260	0606.0703.0704
7	350	0606.0703.0706
7	450	0606.0703.0708
7	550	0606.0703.0710
7	620	0606.0703.0712
8	260	0606.0703.0804
8	350	0606.0703.0806
8	450	0606.0703.0808
8	550	0606.0703.0810
8	620	0606.0703.0812
9	260	0606.0703.0904
9	350	0606.0703.0906
9	450	0606.0703.0908
9	550	0606.0703.0910
9	620	0606.0703.0912
12	260	0606.0703.1204
12	350	0606.0703.1206
12	450	0606.0703.1208
12	550	0606.0703.1210
12	620	0606.0703.1212
15	260	0606.0703.1504
15	350	0606.0703.1506
15	450	0606.0703.1508
15	550	0606.0703.1510
15	620	0606.0703.1512
18	260	0606.0703.1804
18	350	0606.0703.1806
18	450	0606.0703.1808
18	550	0606.0703.1810
18	620	0606.0703.1812

Steel 10/10 painted RAL 7035
EPOXY POLYESTER POWDER COATED

Use with handles provided separately SEE PG. 107

Blank front panel



Height in U	TE	Purchase code	
		Anodized	Painted ral 7035
1	42	0505.2901.0501	0505.2905.0501
1	60	0505.2901.0701	0505.2905.0701
1	84	0505.2901.1001	0505.2905.1001
2	42	0505.2901.0502	0505.2905.0502
2	60	0505.2901.0702	0505.2905.0702
2	84	0505.2901.1002	0505.2905.1002
3	42	0505.2901.0503	0505.2905.0503
3	60	0505.2901.0703	0505.2905.0703
3	84	0505.2901.1003	0505.2905.1003
4	42	0505.2901.0504	0505.2905.0504
4	60	0505.2901.0704	0505.2905.0704
4	84	0505.2901.1004	0505.2905.1004
5	42	0505.2901.0505	0505.2905.0505
5	60	0505.2901.0705	0505.2905.0705
5	84	0505.2901.1005	0505.2905.1005
6	42	0505.2901.0506	0505.2905.0506
6	60	0505.2901.0706	0505.2905.0706
6	84	0505.2901.1006	0505.2905.1006
7	42	0505.2901.0507	0505.2905.0507
7	60	0505.2901.0707	0505.2905.0707
7	84	0505.2901.1007	0505.2905.1007
8	42	0505.2901.0508	0505.2905.0508
8	60	0505.2901.0708	0505.2905.0708
8	84	0505.2901.1008	0505.2905.1008
9	42	0505.2901.0509	0505.2905.0509
9	60	0505.2901.0709	0505.2905.0709
9	84	0505.2901.1009	0505.2905.1009
12	42	0505.2901.0512	0505.2905.0512
12	60	0505.2901.0712	0505.2905.0712
12	84	0505.2901.1012	0505.2905.1012
15	42	0505.2901.0515	0505.2905.0515
15	60	0505.2901.0715	0505.2905.0715
15	84	0505.2901.1015	0505.2905.1015
18	42	0505.2901.0518	0505.2905.0518
18	60	0505.2901.0718	0505.2905.0718
18	84	0505.2901.1018	0505.2905.1018

Aluminium 30/10 - Anodized - Painted RAL 7035

Ventilated front panel



Height in U	TE	Purchase code	
		Anodized	Painted ral 7035
1	42	0505.2902.0501	0505.2906.0501
1	60	0505.2902.0701	0505.2906.0701
1	84	0505.2902.1001	0505.2906.1001
2	42	0505.2902.0502	0505.2906.0502
2	60	0505.2902.0702	0505.2906.0702
2	84	0505.2902.1002	0505.2906.1002
3	42	0505.2902.0503	0505.2906.0503
3	60	0505.2902.0703	0505.2906.0703
3	84	0505.2902.1003	0505.2906.1003
4	42	0505.2902.0504	0505.2906.0504
4	60	0505.2902.0704	0505.2906.0704
4	84	0505.2902.1004	0505.2906.1004
5	42	0505.2902.0505	0505.2906.0505
5	60	0505.2902.0705	0505.2906.0705
5	84	0505.2902.1005	0505.2906.1005
6	42	0505.2902.0506	0505.2906.0506
6	60	0505.2902.0706	0505.2906.0706
6	84	0505.2902.1006	0505.2906.1006

Aluminium 30/10 - Anodized - Painted RAL 7035

Front panels with handle holes



Height in U	TE	Anodized	Painted ral 7035
2	42	0505.2908.0502	0505.2912.0502
2	60	0505.2908.0702	0505.2912.0702
2	84	0505.2908.1002	0505.2912.1002
3	42	0505.2908.0503	0505.2912.0503
3	60	0505.2908.0703	0505.2912.0703
3	84	0505.2908.1003	0505.2912.1003
4	42	0505.2908.0504	0505.2912.0504
4	60	0505.2908.0704	0505.2912.0704
4	84	0505.2908.1004	0505.2912.1004
5	42	0505.2908.0505	0505.2912.0505
5	60	0505.2908.0705	0505.2912.0705
5	84	0505.2908.1005	0505.2912.1005
6	42	0505.2908.0506	0505.2912.0506
6	60	0505.2908.0706	0505.2912.0706
6	84	0505.2908.1006	0505.2912.1006

Aluminium 30/10 - Anodized - Painted RAL 7035

Use with handles provided separately

SEE
PG. 111

Wiring plates



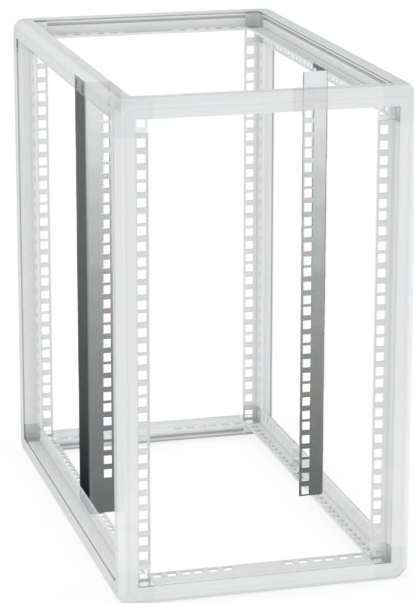
Height in U	Purchase code		
	Width 315 mm Width 42 TE	Width 405 mm Width 60 TE	Total width 527 mm Width 84 TE
3	0606.0801.0305	0606.0801.0307	0606.0801.0310
4	0606.0801.0405	0606.0801.0407	0606.0801.0410
5	0606.0801.0505	0606.0801.0507	0606.0801.0510
6	0606.0801.0605	0606.0801.0607	0606.0801.0610
7	0606.0801.0705	0606.0801.0707	0606.0801.0710
8	0606.0801.0805	0606.0801.0807	0606.0801.0810
9	0606.0801.0905	0606.0801.0907	0606.0801.0910
12	0606.0801.1205	0606.0801.1207	0606.0801.1210
15	0606.0801.1505	0606.0801.1507	0606.0801.1510
18	0606.0801.1805	0606.0801.1807	0606.0801.1810

Magnelis® 15/10

Use with back panel provided separately

SEE
PG. 99

19" Magnelis® rails



Useful Units	Purchase code
3	0606-1001-3
4	0606-1001-4
5	0606-1001-5
6	0606-1001-6
7	0606-1001-7
8	0606-1001-8
9	0606-1001-9
12	0606-1001-12
15	0606-1001-15
18	0606-1001-18

Magnelis® 15/10

Assembly kit included

Compact Rack Lexan® door kit



Height in U	Purchase code		
	Total width 315 mm Width 42 TE	Total width 405 mm Width 60 TE	Total width 527 mm Width 84 TE
3	0606-1301-0503	0606-1301-0703	0606-1301-1003
4	0606-1301-0504	0606-1301-0704	0606-1301-1004
5	0606-1301-0505	0606-1301-0705	0606-1301-1005
6	0606-1301-0506	0606-1301-0706	0606-1301-1006
7	0606-1301-0507	0606-1301-0707	0606-1301-1007
8	0606-1301-0508	0606-1301-0708	0606-1301-1008
9	0606-1301-0509	0606-1301-0709	0606-1301-1009
12	0606-1301-0512	0606-1301-0712	0606-1301-1012
15	0606-1301-0515	0606-1301-0715	0606-1301-1015
18	0606-1301-0518	0606-1301-0718	0606-1301-1018

Lexan

1/4 turn twist lock with key

Wall fixing brackets Compact Rack



Width TE	Purchase code
42	0606-1403-42
60	0606-1403-60
8	0606-1403-84

Steel 20/10 painted RAL 7035

The code refers to both the brackets

Assembly kit included

Plastic handle



Purchase code
0505.0705.03

The code refers to the single handle

Use with side panels

SEE
PG. 102

Heavy duty handle



Purchase code
0505.0706

The code refers to the single handle

Use with side panels

Maximum payload 100Kg per handle

SEE
PG. 103

Blank shelves



Profondità Rack mm	Codice acquisto		
	Larghezza Rack 42 TE	Larghezza Rack 60 TE	Larghezza Rack 84 TE
260	0606.1501.0504	0606.1501.0704	0606.1501.1004
350	0606.1501.0506	0606.1501.0706	0606.1501.1006
450	0606.1501.0508	0606.1501.0708	0606.1501.1008
550	0606.1501.0510	0606.1501.0710	0606.1501.1010
620	0606.1501.0512	0606.1501.0712	0606.1501.1012

Shelves with punched holes



Profondità Rack mm	Codice acquisto		
	Larghezza Rack 42 TE	Larghezza Rack 60 TE	Larghezza Rack 84 TE
260	0606.1502.0504	0606.1502.0704	0606.1502.1004
350	0606.1502.0506	0606.1502.0706	0606.1502.1006
450	0606.1502.0508	0606.1502.0708	0606.1502.1008
550	0606.1502.0510	0606.1502.0710	0606.1502.1010
620	0606.1502.0512	0606.1502.0712	0606.1502.1012

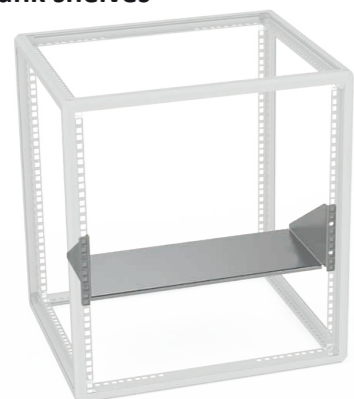
Couple support guides



Lunghezza mm	Purchase code
400	0606-1101-08
500	0606-1101-10

Magnelis® 15/10

Blank shelves



Useful Units	Useful depth mm	Purchase code
2	200	0101.0414.0220
2	300	0101.0414.0230
2	400	0101.0414.0240
3	200	0101.0414.0320
3	300	0101.0414.0330
3	400	0101.0414.0340

Steel 20/10 Painted ral 7035
EPOXY POLYESTER POWDER COATED

19" Width

Ventilated shelves

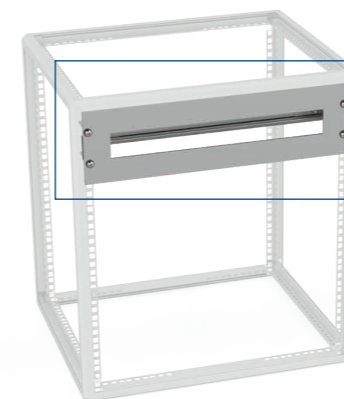


Useful Units	Useful depth mm	Purchase code
2	200	0101.0413.0220
2	300	0101.0413.0230
2	400	0101.0413.0240
3	200	0101.0413.0320
3	300	0101.0413.0330
3	400	0101.0413.0340

Steel 20/10 Painted ral 7035
EPOXY POLYESTER POWDER COATED

19" Width

Circuit breakers panels kit



Useful Units	Trattamento	Purchase code
3	Anodized	0505-7802-0355
3	Painted	0505-7803-0355

Aluminium 30/10 painted/Anodized

19" Width



Screws kit



N° for kit	Description	Purchase code
50	Cage nut: M4	1000-1000-04
50	Cage nut: M5	1000-1000-05
50	Cage nut: M6	1000-1000-06

Phillips head screw with black plastic washer and cage nut

*Cage nuts M4-M5-M6

SEE
PG.110

1/4 turn twist lock with key



Purchase code
0505.1404

Key included

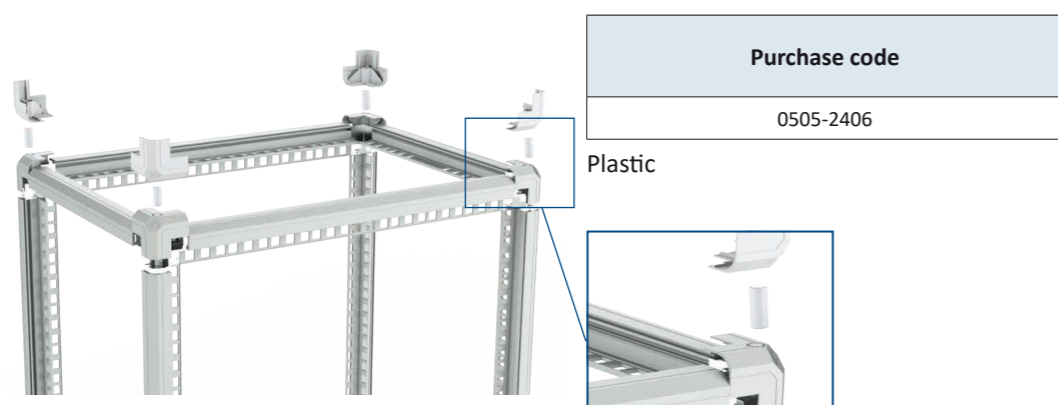
Door hinges



Purchase code
0505.2701
0505.2701.02*

Zama
*Hige for door in Lexan

Compact Rack overlay kit



Purchase code

0505.2406

Plastic



Foot h 4 mm



Purchase code

0505.2302

Black plastic

Foot h 16 mm



Purchase code

0505.2304

Black plastic

Foldable foot

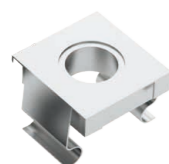


Purchase code

0505.2305

Black plastic

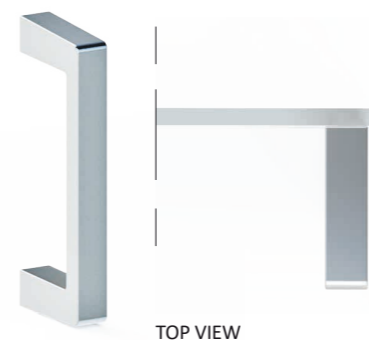
Cage nuts



Size	Metal sheet thickness mm	Purchase code
M4	0,7-1,6	1000.0403.04
M4	1,2-1,6	1000.0403.0402
M5	0,7-1,6	1000.0403.05
M6	0,7-1,6	1000.0403.06

Nut: White galvanized steel
Cage: Stainless steel

Extruded handles



TOP VIEW

U	Hole type	Handle thickness mm	Wheelbase mm	Purchase code
2	M4	12	45	0505.0701.0212
3	M4	12	88	0505.0701.0312
4	M4	12	133.4	0505.0701.0412
5	M4	12	133.4	0505.0701.0412
6	M4	12	133.4	0505.0701.0412

Extruded aluminium EN AW 6060 T6 - Anodized

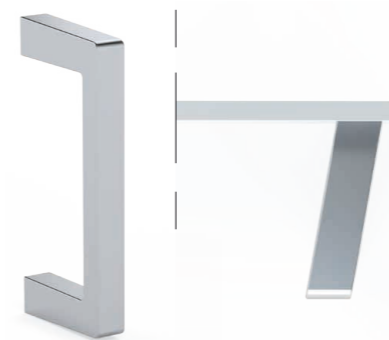
» The code refers to the single handle

» Use with frontal panel with holes

» Upon request M5

SEE
PG. 105

Extruded handles inclined 10°



TOP VIEW

U	Hole type	Handle thickness mm	Wheelbase mm	Purchase code
3	M4	12	88	0505.0703.0312
4	M4	12	133.4	0505.0703.0412
5	M4	12	133.4	0505.0703.0412
6	M4	12	133.4	0505.0703.0412

Extruded aluminium EN AW 6060 T6 - Anodized

» The code refers to the single handle

» Use with frontal panel with holes

» Upon request M5

SEE
PG. 105

Round handles



U	Hole type	Ø Handle mm	Wheelbase mm	Purchase code
3	M4	8	88	0505.0704.0308
4	M4	8	133.4	0505.0704.0408
5	M4	8	133.4	0505.0704.0408
6	M4	8	133.4	0505.0704.0408

Aluminium

» The code refers to the single handle

» Use with frontal panel with holes

SEE
PG. 105

Round handles (stainless steel)



U	Hole type	Ø Handle mm	Wheelbase mm	Purchase code
3	M4	8	88	0505.0711.0308
4	M4	8	133.4	0505.0711.0408
5	M4	8	133.4	0505.0711.0408
6	M4	8	133.4	0505.0711.0408

Stainless steel

» The code refers to the single handle

» Use with frontal panel with holes

SEE
PG. 105

Two perforated wings vertical main profiles



Useful Units	N° perforated wings	Purchase code
2	2	0606.0204.0202
3	2	0606.0204.0302
4	2	0606.0204.0402
5	2	0606.0204.0502
6	2	0606.0204.0602
7	2	0606.0204.0702
8	2	0606.0204.0802
9	2	0606.0204.0902
10	2	0606.0204.1002
11	2	0606.0204.1102
12	2	0606.0204.1202
13	2	0606.0204.1302
14	2	0606.0204.1402
15	2	0606.0204.1502
18	2	0606.0204.1802

Extruded aluminium painted RAL 7035
EPOXY POLYESTER POWDER COATED

One perforated wing horizontal main profiles - Width



Useful Units	N° perforated wings	Purchase code
5	1	0606.0101.0501
7	1	0606.0101.0701
10	1	0606.0101.1001

Extruded aluminium painted RAL 7035
EPOXY POLYESTER POWDER COATED

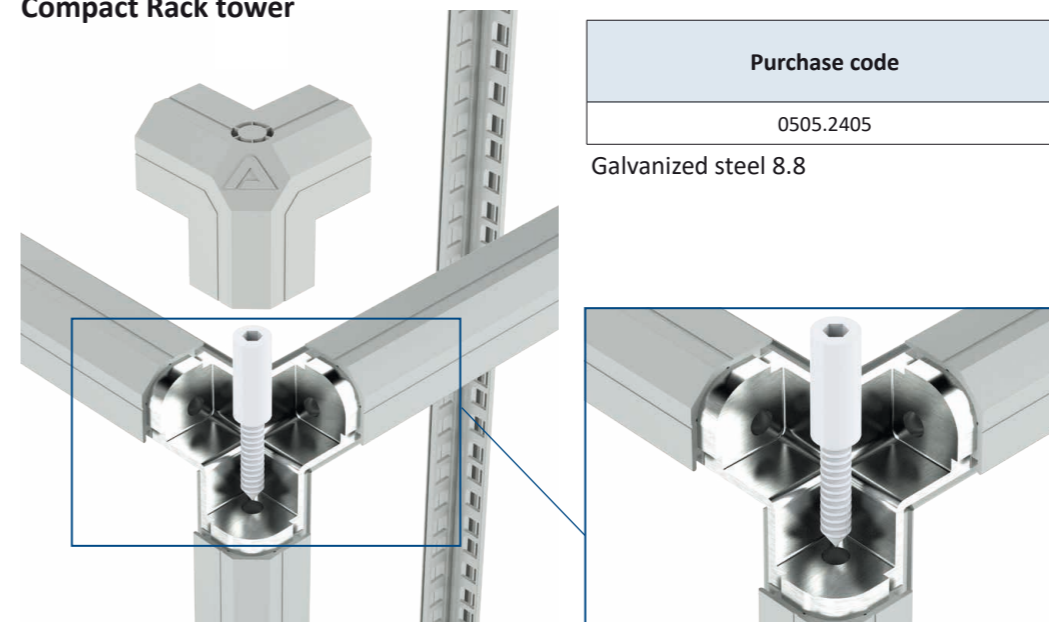
Two perforated wings horizontal main profiles - Depth



Useful Units	N° perforated wings	Purchase code
4	2	0606.0201.0402
6	2	0606.0201.0602
8	2	0606.0201.0802
10	2	0606.0201.1002
12	2	0606.0201.1202

Extruded aluminium painted RAL 7035
EPOXY POLYESTER POWDER COATED

Compact Rack tower

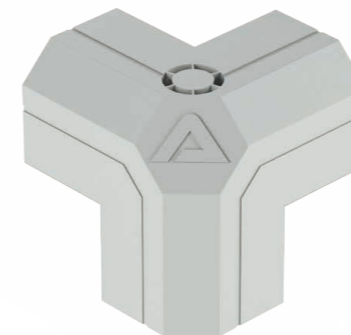


Purchase code

0505.2405

Galvanized steel 8.8

Three way joint plastic cover



Colour	RAL	Purchase code
Light grey	7035	0505.1106

PA66 RAL 7035

Customizable cover with Logo. Minimum quantity 50 racks

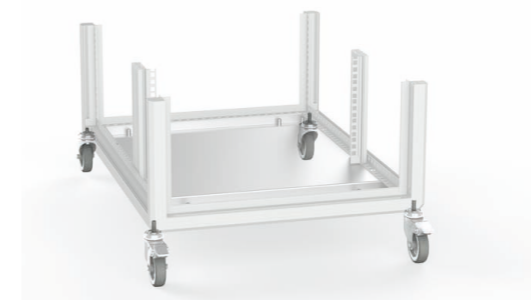
Allen head screw M5x30



Size	Purchase code
∅ 5 x 30	1000.0103.0530

Galvanized steel

Wheels ∅ 60 mm kit for compactrack



Code kit	N° for kit	Description	Payload daN	h mm	Purchase code
0505-3805-60	2	Rotating wheels with brake	40	127	0505.3804.60
	2	Rotating wheels	40	127	0505.3803.60
	4	M 5x30 Allen head	\	\	1000.0101.0530
	4	Grover M 5	\	\	1000.0302.05
	4	Instert	\	\	1000.1004.0510

Double spherical ball bearing / rubber + propylene bearing

COLOURS

The aluminium frame can be supplied in different colors.
In addition to the color, it is possible to insert a customization into the hexagon present on the joint-cap.
The choice of colors will increase the identifiability of the product as unique.

MECHANICAL CUSTOMIZATION:

Thanks to modern machining technology, it is possible to customize every single piece, thus allowing the elimination of additional working and reducing delivery time.

SERIES CUSTOMIZATION:

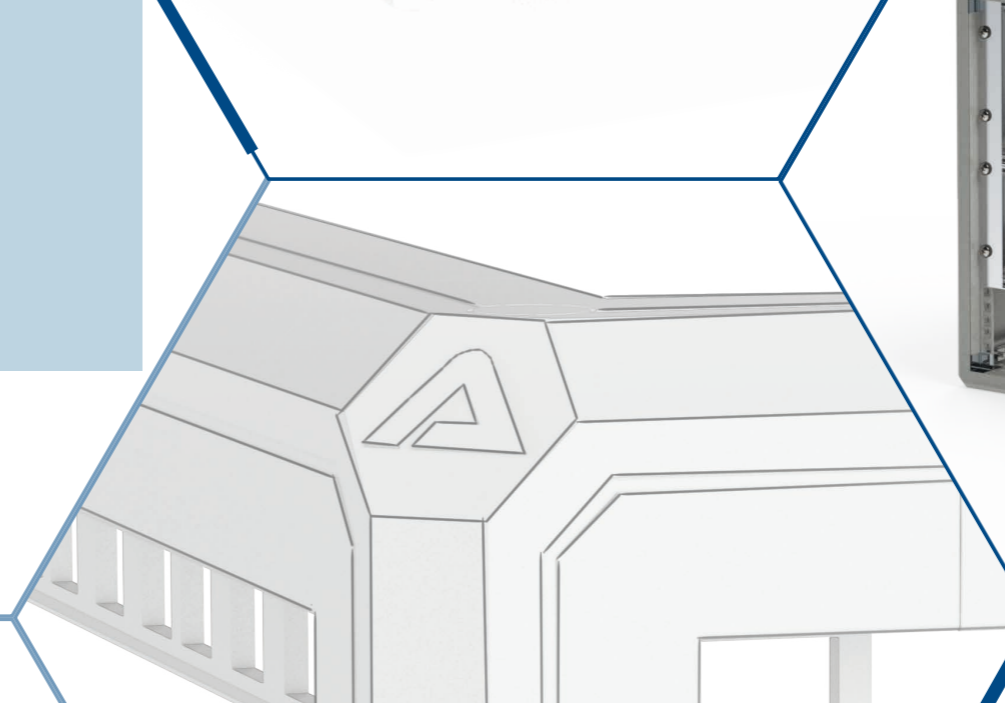
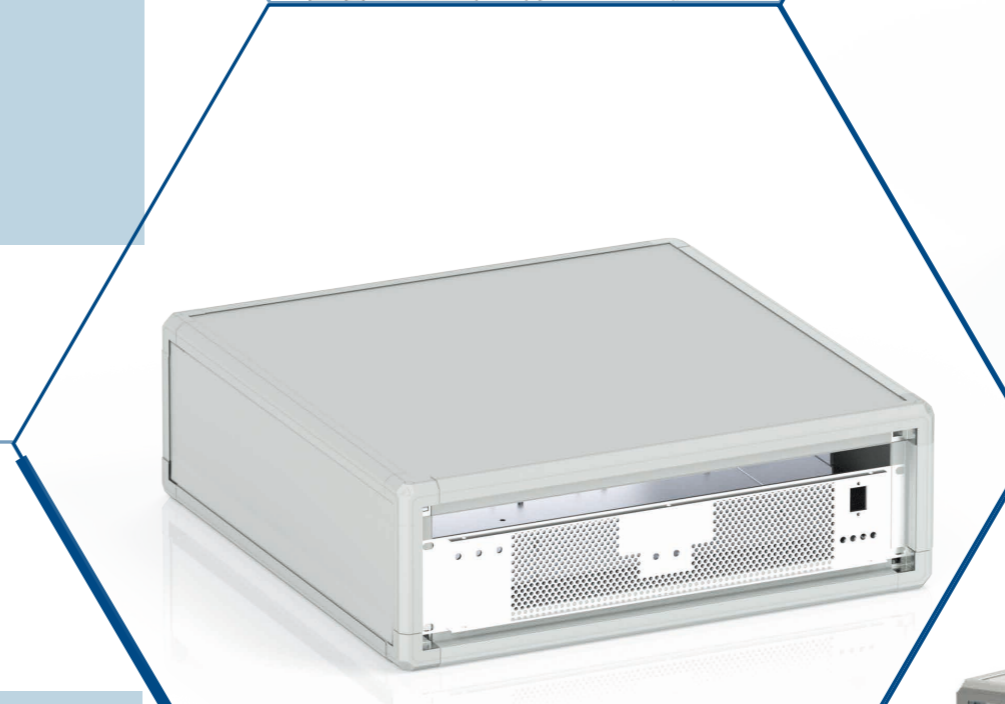
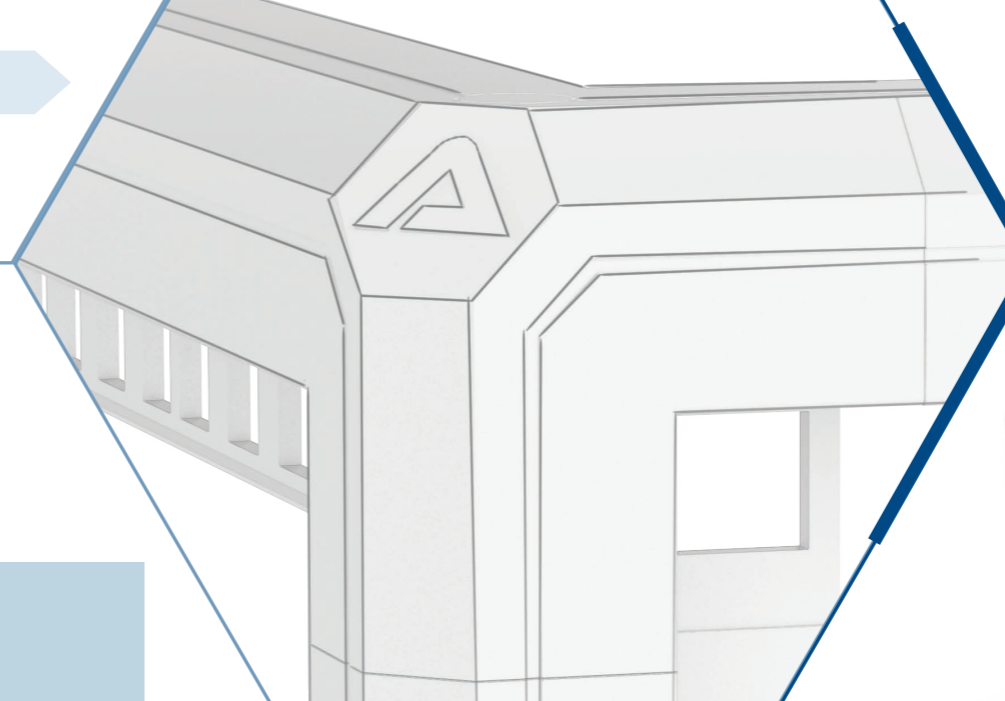
In case of high volumes, the customization procedures will be optimized, reducing costs and timing by transforming the custom product into a standard one.

SERIGRAPHY:

In addition to the possibility of different colors of the outside structure, all internal components, such as the front panels, can be customized with serigraphic printing that allows to utilize a wide range of bright colours, texts, images or logos.

FINISHING:

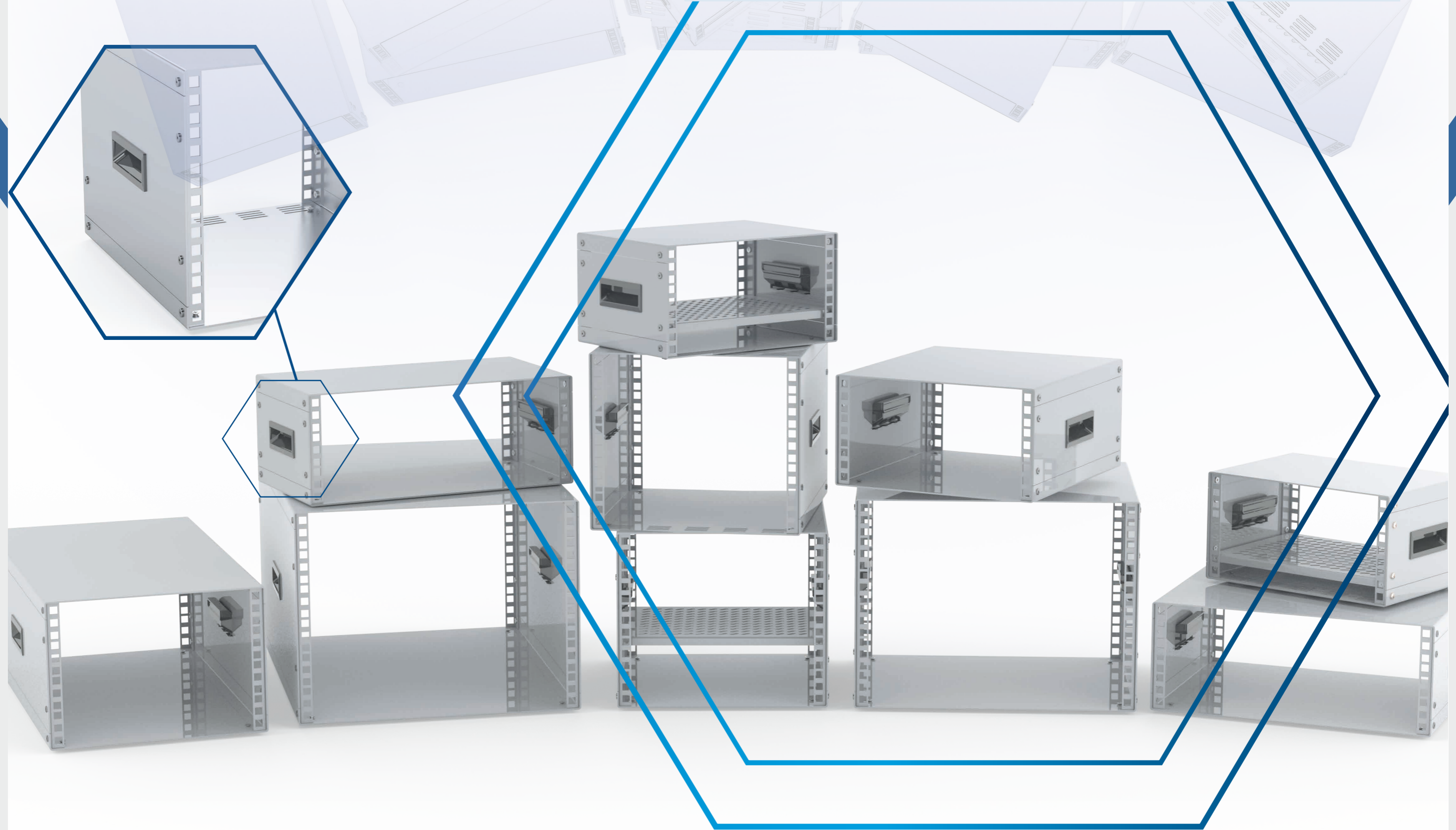
The most widely used material is aluminium, for which we have several surface treatments such as:
SURTEC 650: a liquid process that provides the substrate with high corrosion protection: 336 h in simple saline mist and 150 h in acetic saline mist.
ANODIZATION: a non-spontaneous electrochemical process by which a protective layer is formed on the surface of the treated metal and protects it from corrosion.

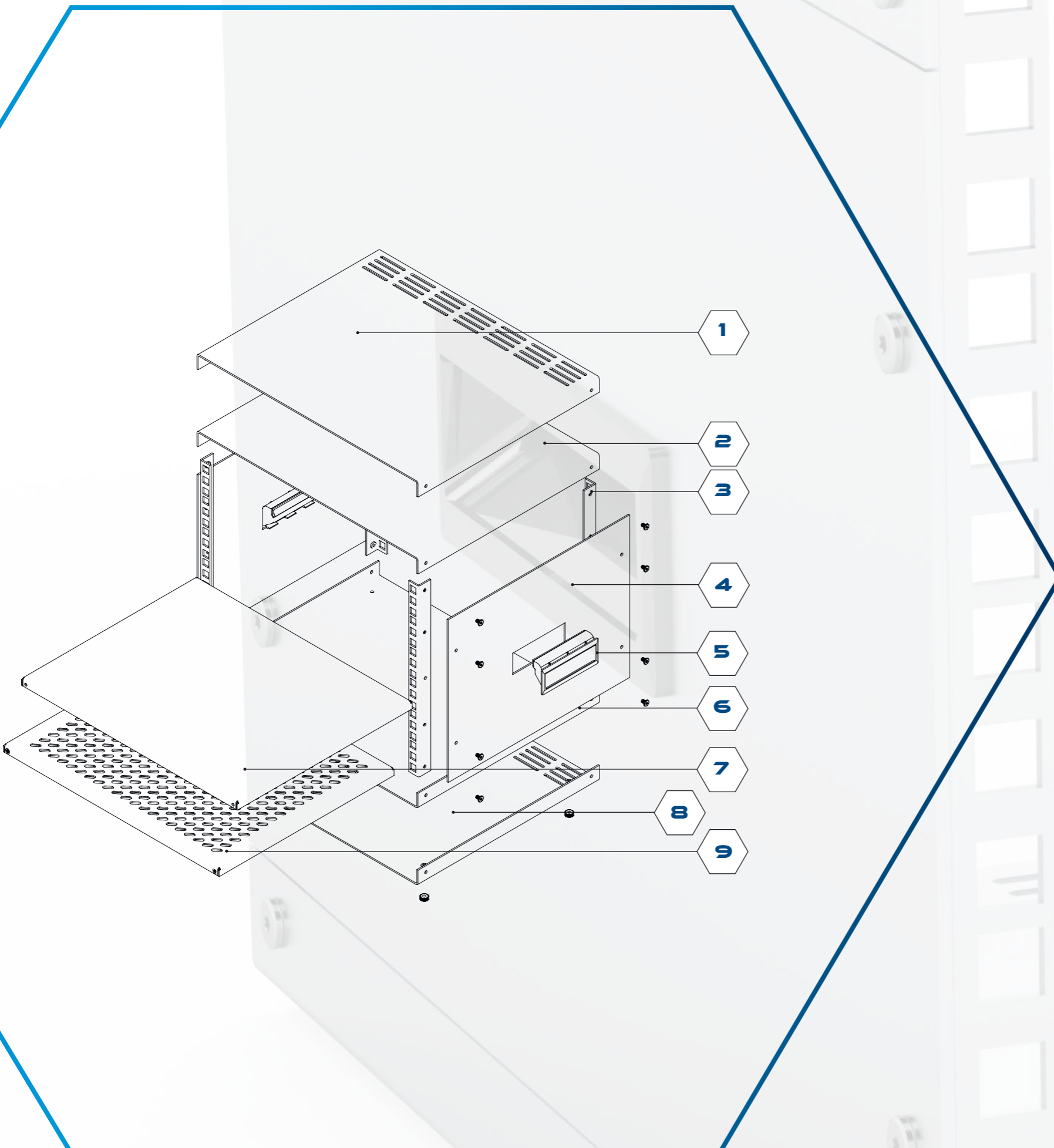


SIMPLE RACK



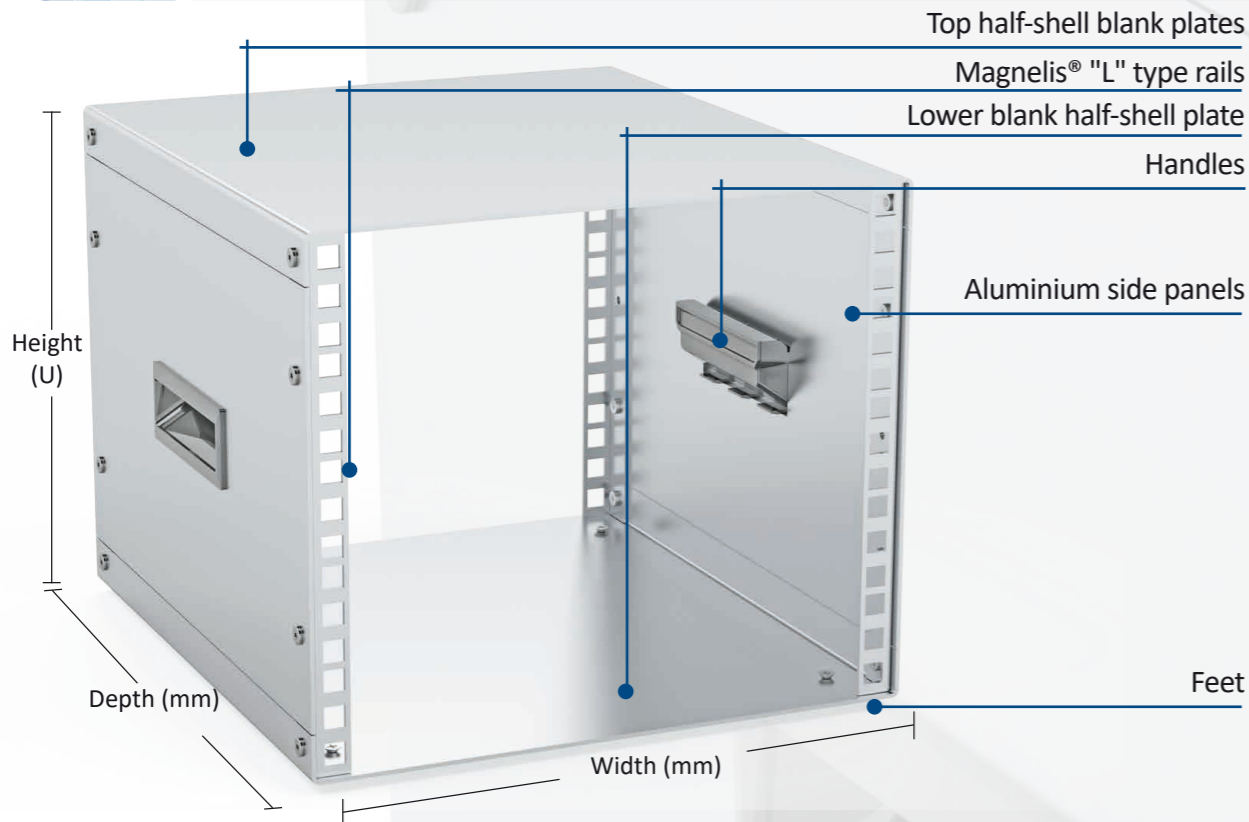
19" compact and lightweight rack containers built according to IEC 60297 - DIN 41494 specifications. They are composed of 2 half-shells, 2 side panels and 4 19" rack rails assembled together. Modularity – availability of a wide range of accessories. These features allow a huge variety of applications in various fields.





- 1** >>> Top half-shell plates with punched holes **PG. 122**
- 2** >>> Top half-shell blank plates **PG. 122**
- 3** >>> "L" type rails **PG. 124**
- 4** >>> Side panels **PG. 124**
- 5** >>> Handles **PG. 126**
- 6** >>> Lower half-shell blank plates **PG. 123**
- 7** >>> Blank shelves **PG. 125**
- 8** >>> Shelves with punched holes **PG. 125**
- 9** >>> Lower half-shell plates with punched holes **PG. 123**

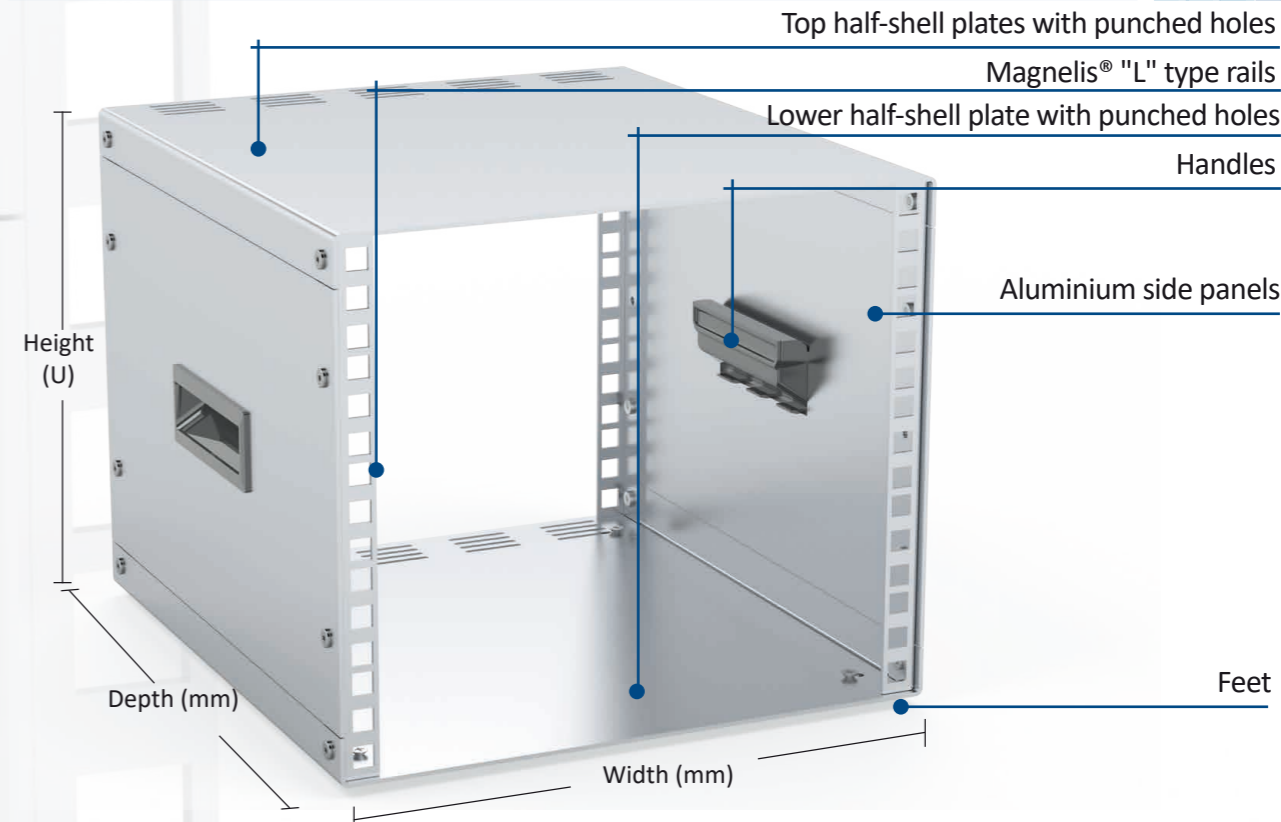
BLANK SIMPLE RACK



Height U	Height mm	Depth mm	Purchase code		
			Total width 315 mm Width 42 TE	Total width 405 mm Width 60 TE	Total width 527 mm Width 84 TE
2	89	200	0707-0102-4220	0707-0102-6020	0707-0102-8420
2	89	300	0707-0102-4230	0707-0102-6030	0707-0102-8430
2	89	400	0707-0102-4240	0707-0102-6040	0707-0102-8440
2	89	500	0707-0102-4250	0707-0102-6050	0707-0102-8450
2	89	600	0707-0102-4260	0707-0102-6060	0707-0102-8460
3	145	200	0707-0103-4220	0707-0103-6020	0707-0103-8420
3	145	300	0707-0103-4230	0707-0103-6030	0707-0103-8430
3	145	400	0707-0103-4240	0707-0103-6040	0707-0103-8440
3	145	500	0707-0103-4250	0707-0103-6050	0707-0103-8450
3	145	600	0707-0103-4260	0707-0103-6060	0707-0103-8460
4	190	200	0707-0104-4220	0707-0104-6020	0707-0104-8420
4	190	300	0707-0104-4230	0707-0104-6030	0707-0104-8430
4	190	400	0707-0104-4240	0707-0104-6040	0707-0104-8440
4	190	500	0707-0104-4250	0707-0104-6050	0707-0104-8450
4	190	600	0707-0104-4260	0707-0104-6060	0707-0104-8460
5	235	200	0707-0105-4260	0707-0105-6020	0707-0105-8420
5	235	300	0707-0105-4230	0707-0105-6030	0707-0105-8430
5	235	400	0707-0105-4240	0707-0105-6040	0707-0105-8440
5	235	500	0707-0105-4250	0707-0105-6050	0707-0105-8450
5	235	600	0707-0105-4260	0707-0105-6060	0707-0105-8460
6	280	200	0707-0106-4220	0707-0106-6020	0707-0106-8420
6	280	300	0707-0106-4230	0707-0106-6030	0707-0106-8430
6	280	400	0707-0106-4240	0707-0106-6040	0707-0106-8440
6	280	500	0707-0106-4250	0707-0106-6050	0707-0106-8450
6	280	600	0707-0106-4260	0707-0106-6060	0707-0106-8460

Aluminium 20/10 prepainted RAL 7035 EPOXY POLYESTER POWDER COATED

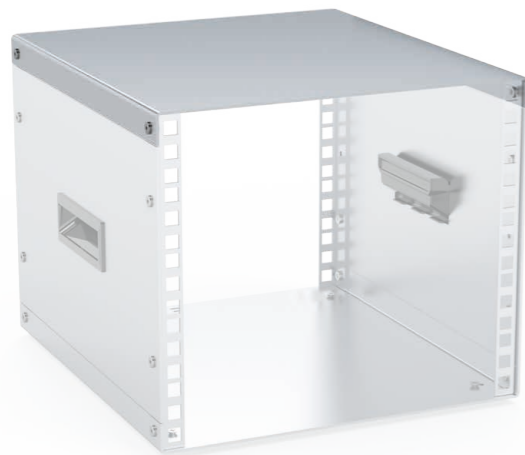
VENTILATED SIMPLE RACK



Height U	Height mm	Depth mm	Purchase code		
			Total width 315 mm Width 42 TE	Total width 405 mm Width 60 TE	Total width 527 mm Width 84 TE
2	89	200	0707-0202-4220	0707-0202-6020	0707-0202-8420
2	89	300	0707-0202-4230	0707-0202-6030	0707-0202-8430
2	89	400	0707-0202-4240	0707-0202-6040	0707-0202-8440
2	89	500	0707-0202-4250	0707-0202-6050	0707-0202-8450
2	89	600	0707-0202-4260	0707-0202-6060	0707-0202-8460
3	145	200	0707-0203-4220	0707-0203-6020	0707-0203-8420
3	145	300	0707-0203-4230	0707-0203-6030	0707-0203-8430
3	145	400	0707-0203-4240	0707-0203-6040	0707-0203-8440
3	145	500	0707-0203-4250	0707-0203-6050	0707-0203-8450
3	145	600	0707-0203-4260	0707-0203-6060	0707-0203-8460
4	190	200	0707-0204-4220	0707-0204-6020	0707-0204-8420
4	190	300	0707-0204-4230	0707-0204-6030	0707-0204-8430
4	190	400	0707-0204-4240	0707-0204-6040	0707-0204-8440
4	190	500	0707-0204-4250	0707-0204-6050	0707-0204-8450
4	190	600	0707-0204-4260	0707-0204-6060	0707-0204-8460
5	235	200	0707-0205-4260	0707-0205-6020	0707-0205-8420
5	235	300	0707-0205-4230	0707-0205-6030	0707-0205-8430
5	235	400	0707-0205-4240	0707-0205-6040	0707-0205-8440
5	235	500	0707-0205-4250	0707-0205-6050	0707-0205-8450
5	235	600	0707-0205-4260	0707-0205-6060	0707-0205-8460
6	280	200	0707-0206-4220	0707-0206-6020	0707-0206-8420
6	280	300	0707-0206-4230	0707-0206-6030	0707-0206-8430
6	280	400	0707-0206-4240	0707-0206-6040	0707-0206-8440
6	280	500	0707-0206-4250	0707-0206-6050	0707-0206-8450
6	280	600	0707-0206-4260	0707-0206-6060	0707-0206-8460

Aluminium 20/10 prepainted RAL 7035 EPOXY POLYESTER POWDER COATED

Top half-shell blank plates



Depth mm	Purchase code		
	Total width 315 mm Width 42 TE	Total width 405 mm Width 60 TE	Total width 527 mm Width 84 TE
200	0707.0101.4220	0707.0101.6020	0707.0101.8420
300	0707.0101.4230	0707.0101.6030	0707.0101.8430
400	0707.0101.4240	0707.0101.6040	0707.0101.8440
500	0707.0101.4250	0707.0101.6050	0707.0101.8450
600	0707.0101.4260	0707.0101.6060	0707.0101.8460

Aluminium 20/10 prepainted RAL 7035
EPOXY POLYESTER POWDER COATED

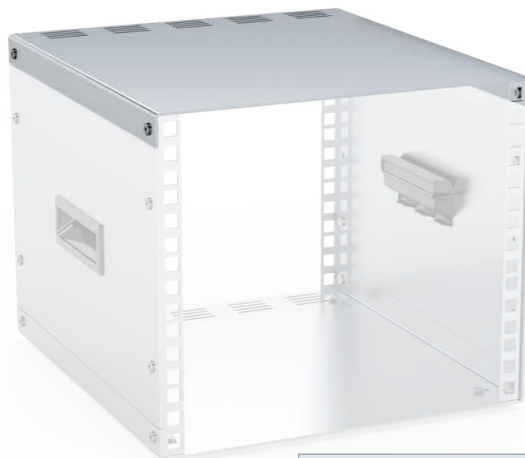
Lower half-shell blank plates



Depth mm	Purchase code		
	Total width 315 mm Width 42 TE	Total width 405 mm Width 60 TE	Total width 527 mm Width 84 TE
200	0707.0103.4220	0707.0103.6020	0707.0103.8420
300	0707.0103.4230	0707.0103.6030	0707.0103.8430
400	0707.0103.4240	0707.0103.6040	0707.0103.8440
500	0707.0103.4250	0707.0103.6050	0707.0103.8450
600	0707.0103.4260	0707.0103.6060	0707.0103.8460

Aluminium 20/10 prepainted RAL 7035
EPOXY POLYESTER POWDER COATED

Top half-shell plates with punched holes



Depth mm	Purchase code		
	Total width 315 mm Width 42 TE	Total width 405 mm Width 60 TE	Total width 527 mm Width 84 TE
200	0707.0102.4220	0707.0102.6020	0707.0102.8420
300	0707.0102.4230	0707.0102.6030	0707.0102.8430
400	0707.0102.4240	0707.0102.6040	0707.0102.8440
500	0707.0102.4250	0707.0102.6050	0707.0102.8450
600	0707.0102.4260	0707.0102.6060	0707.0102.8460

Aluminium 20/10 prepainted RAL 7035
EPOXY POLYESTER POWDER COATED

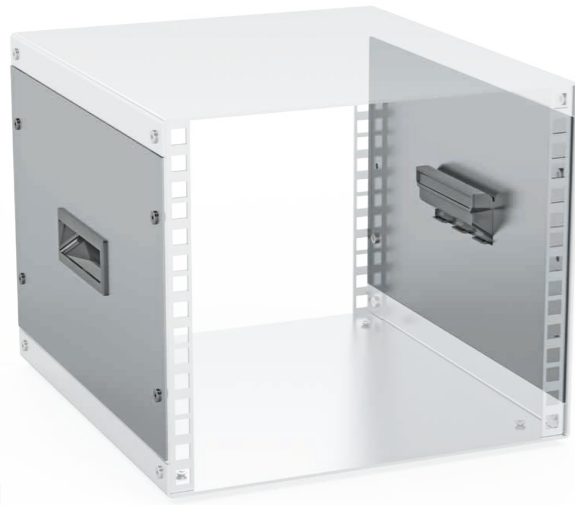
Lower half-shell plates with punched holes



Depth mm	Purchase code		
	Total width 315 mm Width 42 TE	Total width 405 mm Width 60 TE	Total width 527 mm Width 84 TE
200	0707.0104.4220	0707.0104.6020	0707.0104.8420
300	0707.0104.4230	0707.0104.6030	0707.0104.8430
400	0707.0104.4240	0707.0104.6040	0707.0104.8440
500	0707.0104.4250	0707.0104.6050	0707.0104.8450
600	0707.0104.4260	0707.0104.6060	0707.0104.8460

Aluminium 20/10 prepainted RAL 7035
EPOXY POLYESTER POWDER COATED

Side panels



Height in U	Depth mm	Purchase code
2	200	0707.0401.0220
2	300	0707.0401.0230
2	400	0707.0401.0240
2	500	0707.0401.0250
2	600	0707.0401.0260
3	200	0707.0401.0320
3	300	0707.0401.0330
3	400	0707.0401.0340
3	500	0707.0401.0350
3	600	0707.0401.0360
4	200	0707.0401.0420
4	300	0707.0401.0430
4	400	0707.0401.0440
4	500	0707.0401.0450
4	600	0707.0401.0460
5	200	0707.0401.0520
5	300	0707.0401.0530
5	400	0707.0401.0540
5	500	0707.0401.0550
5	600	0707.0401.0560
6	200	0707.0401.0620
6	300	0707.0401.0630
6	400	0707.0401.0640
6	500	0707.0401.0650
6	600	0707.0401.0660

Use with handles provided separately SEE PG. 127

Aluminium 20/10 prepainted RAL 7035
EPOXY POLYESTER POWDER COATED

Blank shelves



Depth mm	Purchase code		
	Total width 315 mm Width 42 TE	Total width 405 mm Width 60 TE	Total width 527 mm Width 84 TE
200	0707.0301.2042	0707.0301.2060	0707.0301.2084
300	0707.0301.3042	0707.0301.3060	0707.0301.3084
400	0707.0301.4042	0707.0301.4060	0707.0301.4084
500	0707.0301.5042	0707.0301.5060	0707.0301.5084
600	0707.0301.6042	0707.0301.6060	0707.0301.6084

Magnelis® 15/10

Shelves with punched holes



Depth mm	Purchase code		
	Total width 315 mm Width 42 TE	Total width 405 mm Width 60 TE	Total width 527 mm Width 84 TE
200	0707.0302.2042	0707.0302.2060	0707.0302.2084
300	0707.0302.3042	0707.0302.3060	0707.0302.3084
400	0707.0302.4042	0707.0302.4060	0707.0302.4084
500	0707.0302.5042	0707.0302.5060	0707.0302.5084
600	0707.0302.6042	0707.0302.6060	0707.0302.6084

Magnelis® 15/10

"L" type rails



Height in U	Purchase code
2	0707.0201.02
3	0707.0201.03
4	0707.0201.04
5	0707.0201.05
6	0707.0201.06

Magnelis® 15/10

The code refers to the single profiles

Blank front panel



Height in U	TE	Purchase code	
		Anodized	Painted ral 7035
1	42	0505.2901.0501	0505.2905.0501
1	60	0505.2901.0701	0505.2905.0701
1	84	0505.2901.1001	0505.2905.1001
2	42	0505.2901.0502	0505.2905.0502
2	60	0505.2901.0702	0505.2905.0702
2	84	0505.2901.1002	0505.2905.1002
3	42	0505.2901.0503	0505.2905.0503
3	60	0505.2901.0703	0505.2905.0703
3	84	0505.2901.1003	0505.2905.1003
4	42	0505.2901.0504	0505.2905.0504
4	60	0505.2901.0704	0505.2905.0704
4	84	0505.2901.1004	0505.2905.1004
5	42	0505.2901.0505	0505.2905.0505
5	60	0505.2901.0705	0505.2905.0705
5	84	0505.2901.1005	0505.2905.1005
6	42	0505.2901.0506	0505.2905.0506
6	60	0505.2901.0706	0505.2905.0706
6	84	0505.2901.1006	0505.2905.1006

Aluminium 30/10 - Anodized - Painted RAL 7035

Ventilated front panel



Height in U	TE	Purchase code	
		Anodized	Painted ral 7035
1	42	0505.2902.0501	0505.2906.0501
1	60	0505.2902.0701	0505.2906.0701
1	84	0505.2902.1001	0505.2906.1001
2	42	0505.2902.0502	0505.2906.0502
2	60	0505.2902.0702	0505.2906.0702
2	84	0505.2902.1002	0505.2906.1002
3	42	0505.2902.0503	0505.2906.0503
3	60	0505.2902.0703	0505.2906.0703
3	84	0505.2902.1003	0505.2906.1003
4	42	0505.2902.0504	0505.2906.0504
4	60	0505.2902.0704	0505.2906.0704
4	84	0505.2902.1004	0505.2906.1004
5	42	0505.2902.0505	0505.2906.0505
5	60	0505.2902.0705	0505.2906.0705
5	84	0505.2902.1005	0505.2906.1005
6	42	0505.2902.0506	0505.2906.0506
6	60	0505.2902.0706	0505.2906.0706
6	84	0505.2902.1006	0505.2906.1006

Aluminium 30/10 - Anodized - Painted RAL 7035

Foot h 4 mm



Purchase code
0505.2302

Black plastic

supplied in the standard simple rack

Foot h 16 mm



Purchase code
0505.2304

Black plastic

Foldable foot



Purchase code
0505.2305

Black plastic

Handle



Purchase code
0505.0705.03

Plastic

The code refers to the single handle

Use with side panel

SEE PG. 124

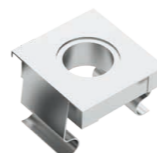
M4x6 torx head screw



Size	Purchase code
∅ 4 x 6	1000.0118.0406

Galvanized steel

Cage nuts



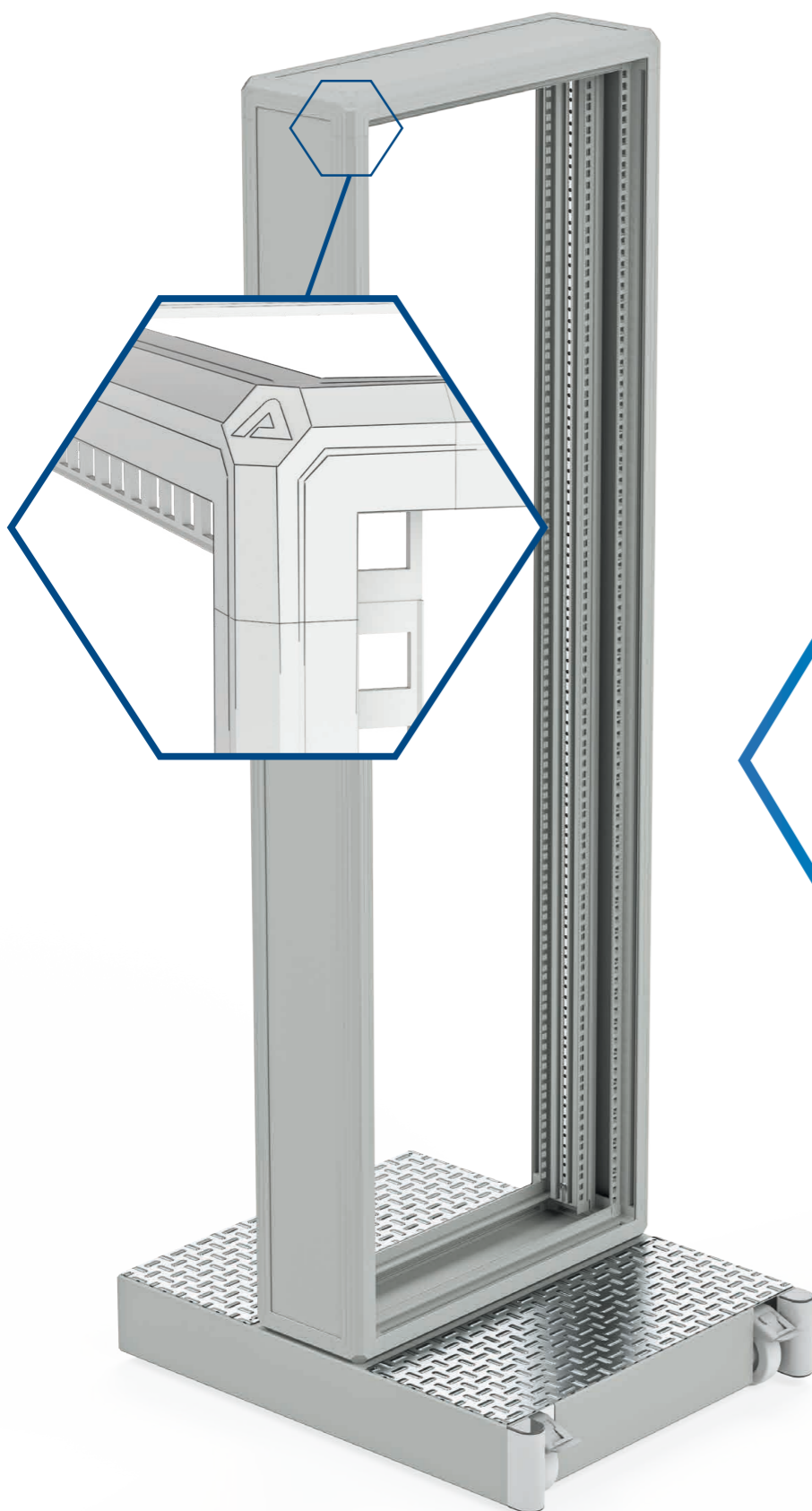
Size	Metal sheet thickness mm	Purchase code
M4	0,7-1,6	1000.0403.04
M4	1,2-1,6	1000.0403.0402
M5	0,7-1,6	1000.0403.05
M6	0,7-1,6	1000.0403.06

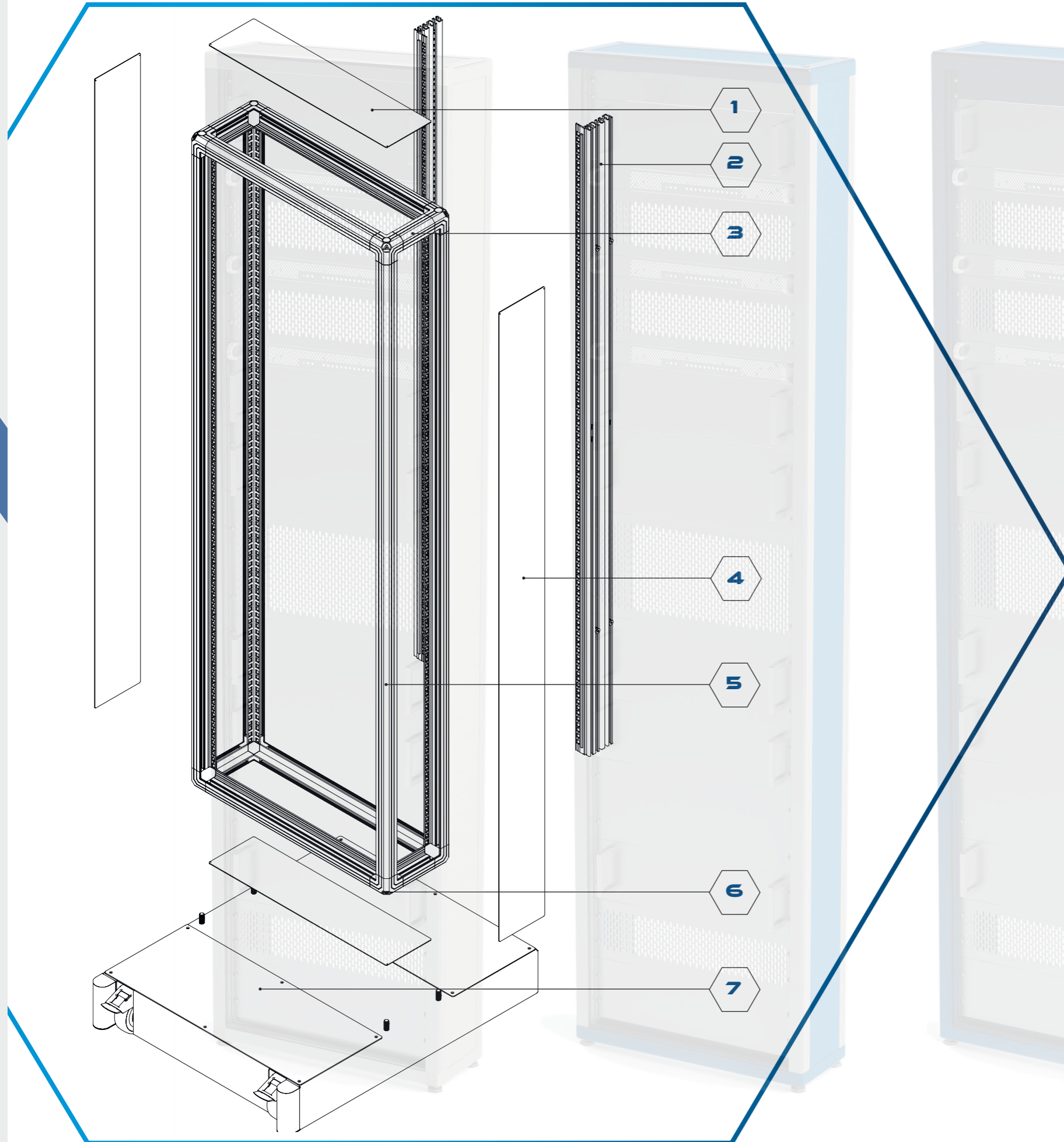
Nut: White galvanized steel

Cage: Stainless steel



19" rack frames, available with or without base for wall applications in test laboratories, built according to IEC 60297 - DIN 41494 specifications.
 The frame is made of painted extruded painted aluminium profiles assembled together.
 Maximum load capacity - modularity - availability of a wide range of accessories.
 These features allow a huge variety of applications in testing facilities and laboratories.





- 1** >>> Not removable top panel **PG. 134**
- 2** >>> 19" Rails **PG. 136**
- 3** >>> Main profiles **PG. 135**
- 4** >>> Side panels **PG. 134**
- 5** >>> Vertical profiles **PG. 135**
- 6** >>> Feet **PG. 136**
- 7** >>> Base with caster wheels **PG. 134**

LAB RACK

Steel top panel

Steel side panels

Extruded aluminium profiles frame

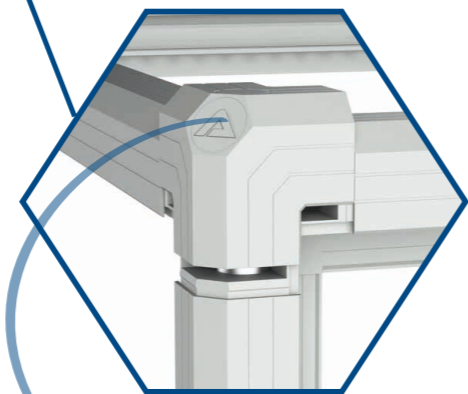
19" rails in extruded aluminium

Feet

Width (mm)

Height (U)

- STANDARD TREATMENT:**
- painted RAL 7035 Light grey
- OPTIONAL TREATMENT:**
- painted RAL 5017 Blu
 - painted RAL 7001 Grey
 - painted RAL 9005 Black
 - Conductive SURTEC 650



Customizable logo
Cod. page 136



Useful Units	Height mm	Depth mm	Width mm	Purchase code
12	635	200	600	0101/1212/6020
15	768	200	600	0101/1215/6020
18	902	200	600	0101/1218/6020
24	1168	200	600	0101/1224/6020
30	1435	200	600	0101/1230/6020
36	1702	200	600	0101/1236/6020

LAB RACK WITH BASE

Steel top panel

Steel side panels

Extruded aluminium profiles frame

19" rails in extruded aluminium

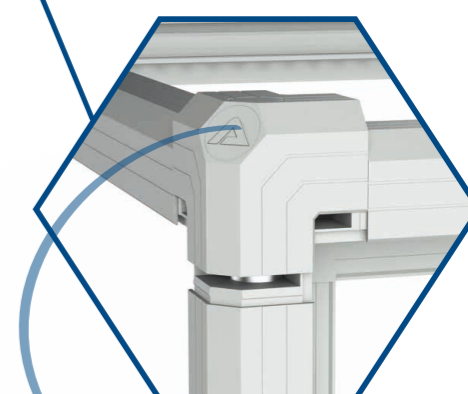
Base with caster wheels

Width (mm)

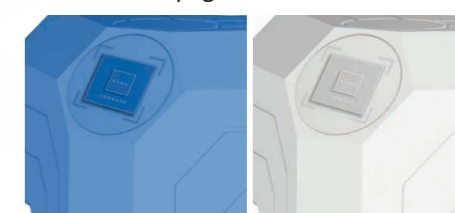
Depth (mm)

Height (U)

- STANDARD TREATMENT:**
- painted RAL 7035 Light grey
- OPTIONAL TREATMENT:**
- painted RAL 5017 Blu
 - painted RAL 7001 Grey
 - painted RAL 9005 Black
 - Conductive SURTEC 650



Customizable logo
Cod. page 136

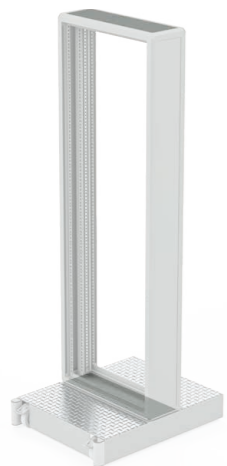


Useful Units	Height mm	Depth mm	Width mm	Purchase code
12	635+108	200	600	0101/1312/6020
15	768+108	200	600	0101/1315/6020
18	902+108	200	600	0101/1318/6020
24	1168+108	200	600	0101/1324/6020
30	1435+108	200	600	0101/1330/6020
36	1702+108	200	600	0101/1336/6020

Base

SEE
PG.134

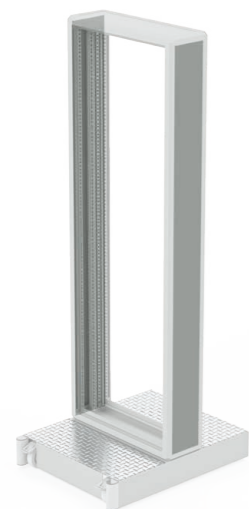
Not removable top panel



Purchase code width 600 mm x200 mm
0101.0602.6020

Steel 12/10 painted RAL 7035
EPOXY POLYESTER POWDER COATED

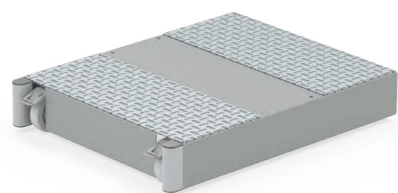
Side panels not removable



Rack depth mm	Useful Units	Purchase code width 600 mm
20	12	0101.0704.1220
20	15	0101.0704.1520
20	18	0101.0704.1820
20	24	0101.0704.2420
20	30	0101.0704.3020
20	36	0101.0704.3620

Steel 12/10 painted RAL 7035
EPOXY POLYESTER POWDER COATED

Base with caster wheels



Purchase code width 600 mm
0101-0506-60

Steel, Aluminium
Misure: 580x750x108 mm
Payload 400Kg

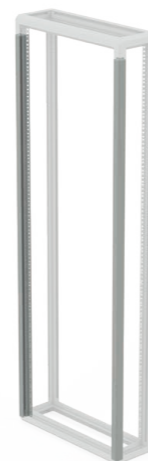
Two perforated wing vertical profiles



Useful Units	N° perforated wings	Purchase code
12	2	0101.0107.1202
15	2	0101.0107.1502
18	2	0101.0107.1802
24	2	0101.0107.2402
30	2	0101.0107.3002
36	2	0101.0107.3602

Extruded aluminium painted RAL 7035
EPOXY POLYESTER POWDER COATED

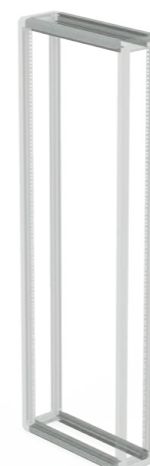
One perforated wing vertical profiles



Useful Units	N° perforated wings	Purchase code
12	2	0101.0107.1201
15	2	0101.0107.1501
18	2	0101.0107.1801
24	2	0101.0107.2401
30	2	0101.0107.3001
36	2	0101.0107.3601

Extruded aluminium painted RAL 7035
EPOXY POLYESTER POWDER COATED

One perforated wing horizontal profile - Width



Rack width mm	N° perforated wings	Purchase code
600	1	0101.1901.6001

Extruded aluminium painted RAL 7035
EPOXY POLYESTER POWDER COATED

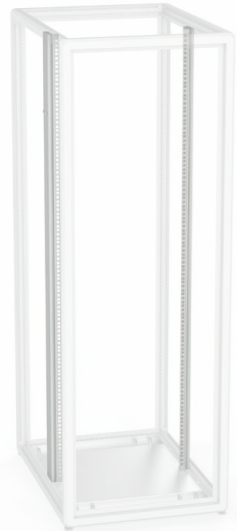
One perforated wing horizontal profile - Depth



Rack depth mm	N° perforated wings	Purchase code
200	2	0101.1901.2001

Extruded aluminium painted RAL 7035
EPOXY POLYESTER POWDER COATED

19" rack profiles kit



Useful Units	Purchase code width 600 mm
12	0101-0202-12
15	0101-0202-15
18	0101-0202-18
24	0101-0202-24
30	0101-0202-30
36	0101-0202-36

Kit in alluminio estruso painted RAL 7035
EPOXY POLYESTER POWDER COATED

Screws kit



N° for kit	Description	Purchase code
50	Cage nut: M4	1000-1000-04
50	Cage nut: M5	1000-1000-05
50	Cage nut: M6	1000-1000-06

Phillips head screw with black plastic washer and cage nut

Cage nuts



Size	Metal sheet thickness mm	Purchase code
M4	0,7-1,6	1000.0403.04
M4	1,2-1,6	1000.0403.0402
M5	0,7-1,6	1000.0403.05
M6	0,7-1,6	1000.0403.06

Nut: White galvanized steel
Cage: Stainless steel

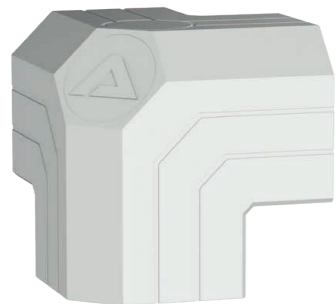
Allen head screw



Size	Purchase code
Ø 10 x 30	1000.0101.1030

Galvanized steel 8.8

Three way joint plastic cover



Colour	RAL	Purchase code
Light grey	7035	0505.1105
Black	9005	0505.1105.01
Blu	5017	0505.1105.02
Grey	7001	0505.1105.03

PA66
Customizable cover with Logo. Minimum quantity 50 racks



Adjustable foot



Size	Payload kg	Purchase code
M 10	50	0505.2301

Galvanized steel 8.8 and plastic base

The code refers to the single foot

COLOURS

The aluminium frame can be supplied in different colors.
In addition to the color, it is possible to insert a customization into the hexagon present on the joint-cap.
The choice of colors will increase the identifiability of the product as unique.

MECHANICAL CUSTOMIZATION:

Thanks to modern machining technology, it is possible to customize every single piece, thus allowing the elimination of additional working and reducing delivery time.

SERIES CUSTOMIZATION:

In case of high volumes, the customization procedures will be optimized, reducing costs and timing by transforming the custom product into a standard one.

SERIGRAPHY:

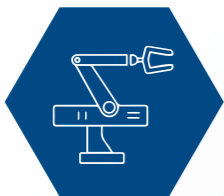
In addition to the possibility of different colors of the outside structure, all internal components, such as the front panels, can be customized with serigraphic printing that allows to utilize a wide range of bright colours, texts, images or logos.

FINISHING:

The most widely used material is aluminium, for which we have several surface treatments such as:
SURTEC 650: a liquid process that provides the substrate with high corrosion protection: 336 h in simple saline mist and 150 h in acetic saline mist.
ANODIZATION: a non-spontaneous electrochemical process by which a protective layer is formed on the surface of the treated metal and protects it from corrosion.



SUBRACK EXECUTIVE

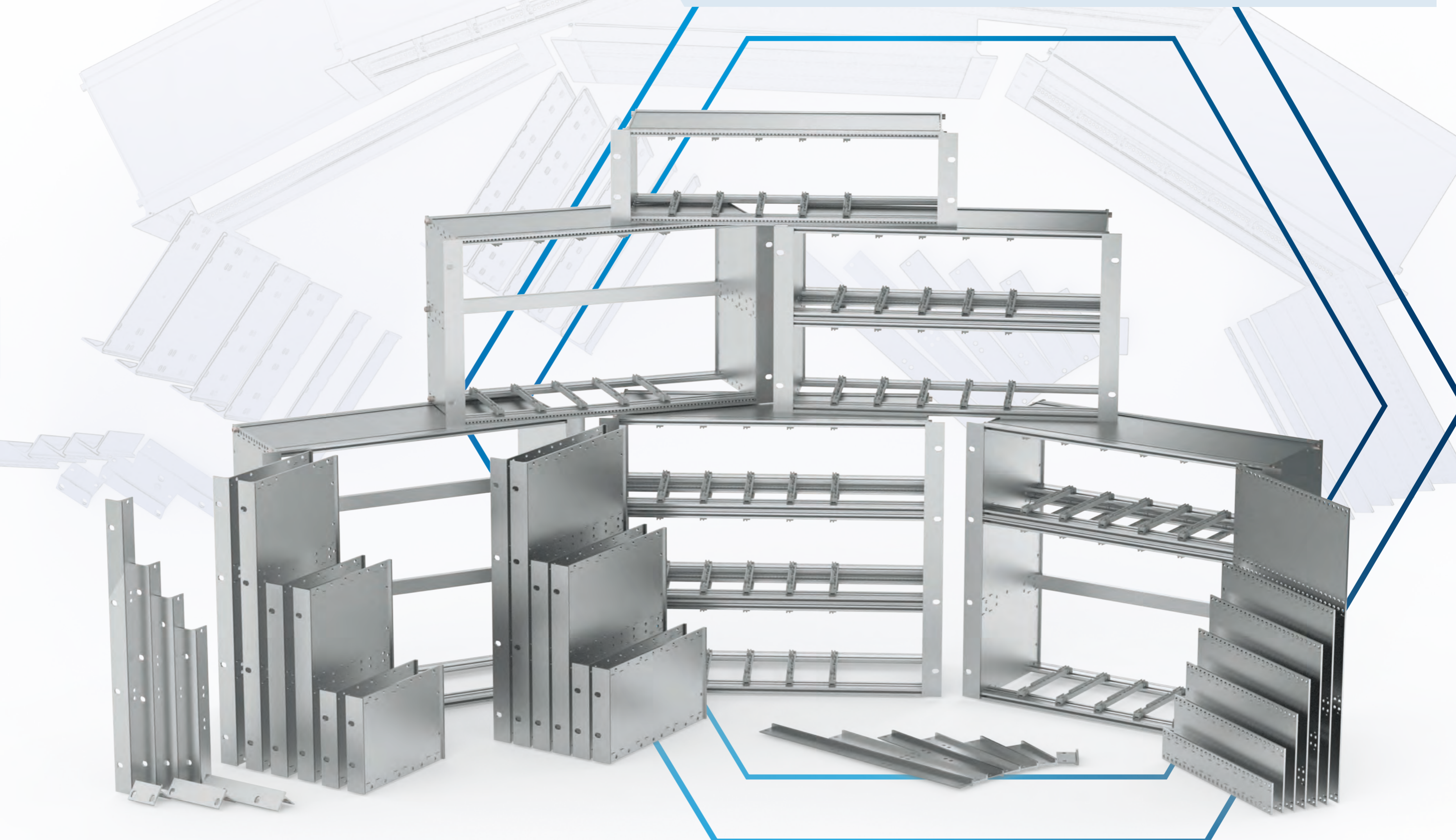


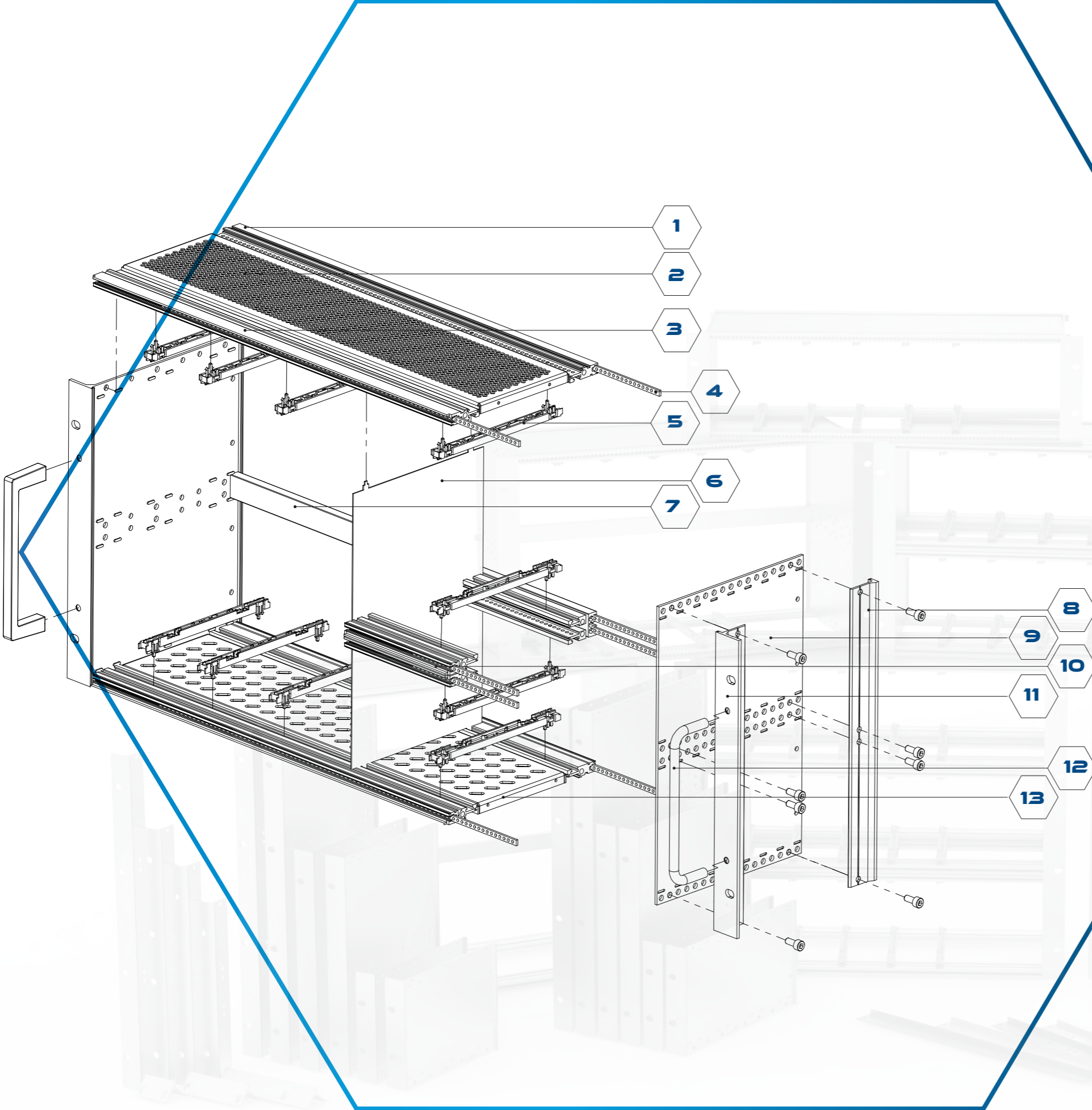
Subracks for Eurocard 3U x 160/220, 6U x 160/220 cards and various sizes, built according to IEC 60297 - DIN 41494 specifications.

They are composed of side panels and single-hole aluminium profiles, with Surtec 650 treated surface.

Strength - modularity - EMC compatibility – availability of a wide range of accessories.

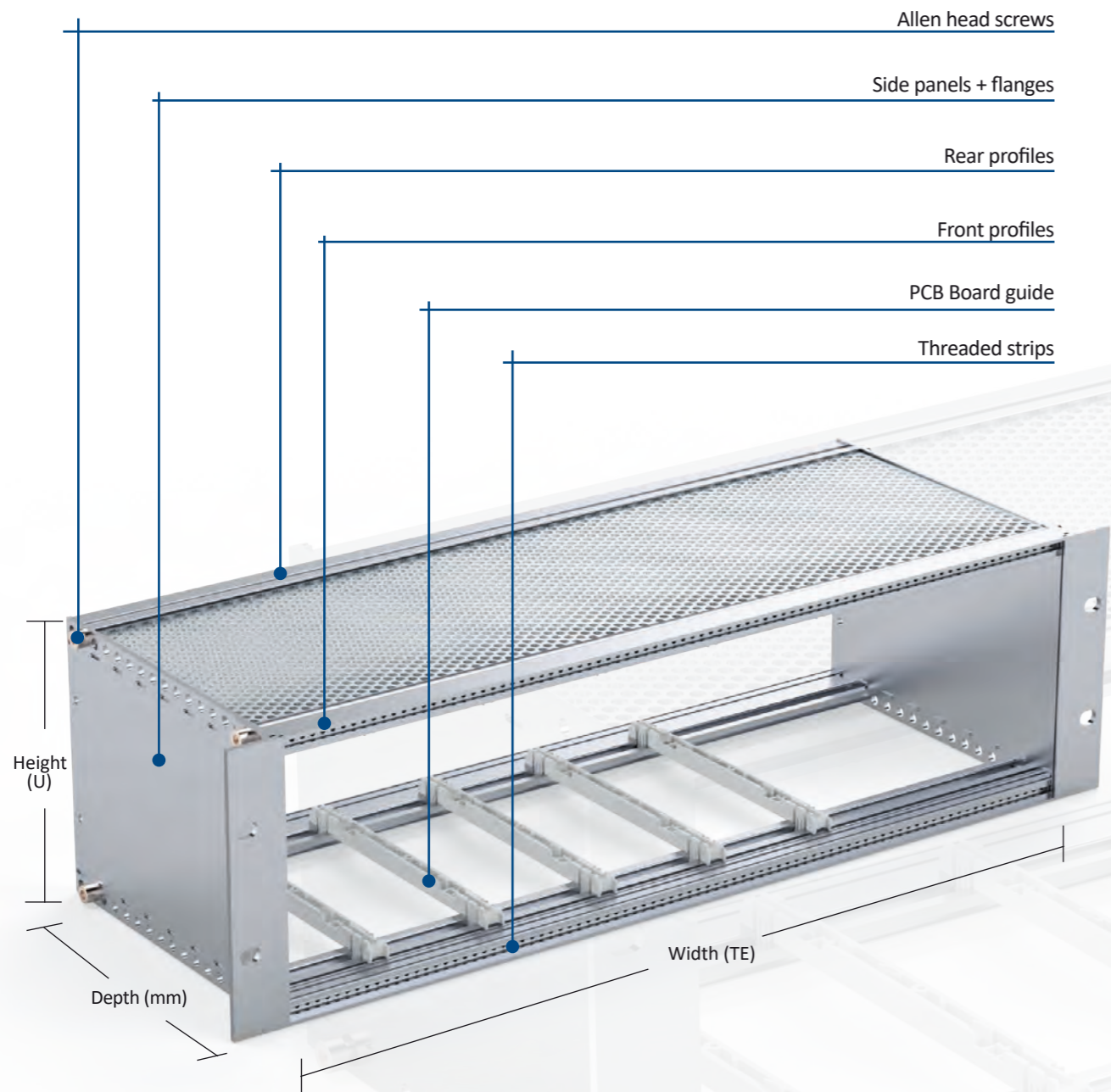
These features allow a huge variety of applications in various fields.



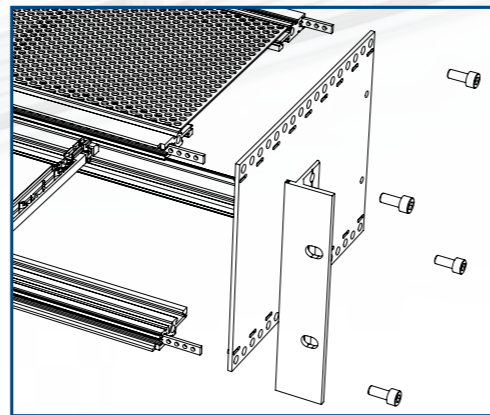


1	Rear profiles	PG. 150
2	Covers	PG. 158
3	Front profiles	PG. 150
4	Threaded strips	PG. 154
5	PCB Board guides and accessories	PG. 164
6	Separating walls	PG. 160
7	Median closing profiles	PG. 152
8	Rear finishing profiles	PG. 156
9	Side panels	PG. 156
10	Front profiles	PG. 150
11	19" Flanges	PG. 157
12	Handles	PG. 162
13	Base plants	PG. 160

3U SUBRACK WITH SIDE PANELS AND FLANGES



U	Inner U	PCB board depth mm	Depth subrack mm	TE	Purchase code
3	3	160	175,5	42	0202-0403-4216
3	3	220	235,5	42	0202-0403-4222
3	3	160	175,5	60	0202-0403-6016
3	3	220	235,5	60	0202-0403-6022
3	3	160	175,5	84	0202-0403-8416
3	3	220	235,5	84	0202-0403-8422

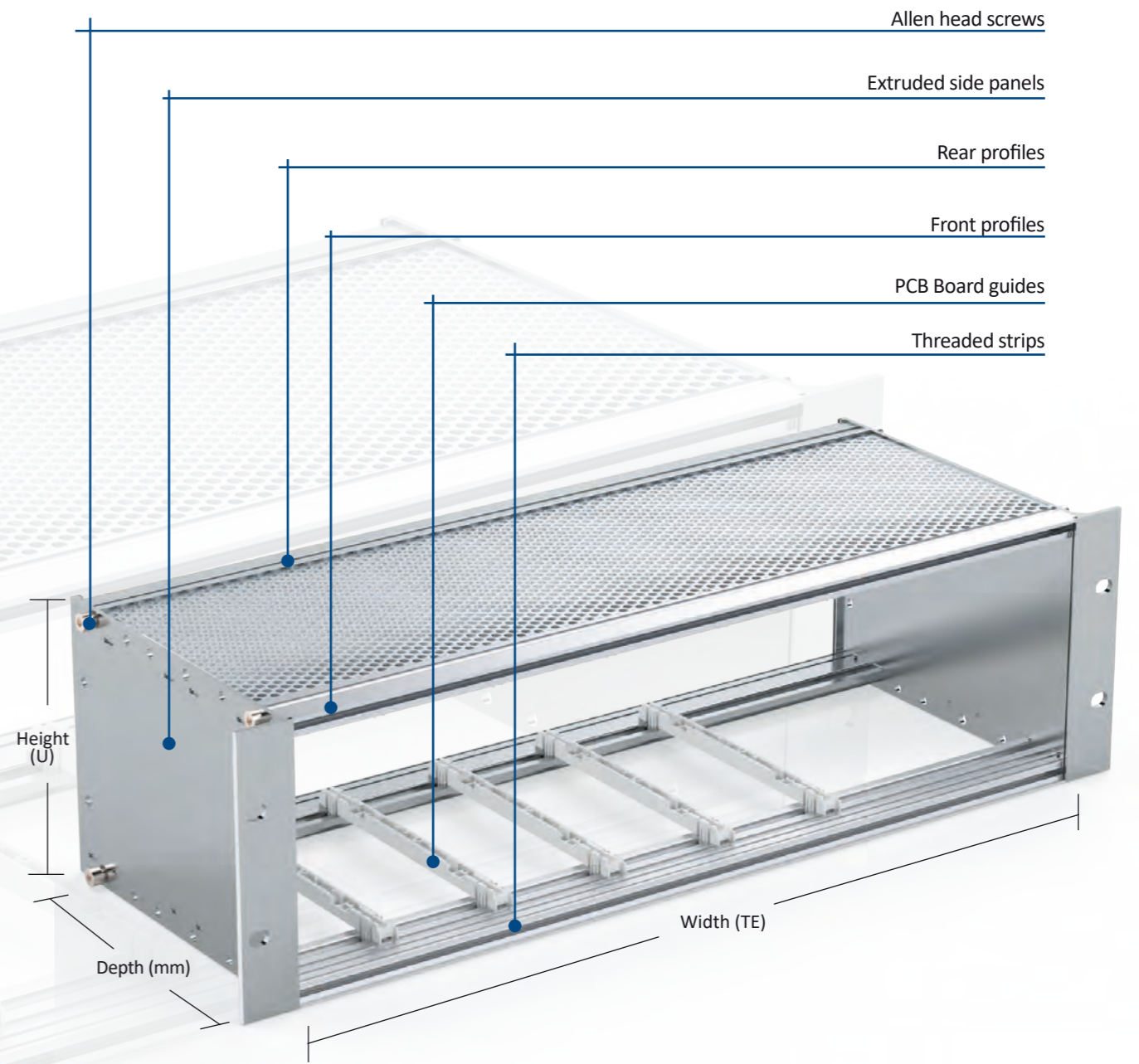


SIDE PANEL DETAIL AND FLANGE

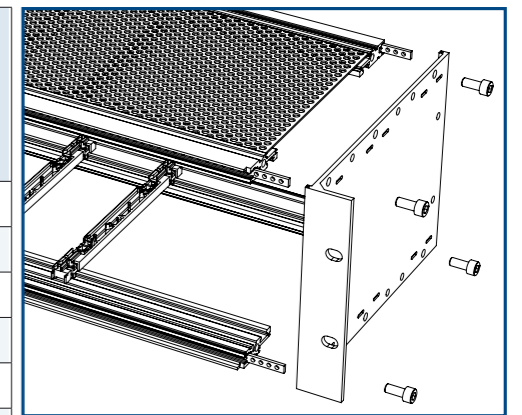
Cover not included Upon request additional depths (every 30mm)

Mounting sizes according to IEC 60297-4-DIN 41494 - IEEE 1101.11 - DIN EN 51155

3U SUBRACK WITH EXTRUDED SIDE PANELS



U	Inner U	PCB board depth mm	Subrack depth mm	TE	Purchase code
3	3	160	175,5	42	0202-0103-4216
3	3	220	235,5	42	0202-0103-4222
3	3	160	175,5	60	0202-0103-6016
3	3	220	235,5	60	0202-0103-6022
3	3	160	175,5	84	0202-0103-8416
3	3	220	235,5	84	0202-0103-8422

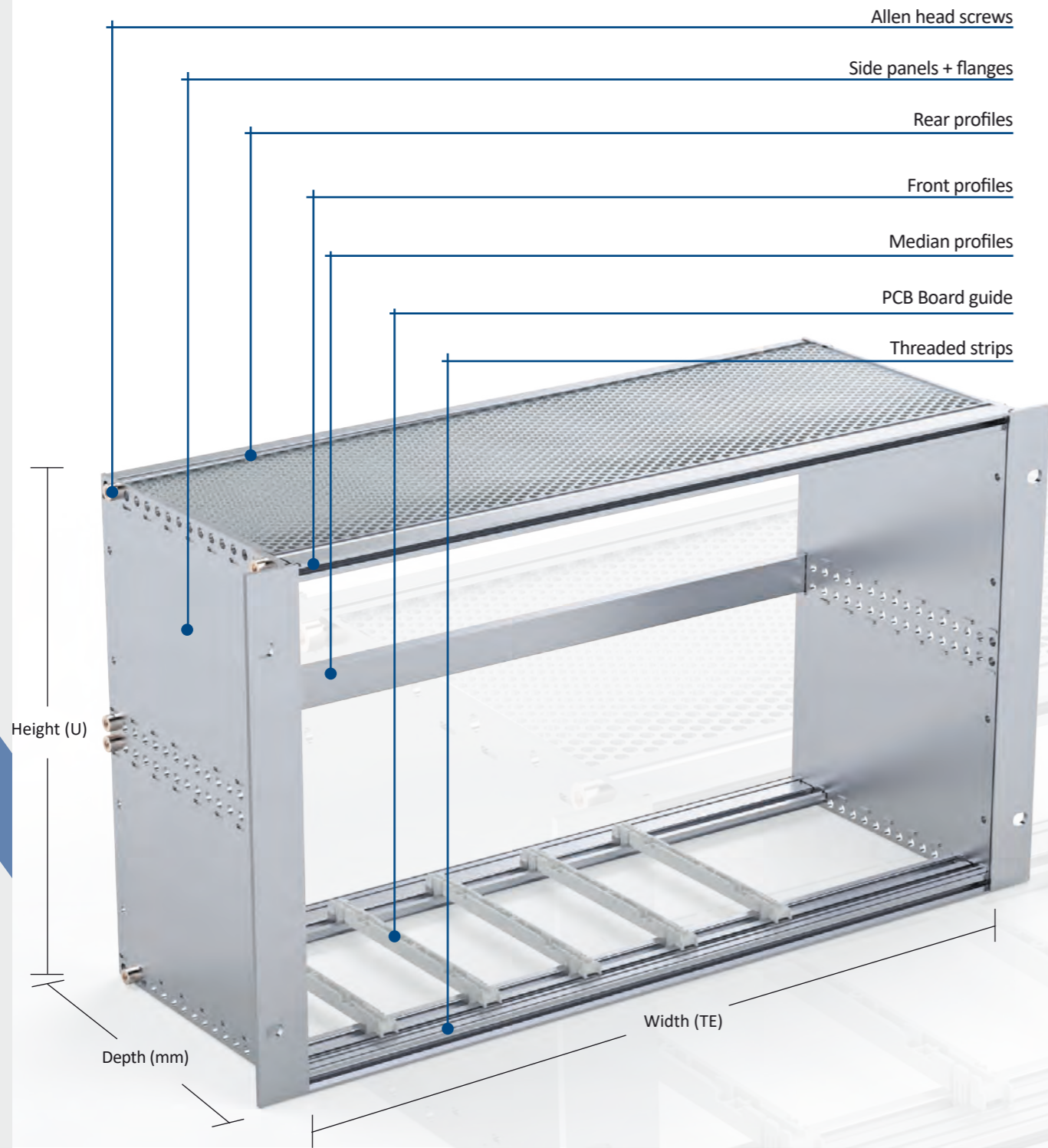


EXTRUDED SIDE PANEL DETAIL

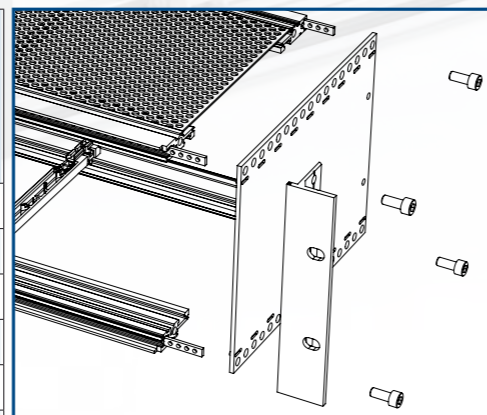
Cover not included

U = Unit Height (1 U = 44,45 mm) TE = Width TE (1 TE = 5,08 mm)

6U SUBRACK WITH SIDE PANELS AND FLANGES



U	Inner U	PCB board depth mm	Subrack depth mm	TE	Purchase code
6	6	160	175,5	42	0202-0406-4216
6	6	220	235,5	42	0202-0406-4222
6	6	160	175,5	60	0202-0406-6016
6	6	220	235,5	60	0202-0406-6022
6	6	160	175,5	84	0202-0406-8416
6	6	220	235,5	84	0202-0406-8422

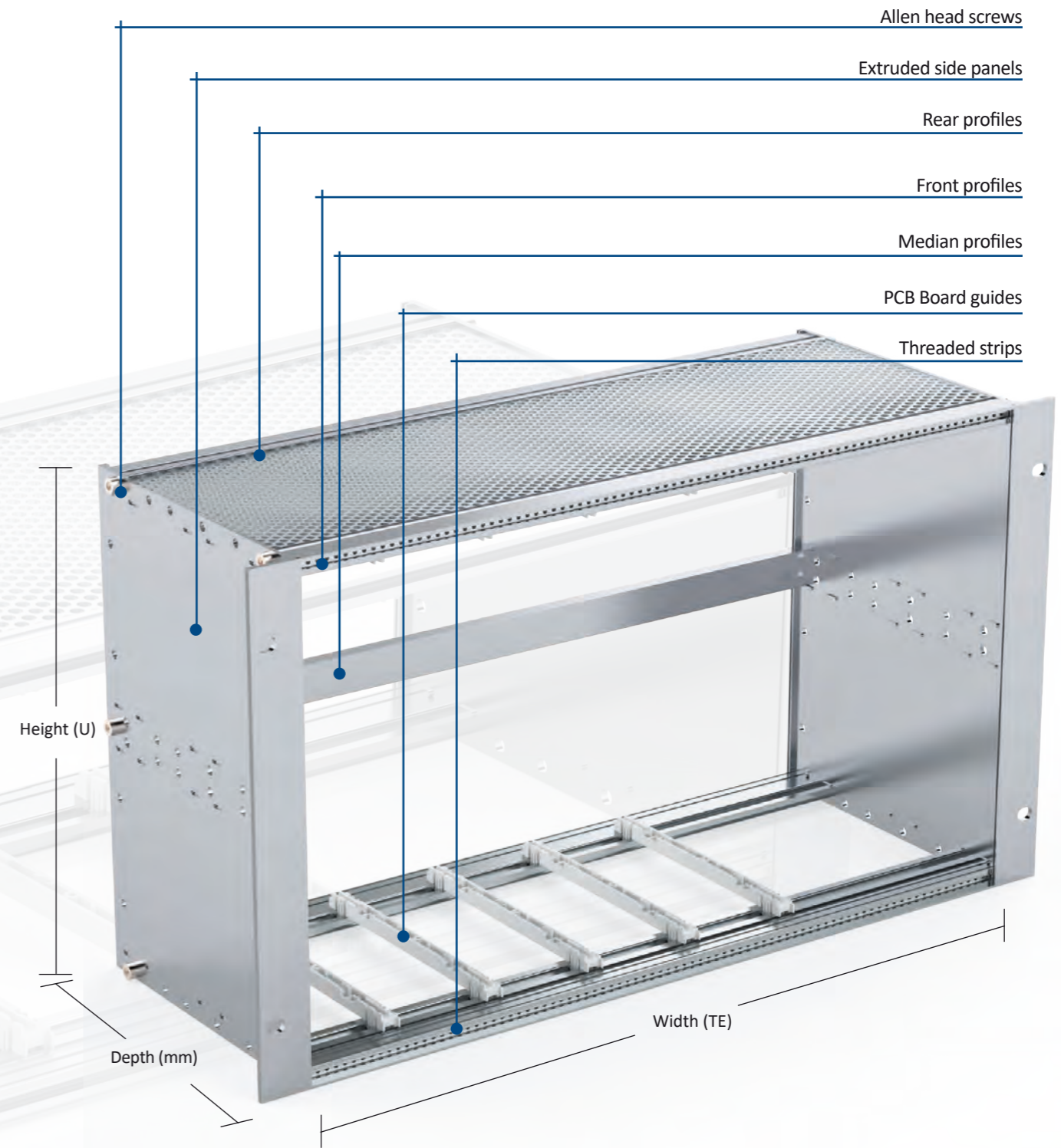


SIDE PANEL DETAIL AND FLANGE

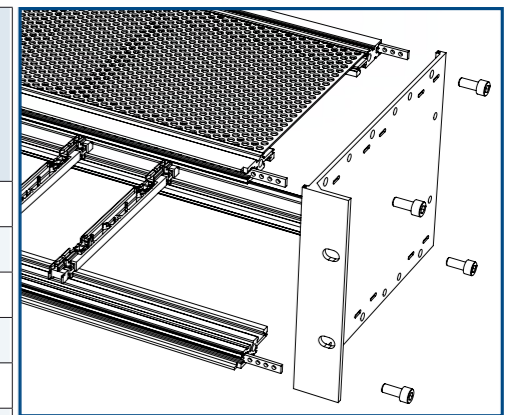
Cover not included
 Upon request additional depths (every 30mm)

Mounting sizes according to IEC 60297-4-DIN 41494 - IEEE 1101.11 - DIN EN 51155

6U SUBRACK WITH EXTRUDED SIDE PANELS



U	Inner U	PCB board depth mm	Subrack depth mm	TE	Purchase code
6	6	160	175,5	42	0202-0106-4216
6	6	220	235,5	42	0202-0106-4222
6	6	160	175,5	60	0202-0106-6016
6	6	220	235,5	60	0202-0106-6022
6	6	160	175,5	84	0202-0106-8416
6	6	220	235,5	84	0202-0106-8422

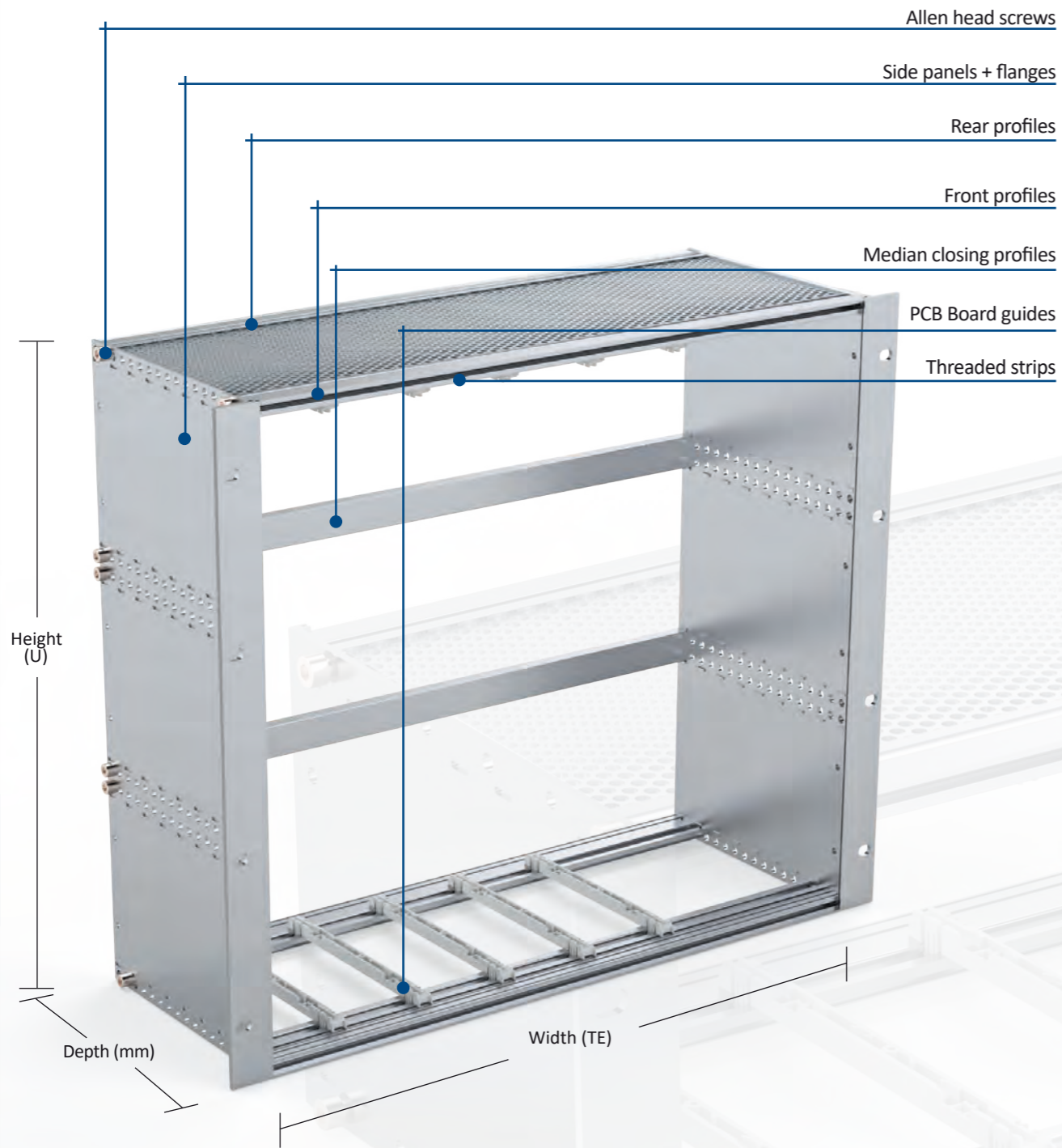


EXTRUDED SIDE PANEL DETAIL

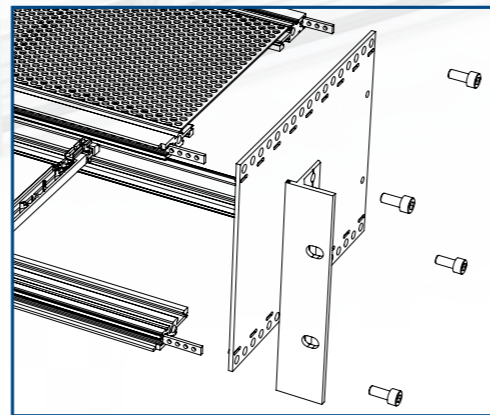
Cover not included

U = Unit Height (1 U = 44,45 mm) TE = Width TE (1 TE = 5,08 mm)

9U SUBRACK WITH SIDE PANELS AND FLANGES



U	Inner U	PCB board depth mm	Depth subrack mm	TE	Purchase code
9	9	160	175,5	42	0202-0409-4216
9	9	220	235,5	42	0202-0409-4222
9	9	160	175,5	60	0202-0409-6016
9	9	220	235,5	60	0202-0409-6022
9	9	160	175,5	84	0202-0409-8416
9	9	220	235,5	84	0202-0409-8422

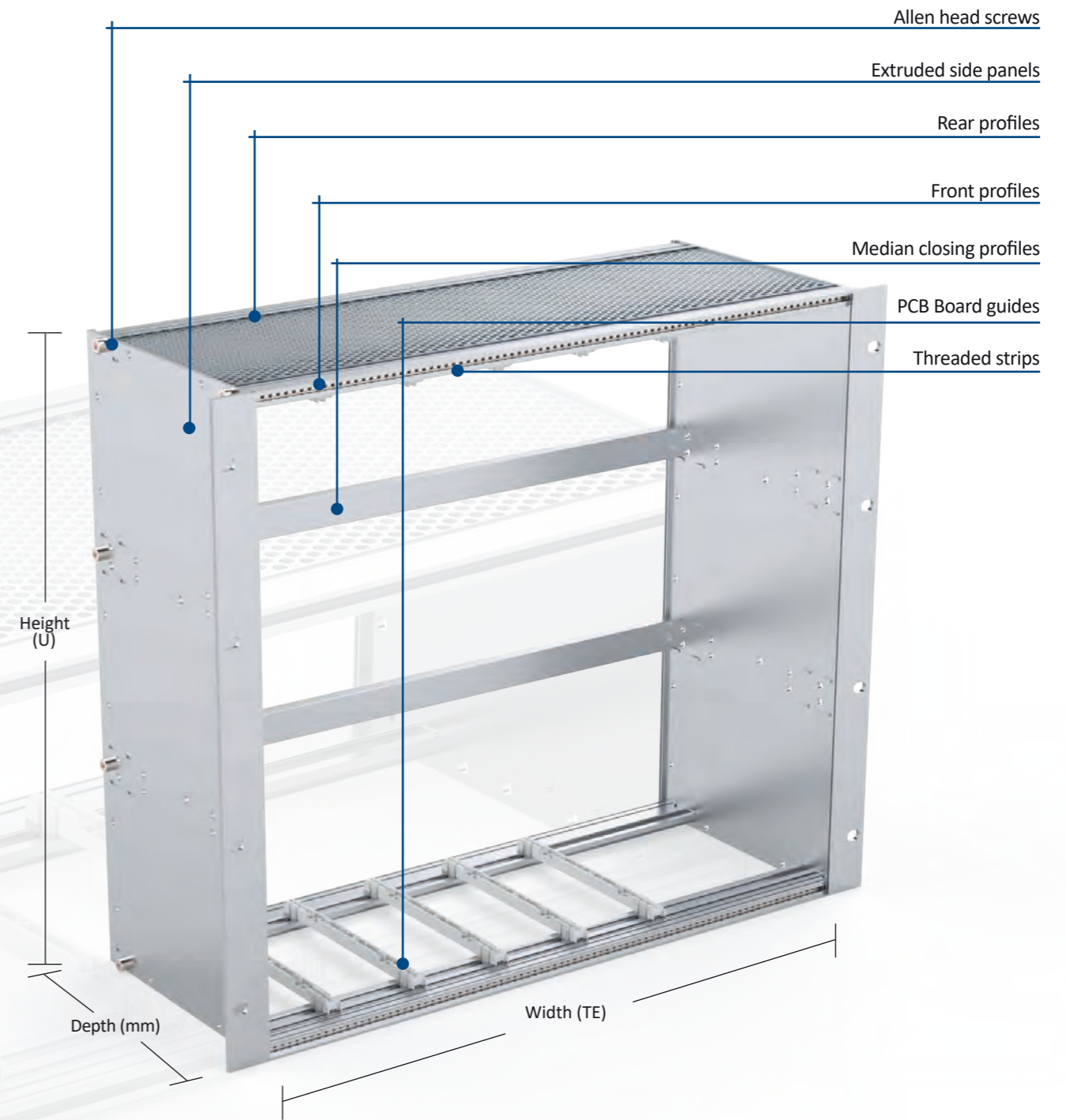


SIDE PANEL DETAIL AND FLANGE

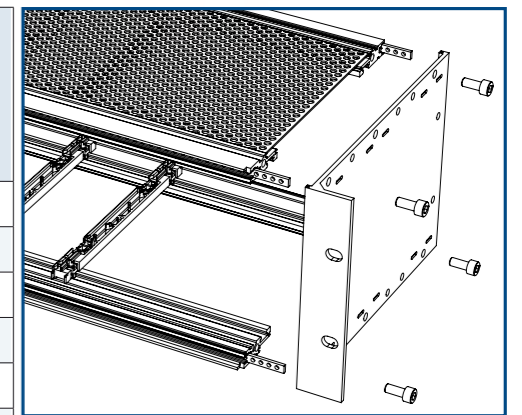
Cover not included Upon request additional depths (every 30mm)

Mounting sizes according to IEC 60297-4-DIN 41494 - IEEE 1101.11 - DIN EN 51155

9U SUBRACK WITH EXTRUDED SIDE PANELS



U	Inner U	PCB board depth mm	Depth subrack mm	TE	Purchase code
9	9	160	175,5	42	0202-0109-4216
9	9	220	235,5	42	0202-0109-4222
9	9	160	175,5	60	0202-0109-6016
9	9	220	235,5	60	0202-0109-6022
9	9	160	175,5	84	0202-0109-8416
9	9	220	235,5	84	0202-0109-8422



EXTRUDED SIDE PANEL DETAIL

Cover not included

U = Unit Height (1 U = 44,45 mm) TE = Width TE (1 TE = 5,08 mm)

Front profiles



Width TE	Purchase code	
	Notched	Not notched
42	0202.0101.42	0202.0103.42
60	0202.0101.60	0202.0103.60
84	0202.0101.84	0202.0103.84

Extruded aluminium EN AW 6060 T6 - Conductive 650 Surtec

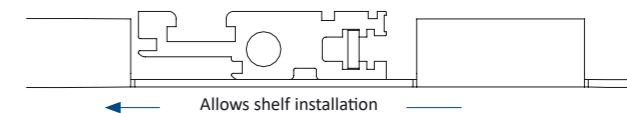
Allen head M 5 screw SEE PG.163

Lower executive shortened profiles



Width TE	Purchase code
42	0202.1801.42
60	0202.1801.60
84	0202.1801.84

Extruded aluminium EN AW 6060 T6 - Conductive 650 Surtec

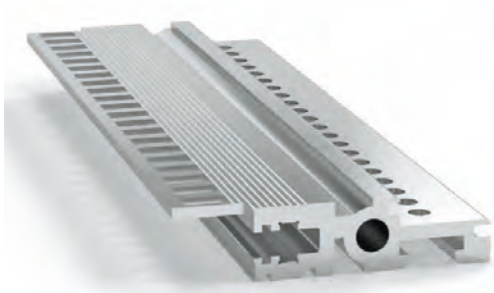


Allen head M 5 screw SEE PG.163

Insulation strips are required for use SEE PG.154

Barre a"Z" SEE PG.155

Front profiles CPCI Executive

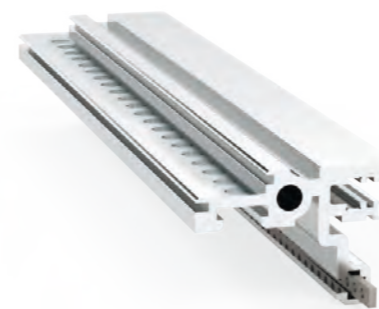


Width TE	Purchase code	
	Notched	Not notched
42	0202.1601.42	0202.1602.42
60	0202.1601.60	0202.1602.60
84	0202.1601.84	0202.1602.84

Extruded aluminium EN AW 6060 T6 - Conductive 650 Surtec

Allen head M 5 screw SEE PG.163

Rear profiles internal connection



Width TE	Purchase code
42	0202.1703.42
60	0202.1703.60
84	0202.1703.84

Extruded aluminium EN AW 6060 T6 - Conductive 650 Surtec

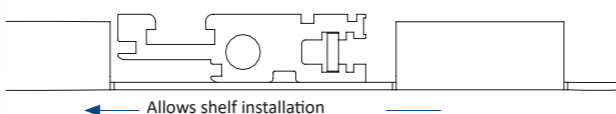
Allen head M 5 screw SEE PG.163

Rear profiles



Width TE	Purchase code
42	0202.0401.42
60	0202.0401.60
84	0202.0401.84

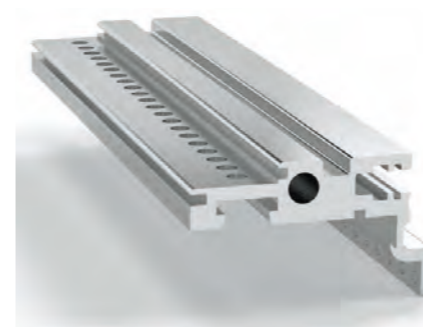
Extruded aluminium EN AW 6060 T6 - Conductive 650 Surtec



If mounted on an extruded side wall, use the one notched

Allen head M 5 screw SEE PG.163

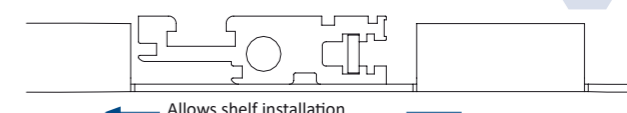
"Z" Executive rear profiles for DIN 41612 connectors



Width TE	Purchase code
42	0202.1701.42
60	0202.1701.60
84	0202.1701.84

Extruded aluminium EN AW 6060 T6 - Conductive 650 Surtec

Allen head M 5 screw SEE PG.163



Shortened rear profiles



Width TE	Purchase code
42	0202.0301.42
60	0202.0301.60
84	0202.0301.84

Extruded aluminium EN AW 6060 T6 - Conductive 650 Surtec

Allen head M 5 screw SEE PG.163

Insulation strips are required for use SEE PG.154

Barre a"Z" SEE PG.155

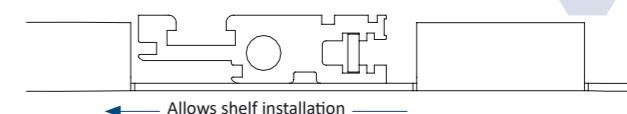
Rear median profiles



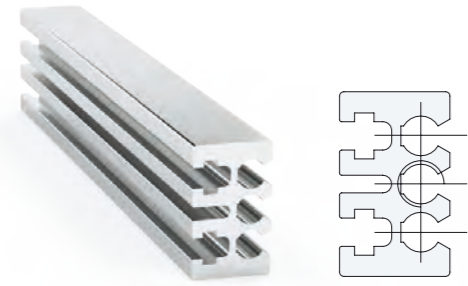
Width TE	Purchase code
42	0202.0601.42
60	0202.0601.60
84	0202.0601.84

Extruded aluminium EN AW 6060 T6 - Conductive 650 Surtec

Allen head M 5 screw SEE PG.163



Median profiles with one threaded hole

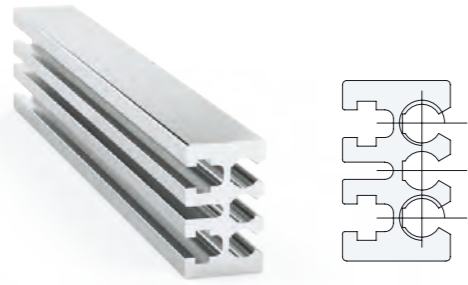


Width TE	Purchase code
42	0202.1501.42
60	0202.1501.60
84	0202.1501.84

Extruded aluminium EN AW 6060 T6 - Conductive 650 Surtec

Allen head M 5 screw SEE PG.163

Median closing profiles with two threaded holes

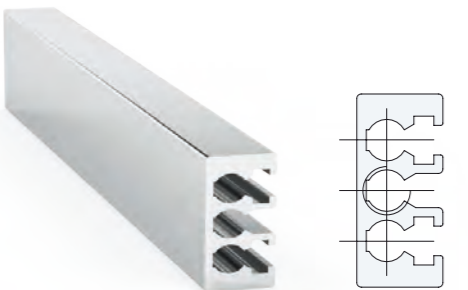


Width TE	Purchase code
42	0202.1502.42
60	0202.1502.60
84	0202.1502.84

Extruded aluminium EN AW 6060 T6 - Conductive 650 Surtec

Allen head M 5 screw SEE PG.163

Shortened median profiles with one threaded hole



Width TE	Purchase code
42	0202.0501.42
60	0202.0501.60
84	0202.0501.84

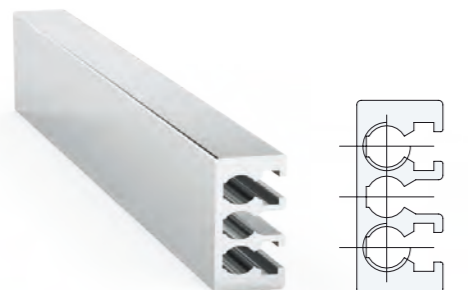
Extruded aluminium EN AW 6060 T6 - Conductive 650 Surtec

Allen head M 5 screw SEE PG.163

Insulation strips are required for use SEE PG.154

Barre a "Z" SEE PG.155

Shortened median profiles with two threaded holes



Width TE	Purchase code
42	0202.0502.42
60	0202.0502.60
84	0202.0502.84

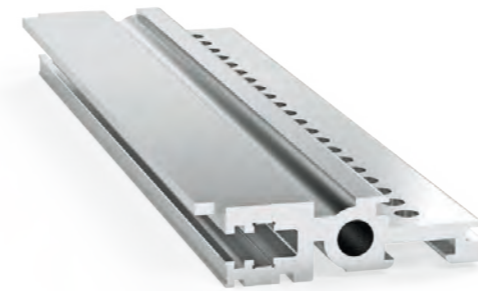
Extruded aluminium EN AW 6060 T6 - Conductive 650 Surtec

Allen head M 5 screw SEE PG.163

Insulation strips are required for use SEE PG.154

Barre a "Z" SEE PG.155

Executive front profiles for H 111.7 PCB board



Width TE	Purchase code
42	0202.0104.42
60	0202.0104.60
84	0202.0104.84

Extruded aluminium EN AW 6060 T6 - Conductive 650 Surtec

Allen head M 5 screw SEE PG.163

This profile is used with the lowered PCB board guide (page 165) for 111.7mm height PCB boards

Use with lowered PCB Board guides SEE PG.165



Executive rear profiles for H 111.7 PCB board



Width TE	Purchase code
42	0202.0302.42
60	0202.0302.60
84	0202.0302.84

Extruded aluminium EN AW 6060 T6 - Conductive 650 Surtec

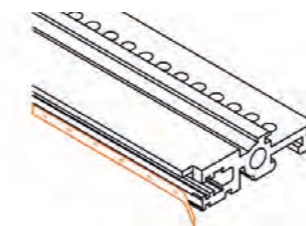
Allen head M 5 screw SEE PG.163

This profile is used with the lowered PCB board guide (page 165) for 111.7mm height PCB boards

Use with lowered PCB Board guides SEE PG.165



Numbered strip



Length	Purchase code
from 01 to 42	0505.5901.0142
from 01 to 84	0505.5901.0184
from 42 to 01	0505.5901.4201
from 84 to 01	0505.5901.8401

Threaded strips M2,5 (stainless steel)



Width TE	Purchase code
42	0505.0105.42
60	0505.0105.60
84	0505.0105.84

Stainless steel M2,5 5 x 1,5



M2.5 Headless Screw SEE PG.155

Brass M3 threaded strips



Width TE	Purchase code
42	0505.0106.4203
60	0505.0106.6003
84	0505.0106.8403

M3 5 x 2 mm Brass

M2.5 Headless Screw SEE PG.155

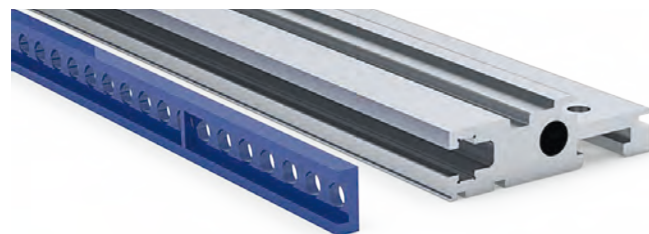
Screw guide strips



Width TE	Purchase code
42	0505.0104.42
60	0505.0104.60
84	0505.0104.84

Aluminium 5x1mm ϕ 2,5

Non conducting strips

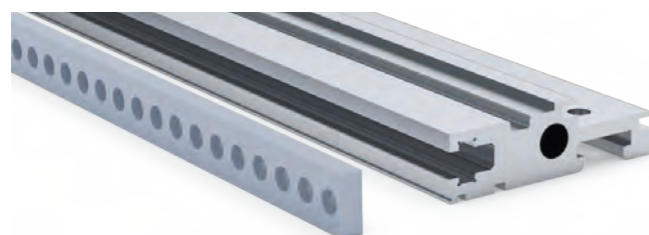


Width TE	Purchase code
42	0505.0103.42
60	0505.0103.60
84	0505.0103.84

PC V-0 8 x 3 mm

Use with shortened profiles SEE PG.150 PG.151 PG.152

Spacer strips



Width TE	Purchase code
42	0505.0102.42
60	0505.0102.60
84	0505.0102.84

Aluminium 8 x 3 mm

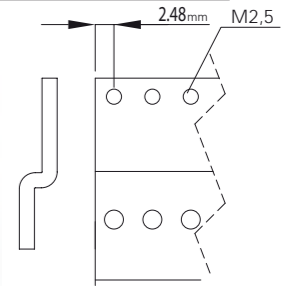
Use with shortened profiles SEE PG.150 PG.151 PG.152

"Z" bars type "A"



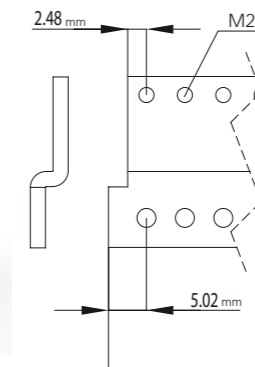
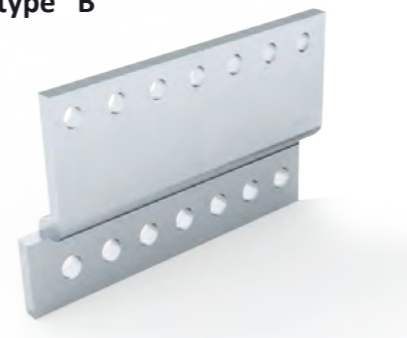
Width TE	Purchase code
42	0505.0901.42
60	0505.0901.60
84	0505.0901.84

Aluminium 20/10 Surtec 650



Use with shortened profiles SEE PG.150 PG.151 PG.152

"Z" bars type "B"

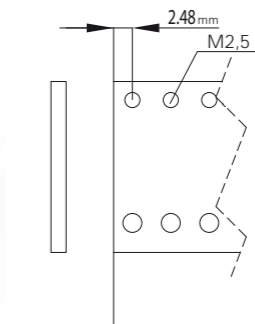
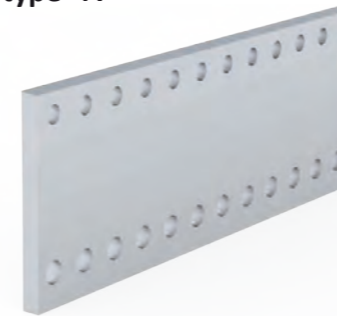


Width TE	Purchase code
42	0505.0902.42
60	0505.0902.60
84	0505.0902.84

Aluminium 20/10 Surtec 650

Use with shortened profiles SEE PG.150 PG.151 PG.152

Flat bars type "A"

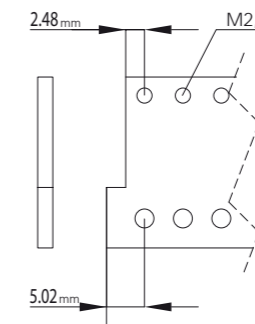
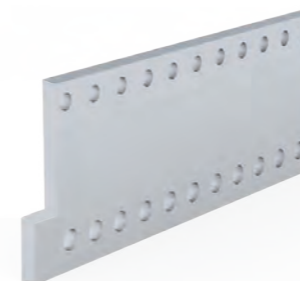


Width TE	Purchase code
42	0505.0905.42
60	0505.0905.60
84	0505.0905.84

Aluminium 20/10 Surtec 650

Use with others profiles SEE PG.150 PG.151 PG.152

Flat bars type "B"



Width TE	Purchase code
42	0505.0906.42
60	0505.0906.60
84	0505.0906.84

Aluminium 20/10 Surtec 650

Use with others profiles SEE PG.150 PG.151 PG.152

Headless screw



Size	Purchase code
M 2,5	1000.2102.2508
M 3	1000.2102.0308

Hex wrench for headless screws SEE PG.163

160 Extruded side panels

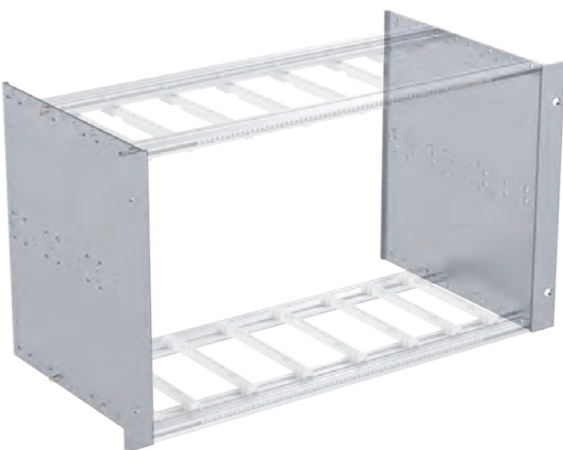


U	Type	Purchase code
3	Standard	0202.0701.0316
6	Standard	0202.0701.0616
9	Standard	0202.0701.0916
3	Standard with handle holes	0202.0702.0316
6	Standard with handle holes	0202.0702.0616
9	Standard with handle holes	0202.0702.0916
3	No hedge profile	0202.0703.0316
6	No hedge profile	0202.0703.0616
9	No hedge profile	0202.0703.0916
3	With handle holes and no hedge profile	0202.0704.0316
6	With handle holes and no hedge profile	0202.0704.0616
9	With handle holes and no hedge profile	0202.0704.0916

Extruded aluminium EN AW 6060 T6 - Conductive 650 Surtec

With ground pin upon request

220 Extruded side panels



U	Type	Purchase code
3	Standard	0202.0711.0322
6	Standard	0202.0711.0622
9	Standard	0202.0711.0922
3	Standard with handle holes	0202.0712.0322
6	Standard with handle holes	0202.0712.0622
9	Standard with handle holes	0202.0712.0922
3	No hedge profile	0202.0713.0322
6	No hedge profile	0202.0713.0622
9	No hedge profile	0202.0713.0922
3	With handle holes and no hedge profile	0202.0714.0322
6	With handle holes and no hedge profile	0202.0714.0622
9	With handle holes and no hedge profile	0202.0714.0922

Extruded aluminium EN AW 6060 T6 - Conductive 650 Surtec

With ground pin upon request

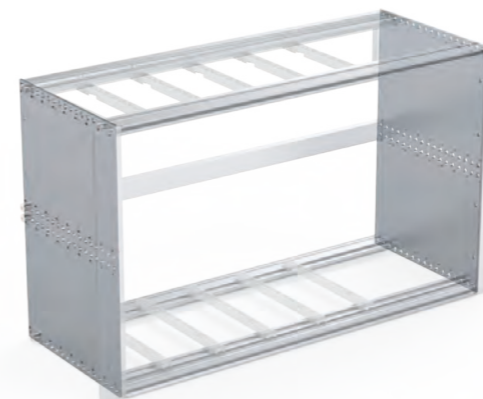
Rear finishing profiles



U	Purchase code
3	0202.1001.03
6	0202.1001.06
9	0202.1001.09

Extruded aluminium EN AW 6060 T6 - Conductive 650 Surtec

Side panels



PCB board depth mm	U	Purchase code
160	1	0202.0801.0116
160	2	0202.0801.0216
160	3	0202.0801.0316
160	4	0202.0801.0416
160	5	0202.0801.0516
160	6	0202.0801.0616
160	9	0202.0801.0916
220	1	0202.0801.0122
220	2	0202.0801.0222
220	3	0202.0801.0322
220	4	0202.0801.0422
220	5	0202.0801.0522
220	6	0202.0801.0622
220	9	0202.0801.0922

Aluminium25/10 - Conductive 650 Surtec

Upon request additional depths (every 30mm)

Flanges



U	Purchase code	Purchase code with handle holes
1	0202.0901.01	0202.0902.01
2	0202.0901.02	0202.0902.02
3	0202.0901.03	0202.0902.03
4	0202.0901.04	0202.0902.04
5	0202.0901.05	0202.0902.05
6	0202.0901.06	0202.0902.06
9	0202.0901.09	0202.0902.09

Extruded aluminium EN AW 6060 T6 - Conductive 650 Surtec

With ground pin upon request

Handles provided separately

SEE PG.162

Flanges for backward mount



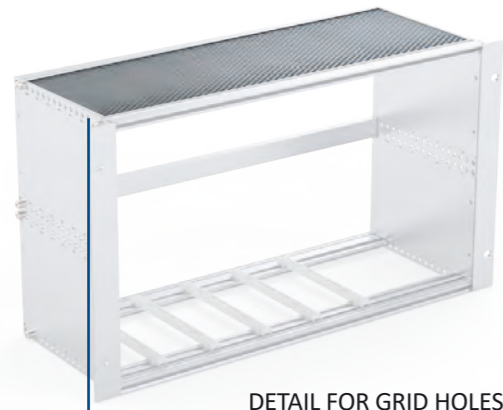
U	Purchase code	Purchase code with handle holes
1	0202.0906.01	0202.0907.01
2	0202.0906.02	0202.0907.02
3	0202.0906.03	0202.0907.03
4	0202.0906.04	0202.0907.04
5	0202.0906.05	0202.0907.05
6	0202.0906.06	0202.0907.06
7	0202.0906.07	0202.0907.07
8	0202.0906.08	0202.0907.08
9	0202.0906.09	0202.0907.09

Extruded aluminium - Conductive 650 Surtec

Handles provided separately

SEE PG.162

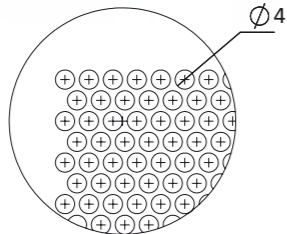
External not removable ventilated covers



PCB board depth mm	TE	Purchase code
160	42	0202.1101.1642
160	60	0202.1101.1660
160	84	0202.1101.1684
220	42	0202.1101.2242
220	60	0202.1101.2260
220	84	0202.1101.2284

Aluminium10/10 pre-drilled holes \varnothing 4mm - Conductive 650 Surtec
 Upon request additional depths from 250 mm to 450 mm

DETAIL FOR GRID HOLES \varnothing 4mm



External not removable blank covers



PCB board depth mm	TE	Purchase code
160	42	0202.1103.1642
160	60	0202.1103.1660
160	84	0202.1103.1684
220	42	0202.1103.2242
220	60	0202.1103.2260
220	84	0202.1103.2284

Aluminium10/10 - Conductive 650 Surtec
 Upon request additional depths from 250 mm to 450 mm

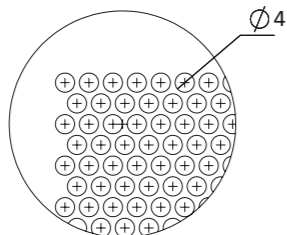
Internal not removable ventilated covers



PCB board depth mm	TE	Purchase code
160	42	0202.1104.1642
160	60	0202.1104.1660
160	84	0202.1104.1684
220	42	0202.1104.2242
220	60	0202.1104.2260
220	84	0202.1104.2284

Aluminium10/10 pre-drilled holes \varnothing 4mm - Conductive 650 Surtec
 Upon request additional depths from 250 mm to 450 mm

DETAIL FOR GRID HOLES \varnothing 4mm



Internal not removable blank covers



PCB board depth mm	TE	Purchase code
160	42	0202.1106.1642
160	60	0202.1106.1660
160	84	0202.1106.1684
220	42	0202.1106.2242
220	60	0202.1106.2260
220	84	0202.1106.2284

Aluminium10/10 - Conductive 650 Surtec

Upon request additional depths from 250 mm to 450 mm

Ventilated removable covers

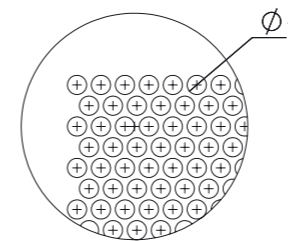


PCB board depth mm	TE	Purchase code \varnothing 4mm holes	Purchase code \varnothing 8mm holes	Purchase code honeycomb holes
160	42	0202.1107.1642	0202.1108.1642	0202.1110.1642
160	60	0202.1107.1660	0202.1108.1660	0202.1110.1660
160	84	0202.1107.1684	0202.1108.1684	0202.1110.1684
220	42	0202.1107.2242	0202.1108.2242	0202.1110.2242
220	60	0202.1107.2260	0202.1108.2260	0202.1110.2260
220	84	0202.1107.2284	0202.1108.2284	0202.1110.2284

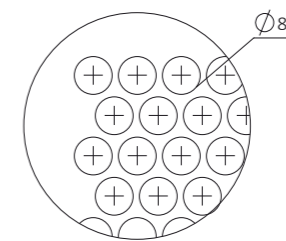
Aluminium10/10 - Conductive 650 Surtec

Upon request additional depths from 250 mm to 450 mm

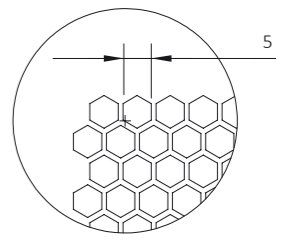
DETAIL FOR GRID HOLES \varnothing 4mm



DETAIL FOR GRID HOLES \varnothing 8mm



DETAIL FOR GRID HONEYCOMB HOLES



Removable blank covers



PCB board depth mm	TE	Purchase code
160	42	0202.1109.1642
160	60	0202.1109.1660
160	84	0202.1109.1684
220	42	0202.1109.2242
220	60	0202.1109.2260
220	84	0202.1109.2284

Aluminium10/10 - Conductive 650 Surtec

Upon request additional depths from 250 mm to 450 mm

Slot mounted separating walls



PCB board depth mm	U	Purchase code
160	6	0202.1403.0616
160	9	0202.1403.0916
220	6	0202.1403.0622
220	9	0202.1403.0922

Mangelis 10/10

Ventilated base plants



PCB board depth mm	TE	Purchase code
160	42	0202.1302.1642
160	60	0202.1302.1660
160	84	0202.1302.1684
220	42	0202.1302.2242
220	60	0202.1302.2260
220	84	0202.1302.2284

Aluminium15/10 - Conductive 650 Surtec

Upon request additional depths from 250 mm to 450 mm

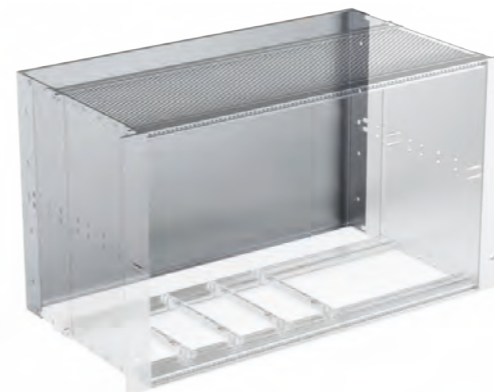
Screw mounted separating walls



PCB board depth mm	U	Purchase code
160	6	0202.1404.0616
160	9	0202.1404.0916
220	6	0202.1404.0622
220	9	0202.1404.0922

Mangelis 10/10

Back protector hoods



Width TE	U	Purchase code
42	3	0202.1201.0342
60	3	0202.1201.0360
84	3	0202.1201.0384
42	6	0202.1201.0642
60	6	0202.1201.0660
84	6	0202.1201.0684
42	9	0202.1201.0942
60	9	0202.1201.0960
84	9	0202.1201.0984

Aluminium10/10 - Conductive 650 Surtec

Blank base plants

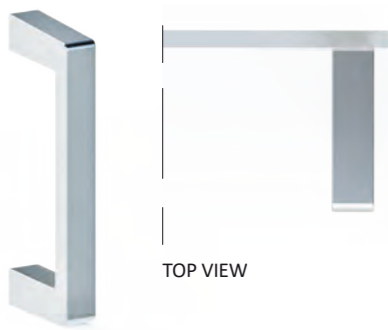


PCB board depth mm	TE	Purchase code
160	42	0202.1301.1642
160	60	0202.1301.1660
160	84	0202.1301.1684
220	42	0202.1301.2242
220	60	0202.1301.2260
220	84	0202.1301.2284

Aluminium15/10 - Conductive 650 Surtec

Upon request additional depths from 250 mm to 450 mm

Extruded handles



U	Hole type	Handle thickness mm	Wheelbase mm	Purchase code
2	M4	12	45	0505.0701.0212
3-5	M4	12	88	0505.0701.0312
4-6-9	M4	12	133.4	0505.0701.0412

Extruded aluminium EN AW 6060 T6 - Anodized

- Use with flanges SEE PG.157
- The code refers to the single handle
- Upon request M5

Extruded handles inclined 10°



U	Hole type	Handle thickness mm	Wheelbase mm	Purchase code
3-5	M4	12	88	0505.0703.0312
4-6-9	M4	12	133.4	0505.0703.0412

Extruded aluminium EN AW 6060 T6 - Anodized

- Use with flanges SEE PG.157
- The code refers to the single handle
- Upon request M5

Round handles



U	Hole type	Ø Handle mm	Wheelbase mm	Purchase code
3-5	M4	8	88	0505.0704.0308
4-6-9	M4	8	133.4	0505.0704.0408

Extruded aluminium EN AW 6060 T6 - Anodized

- Use with flanges SEE PG.157
- The code refers to the single handle

Round handles (Stainless steel)



U	Hole type	Ø Handle mm	Wheelbase mm	Purchase code
3-5	M4	8	88	0505.0711.0308
4-6-9	M4	8	133.4	0505.0711.0408

Stainless steel

- Use with flanges SEE PG.157
- The code refers to the single handle

Executive Sub rack Allen head screw



Type	Purchase code
M5x13	1000.0101.0512

Galvanized steel

Subrack bracket kit



Purchase code
0505-7801

Magnelis® 15/10

Hex wrench for headless screws



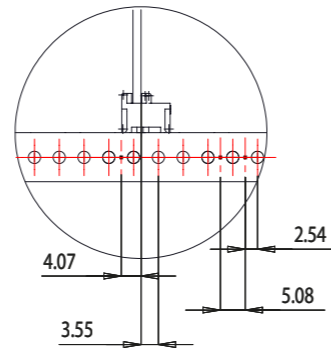
Type	Purchase code
M2,5	1000.2100.25
M3	1000.2100.03

- For headless screw SEE PG.155

The PCB card guides are used to install the printed circuit boards on the frame and its subassemblies and are fixed through holes to the frame's profiles.

The slot width varies from 2 to 2.5 mm. Conductive and non-conductive vibration dampers as well as expansion fastening pins are available as options.

The PCB card guides are available in different configurations: offset, reinforced and IEEE. Their length may vary from 160 to 220 mm.



Front View: Guides Positioning

Offset PCB Board guide



PCB board depth mm	PCB Board slot mm	Purchase code
220	2	0505.0210.22
220	2,5	0505.0211.22

Polycarbonate PC UL 94 V-0 - Colour Green - Temperature -40°C to +115°C

Lowered PCB board guides



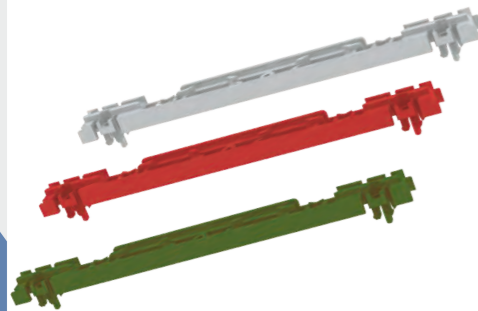
PCB board depth mm	PCB Board slot mm	Purchase code
220	2	0505.0209.22

Polycarbonate PC UL 94 V-0

Use with lower profiles

SEE PG.153

PCB Board guide



PCB board depth mm	PCB Board slot mm	Purchase code grey	Purchase code red	Purchase code green
160	2	0505.0201.16	0505.0201.1602	0505.0201.1603
220	2	0505.0201.22	0505.0201.2202	-
160	2,5	0505.0206.16	0505.0206.1602	-
220	2,5	0505.0206.22	0505.0206.2202	-

Polycarbonate PC UL 94 V-0 Temperature -40 ° C to + 115 ° C

Aluminium PCB board guides



PCB board depth mm	PCB Board slot mm	Purchase code
100	2,5	0505.0204.10
120	2,5	0505.0204.12
140	2,5	0505.0204.14
160	2,5	0505.0204.16
180	2,5	0505.0204.18
200	2,5	0505.0204.20
220	2,5	0505.0204.22
240	2,5	0505.0204.24
260	2,5	0505.0204.26
280	2,5	0505.0204.28

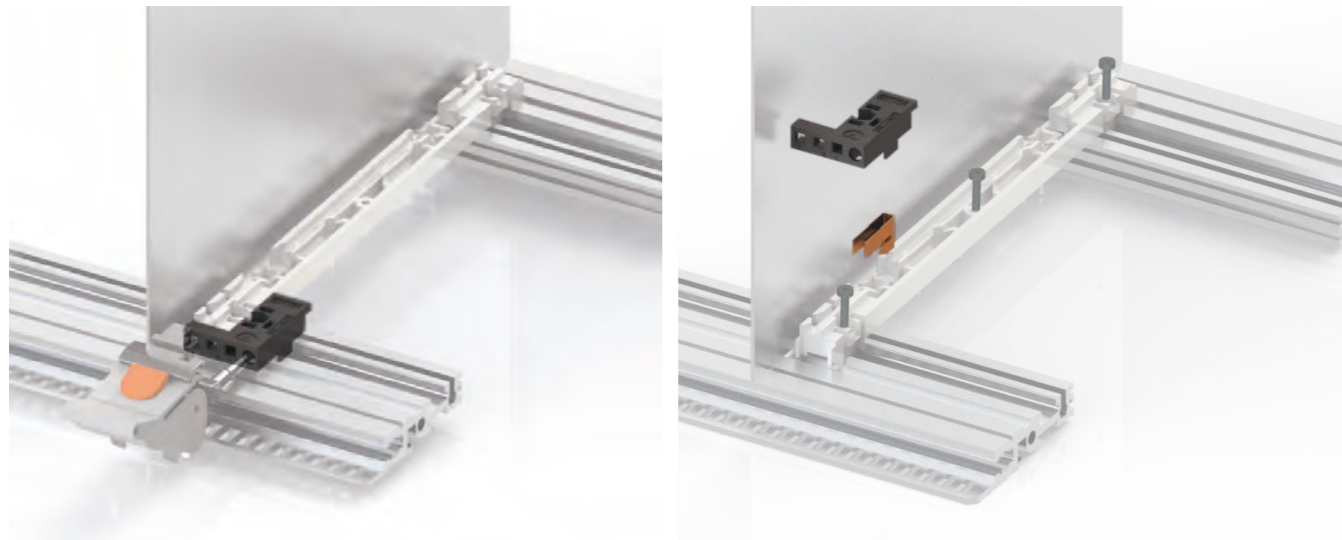
Extruded aluminium EN AW 6060 T6 - Painted RAL 9005

Reinforced PCB Board guides



PCB board depth mm	PCB Board slot mm	Purchase code grey	Purchase code red
220	2	0505.0203.22	0505.0203.2202
220	2,5	0505.0208.22	0505.0208.2202

Polycarbonate PC UL 94 V-0 Temperature -40 ° C to + 115 ° C



Encoding kit



Colour	Purchase code
black	0505-4118-01
red	0505-4118-0102
green	0505-4118-0103

Polycarbonate PC UL 94 V-0 Temperature -40 ° C to + 115 ° C

IEEE Contact spring

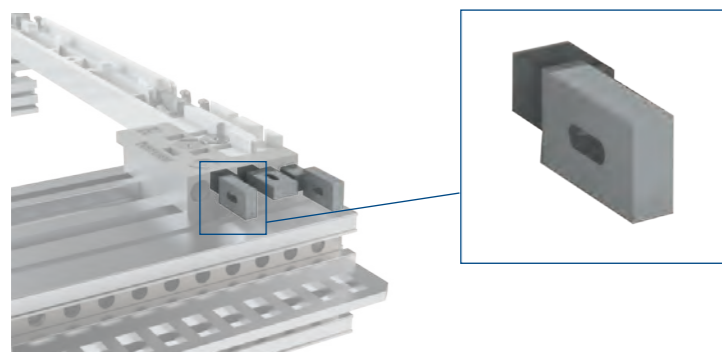


Purchase code
0505.3904

Bronze

Contact spring for encoding kit

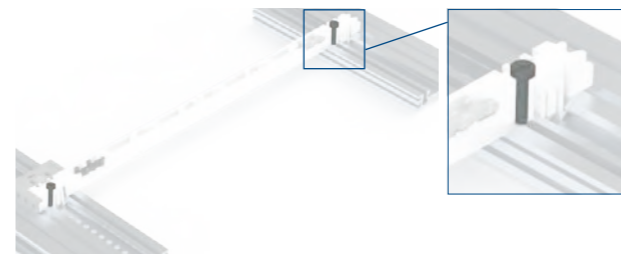
Encoding pin



Purchase code
0505.1201.02

Polycarbonate PC UL 94 V 0
Temperature -40°C to +115°C

PB Board fixing pins



Purchase code
0505.8001

Plastic PBT UL 94 V 0 - Colour black - Temperature -40°C to +115°C

The pin is used as an alternative to the fixing screw

PATENT NUMBER: BR16623

PB Board fixing screws - M2,5 x12



head type	Material	Purchase code
Torx	Steel 8.8	1000.0112.2512
Phillips	Steel 8.8	1000.0104.2512
Phillips	Stainless steel	1000.1104.2512

Steel 8.8 - Stainless steel

Antivibration



Colour	Conductive	PCB Board thickness mm	Material	Purchase code
Grey	Non-conductive	2	PC	0505.6401.16
Black	Non-conductive	2,5	PC	0505.6401.20
Black	Conductive	2	Denistat Y 30C 02 Resistance 5 Ohm	0505.6402.16
Black	Conductive	2,5	Denistat Y 30C 02 Resistance 5 Ohm	0505.6402.20

The code includes front and rear anti-vibrations

PCB Board contact spring



Purchase code
0505.6403

Nickel-plated bronze

Grey PCB Board fixing



Purchase code
0505.3901.01

Plastic PBT UL 94 V 0

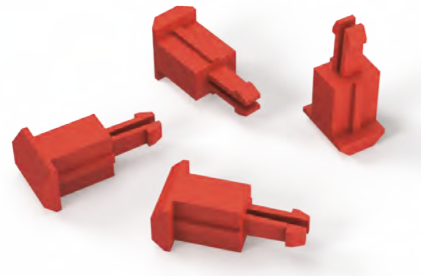
Extractor



Purchase code
0505.4001.03

Nylon PA66 + 30 % FV

Encoding pin



Purchase code
0505.1201

Nylon PA66 + 30 % FV

▶▶▶ The code refers to the single pin

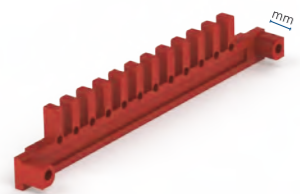
Encoding mask



Purchase code
0505.1203

Nylon PA66 + 30 % FV

Encoding combs



Measure mm	Purchase code
6	0505.1202.03
4,2	0505.1202.04
3,46	0505.1202.06

Nylon PA66 + 30 % FV

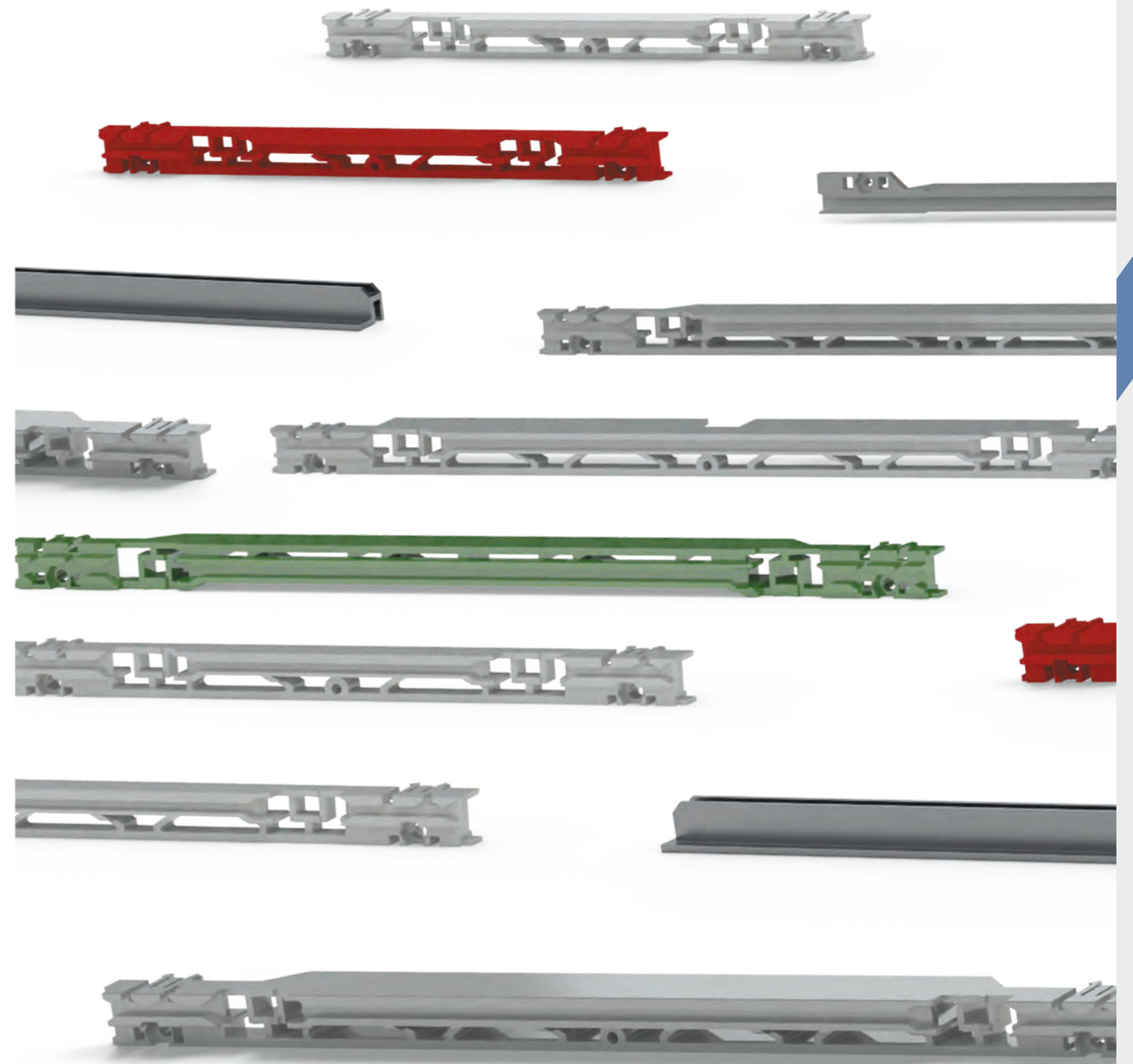
PCB Board lead-in



Purchase code
0505.3903

Polycarbonate PC UL 94 V 0
Colour grey
Temperature -40°C to +115°C

▶▶▶ The code includes top and bottom PCB Board lead-in



COLOURS

The choice of colors in some of the accessories will increase the recognition and customization of the product making it unique.

MECHANICAL CUSTOMIZATION:

Thanks to modern machining technology, it is possible to customize every single piece, thus allowing the elimination of additional working and reducing delivery time.

SERIES CUSTOMIZATION:

In case of high volumes, the customization procedures will be optimized, reducing costs and timing by transforming the custom product into a standard one.

SERIGRAPHY:

In addition to the possibility of different colors of the outside structure, all internal components, such as the front panels, can be customized with serigraphic printing that allows to utilize a wide range of bright colours, texts, images or logos.

FINISHING:

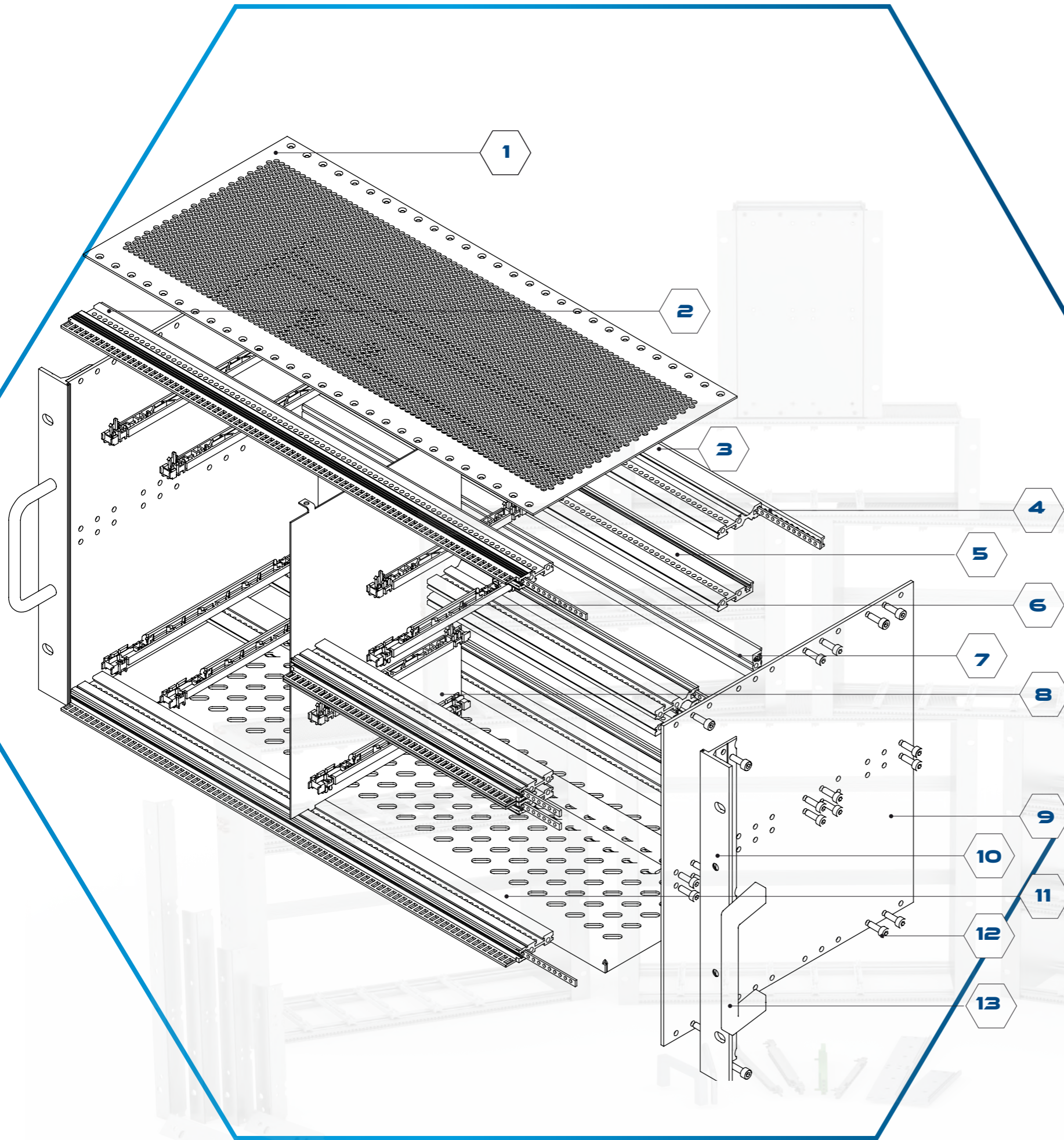
The most widely used material is aluminium, for which we have several surface treatments such as:
SURTEC 650: a liquid process that provides the substrate with high corrosion protection: 336 h in simple saline mist and 150 h in acetic saline mist.
ANODIZATION: a non-spontaneous electrochemical process by which a protective layer is formed on the surface of the treated metal and protects it from corrosion.





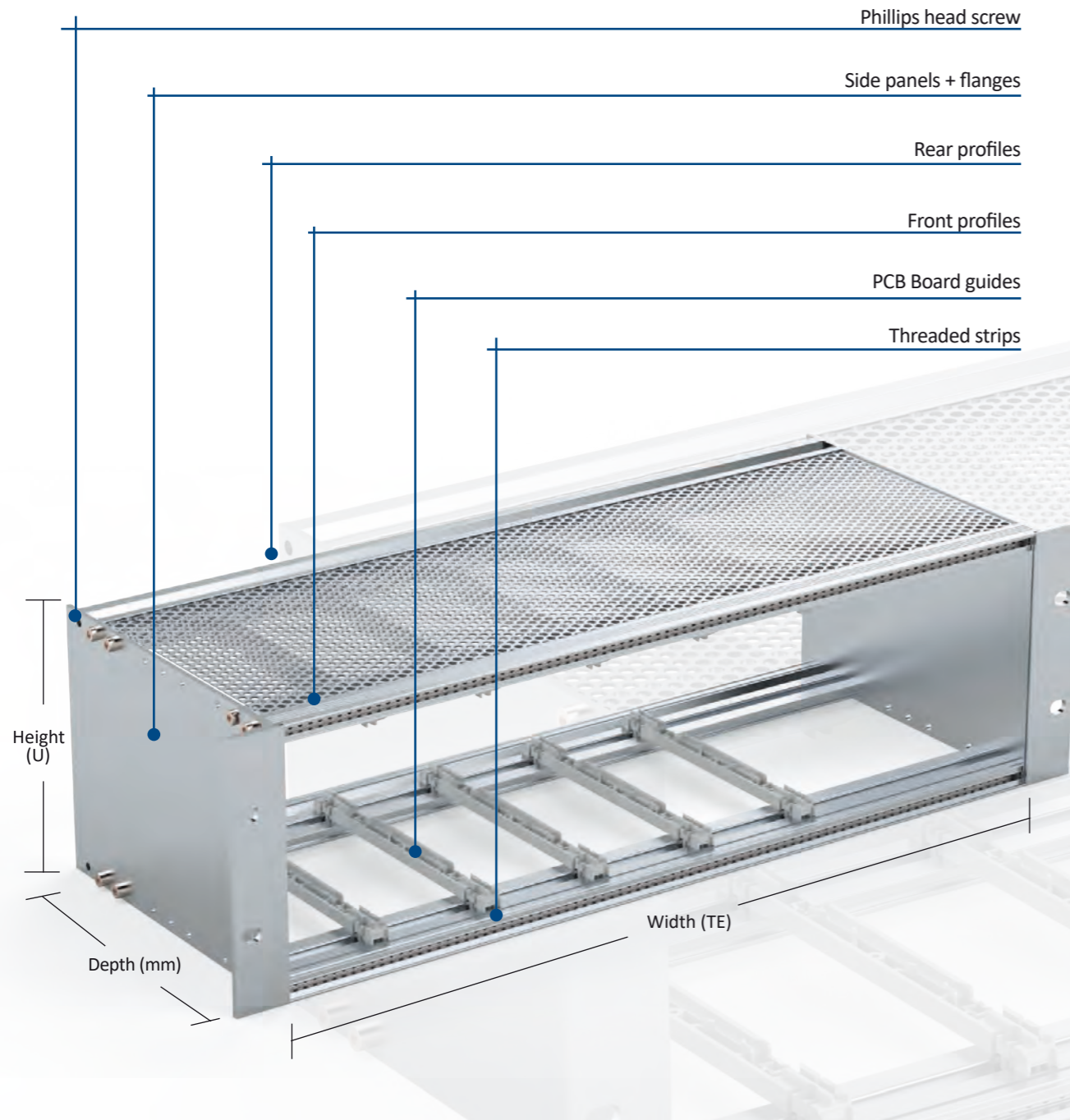
Subracks for Eurocard 3U x 160/220, 6U x 160/220 cards and various sizes, built according to IEC 60297 - DIN 41494 specifications. They are composed of side panels and double-hole aluminium profiles, with Surtec 650 treated surface. Strength - modularity - EMC compatibility – availability of a wide range of accessories. They are mainly used in the railways and defence sectors and in all heavy duty or high shock and vibration applications.



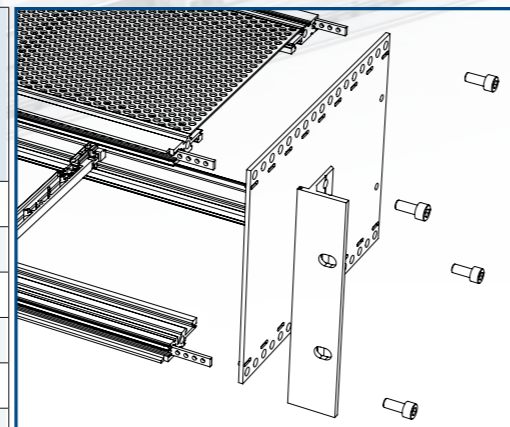


1	Covers	PG. 186
2	Front profiles	PG. 180
3	Rear profiles	PG. 180
4	Threaded strips	PG. 182
5	Median closing profiles	PG. 181
6	PCB Board guides and accessories	PG. 190
7	Median closing profiles	PG. 181
8	Separating walls	PG. 188
9	Side panels	PG. 184
10	Flanges	PG. 185
11	Base plants	PG. 188
12	Screws	PG. 189
13	Handles	PG. 189

3U SUBRACK WITH SIDE PANELS AND FLANGES



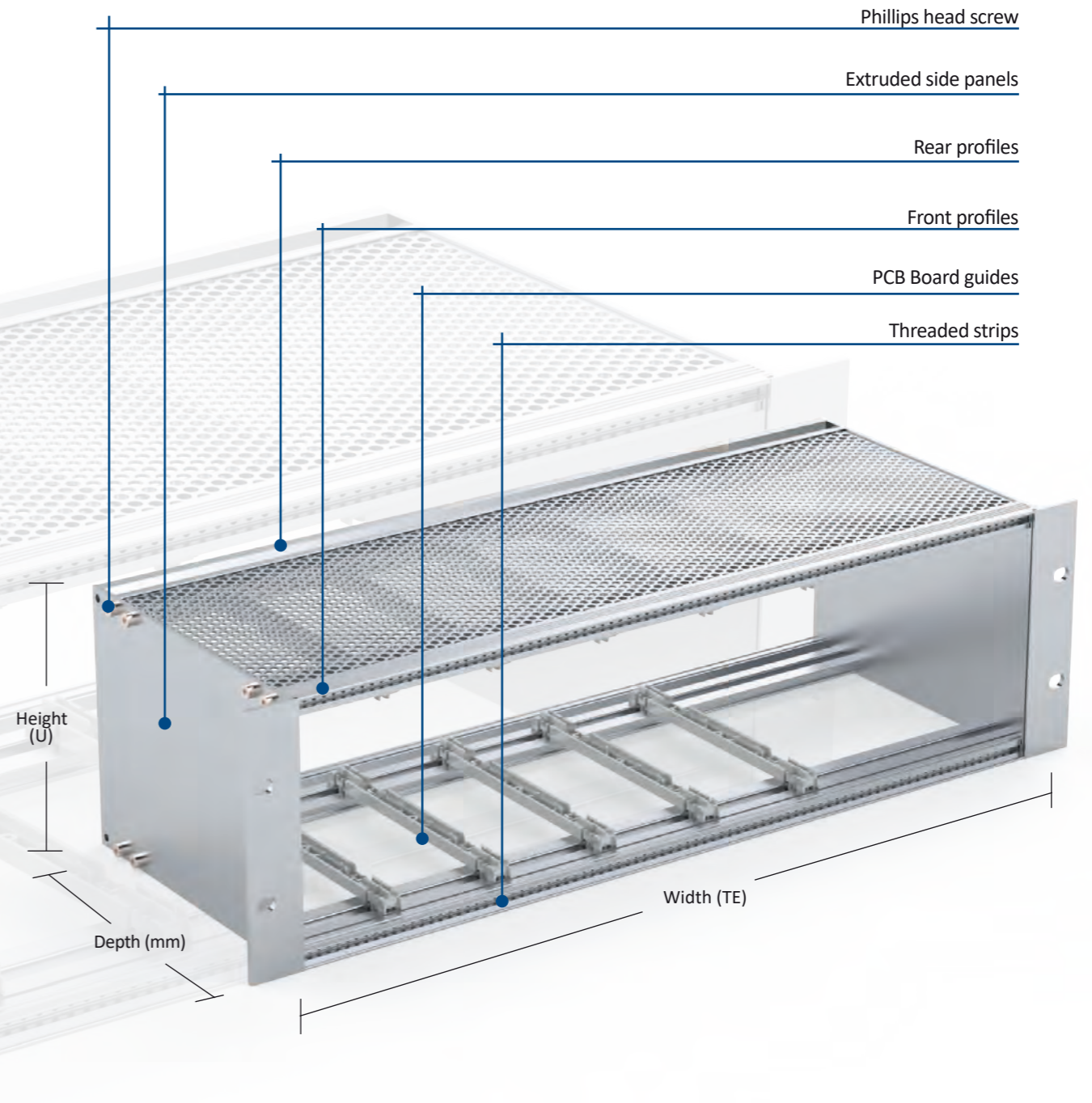
U	Inner U	PCB board depth mm	Depth subrack mm	TE	Purchase code
3	3	160	175,5	42	0203-0403-4216
3	3	220	235,5	42	0203-0403-4222
3	3	160	175,5	60	0203-0403-6016
3	3	220	235,5	60	0203-0403-6022
3	3	160	175,5	84	0203-0403-8416
3	3	220	235,5	84	0203-0403-8422



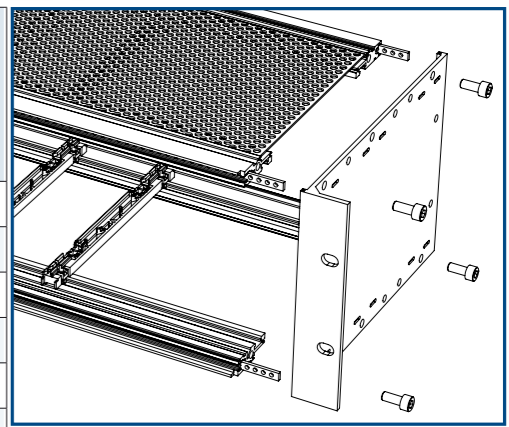
SIDE PANEL DETAIL AND FLANGE

☐ Cover not included ☐ Upon request additional depths

3U SUBRACK WITH EXTRUDED SIDE PANELS



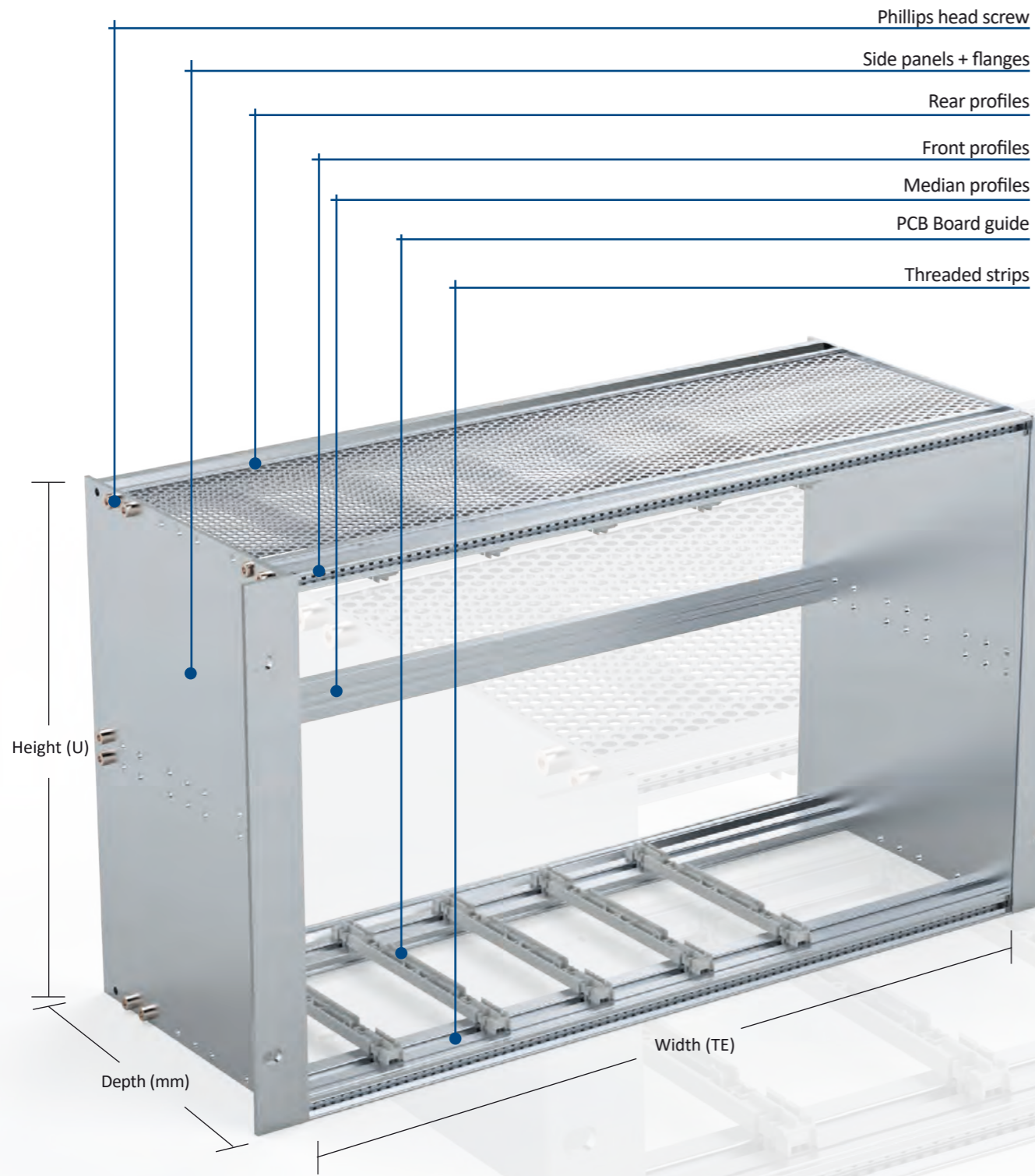
U	Inner U	PCB board depth mm	Depth subrack mm	TE	Purchase code
3	3	160	175,5	42	0203-0103-4216
3	3	220	235,5	42	0203-0103-4222
3	3	160	175,5	60	0203-0103-6016
3	3	220	235,5	60	0203-0103-6022
3	3	160	175,5	84	0203-0103-8416
3	3	220	235,5	84	0203-0103-8422



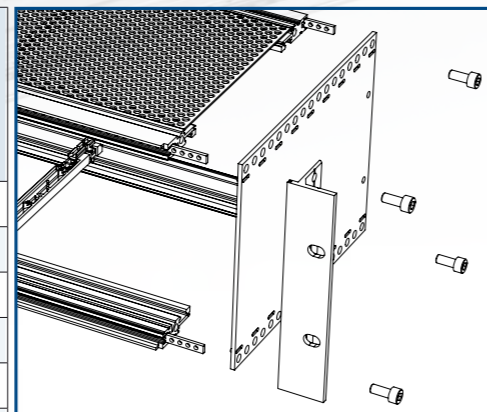
EXTRUDED SIDE PANEL DETAIL

☐ Cover not included
Mounting sizes according to IEC 60297-4-DIN 41494 - IEEE 1101.11 - DIN EN 51155

6U SUBRACK WITH SIDE PANELS AND FLANGES



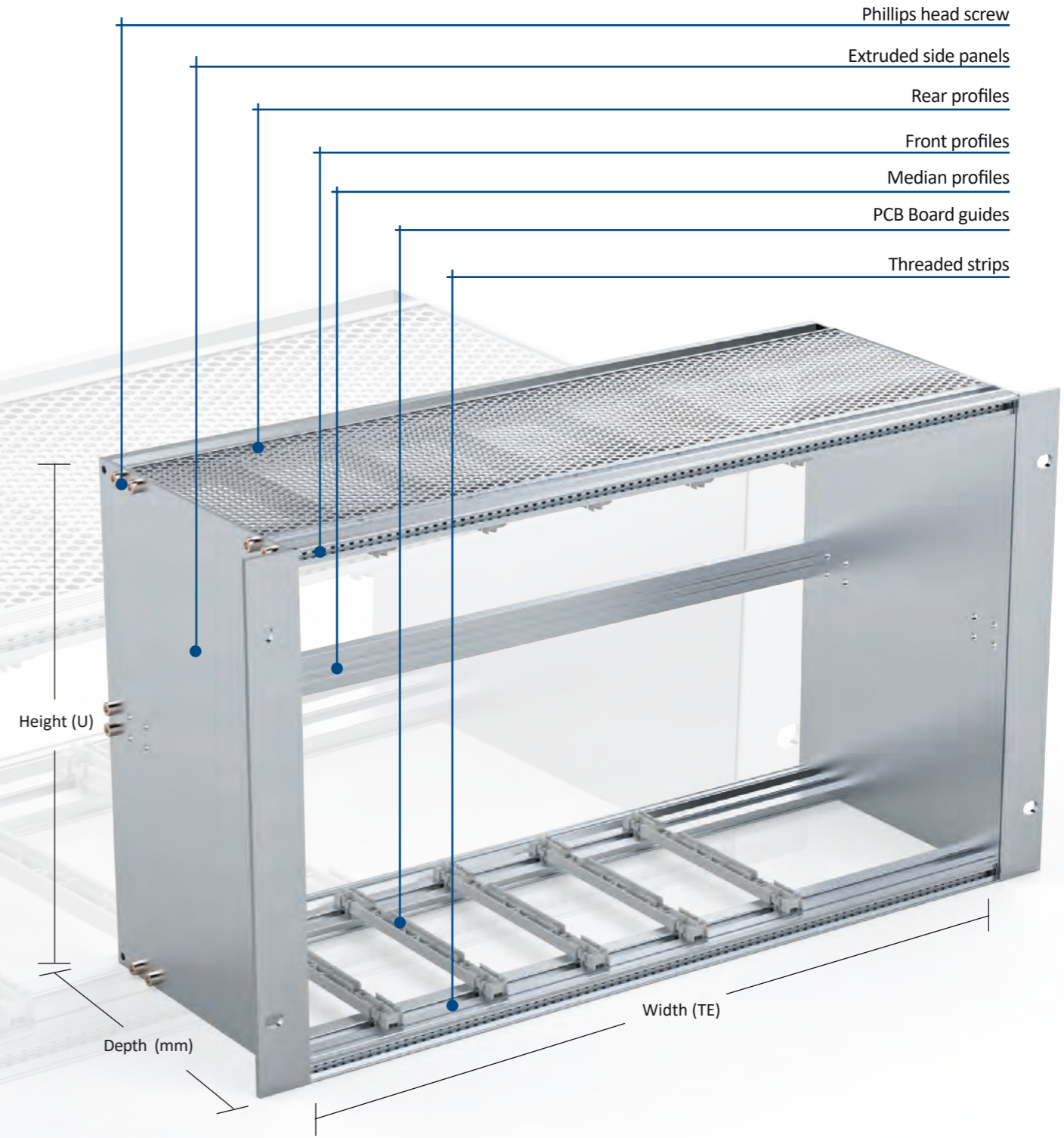
U	Inner U	PCB board depth mm	Depth subrack mm	TE	Purchase code
6	6	160	175,5	42	0203-0406-4216
6	6	220	235,5	42	0203-0406-4222
6	6	160	175,5	60	0203-0406-6016
6	6	220	235,5	60	0203-0406-6022
6	6	160	175,5	84	0203-0406-8416
6	6	220	235,5	84	0203-0406-8422



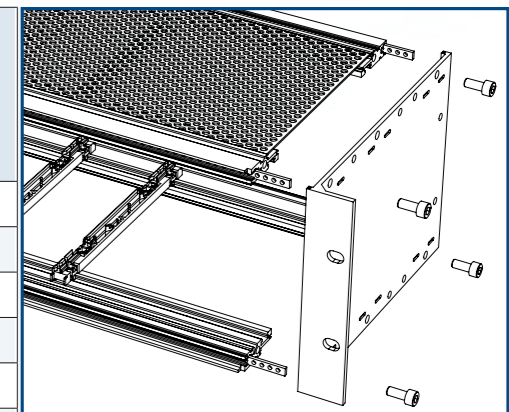
SIDE PANEL DETAIL AND FLANGE

Cover not included Upon request additional depths

6U SUBRACK WITH EXTRUDED SIDE PANELS



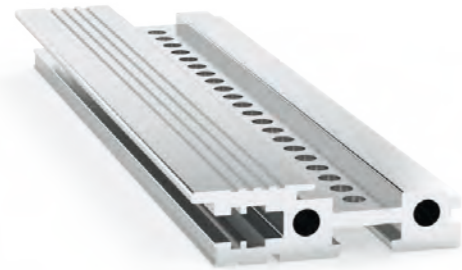
U	Inner U	PCB board depth mm	Depth subrack mm	TE	Purchase code
6	6	160	178,5	42	0203-0106-4216
6	6	220	235,5	42	0203-0106-4222
6	6	160	175,5	60	0203-0106-6016
6	6	220	235,5	60	0203-0106-6022
6	6	160	175,5	84	0203-0106-8416
6	6	220	235,5	84	0203-0106-8422



EXTRUDED SIDE PANEL DETAIL

Cover not included Mounting sizes according to IEC 60297-4-DIN 41494 - IEEE 1101.11 - DIN EN 51155

Front profiles



Width TE	Purchase code	
	Notched	Not notched
42	0203.0101.42	0203.0103.42
60	0203.0101.60	0203.0103.60
84	0203.0101.84	0203.0103.84

Extruded aluminium EN AW 6060 T6 - Conductive 650 Surtec

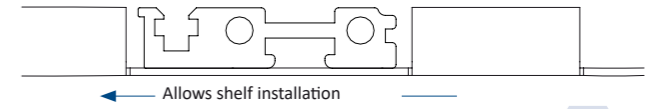
Phillips head M 4 screw SEE PG.189

Rear median profiles



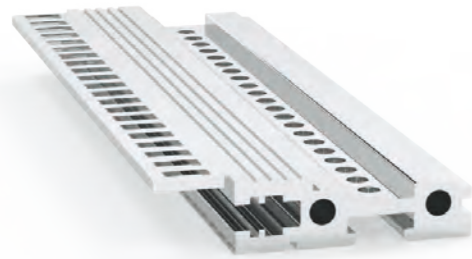
Width TE	Purchase code
42	0203.0601.42
60	0203.0601.60
84	0203.0601.84

Extruded aluminium EN AW 6060 T6 - Conductive 650 Surtec



Phillips head M 4 screw SEE PG.189

CPCI Rail Front profile



Width TE	Purchase code	
	Notched	Not notched
42	0203.1601.42	0203.1602.42
60	0203.1601.60	0203.1602.60
84	0203.1601.84	0203.1602.84

Extruded aluminium EN AW 6060 T6 - Conductive 650 Surtec

Phillips head M 4 screw SEE PG.189

Shortened median profiles with two threaded holes



Width TE	Purchase code
42	0203.1501.42
60	0203.1501.60
84	0203.1501.84

Extruded aluminium EN AW 6060 T6 - Conductive 650 Surtec

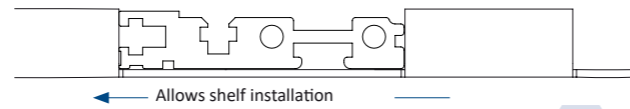
Phillips head M 4 screw SEE PG.189

Rear profiles



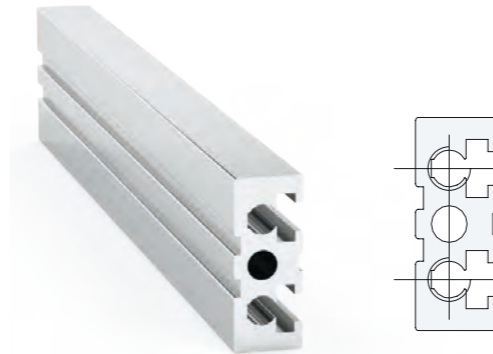
Width TE	Purchase code
42	0203.0401.42
60	0203.0401.60
84	0203.0401.84

Extruded aluminium EN AW 6060 T6 - Conductive 650 Surtec



Phillips head M 4 screw SEE PG.189

Shortened median profiles with two threaded holes



Width TE	Purchase code
42	0203.0501.42
60	0203.0501.60
84	0203.0501.84

Extruded aluminium EN AW 6060 T6 - Conductive 650 Surtec

Phillips head M 4 screw SEE PG.189

Insulation strips are required for use SEE PG.182

Shortened rear profiles



Width TE	Purchase code
42	0203.0301.42
60	0203.0301.60
84	0203.0301.84

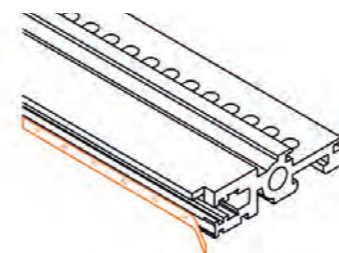
Extruded aluminium EN AW 6060 T6 - Conductive 650 Surtec

Phillips head M 4 screw SEE PG.189

Insulation strips are required for use SEE PG.182

"Z" bars SEE PG.183

Numbered strip



Length	Purchase code
from 01 to 42	0505.5901.0142
from 01 to 84	0505.5901.0184
from 42 to 01	0505.5901.4201
from 84 to 01	0505.5901.8401

Threaded strips M2,5 (stainless steel)



Width TE	Purchase code
42	0505.0105.42
60	0505.0105.60
84	0505.0105.84

Stainless steel M2,5 5 x 1,5



M2.5 Headless Screw

SEE PG.183

Brass M3 threaded strips



Width TE	Purchase code
42	0505.0106.4203
60	0505.0106.6003
84	0505.0106.8403

M3 5 x 2 mm Brass

M2.5 Headless Screw

SEE PG.183

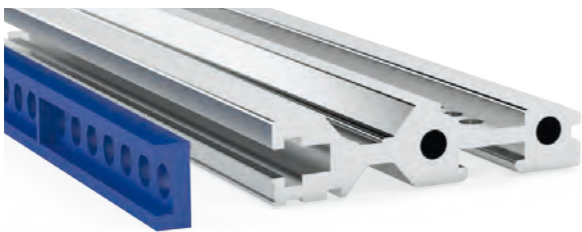
Screw guide strips



Width TE	Purchase code
42	0505.0104.42
60	0505.0104.60
84	0505.0104.84

Aluminium 5x1mm Ø 2,5

Non conducting strips



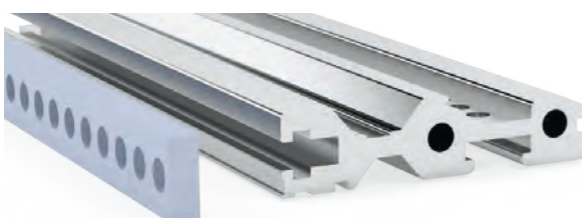
Width TE	Purchase code
42	0505.0103.42
60	0505.0103.60
84	0505.0103.84

PC V-0 8 x 3 mm

Use with shortened profiles

SEE PG.180 PG. 181

Spacer strips



Width TE	Purchase code
42	0505.0102.42
60	0505.0102.60
84	0505.0102.84

Aluminium 8 x 3 mm

Use with shortened profiles

SEE PG.180 PG. 181

U = Unit Height (1 U = 44,45 mm)

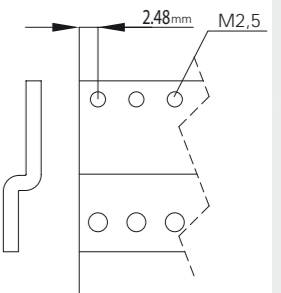
TE = Width TE (1 TE = 5,08 mm)

"Z" bars type "A"



Width TE	Purchase code
42	0505.0901.42
60	0505.0901.60
84	0505.0901.84

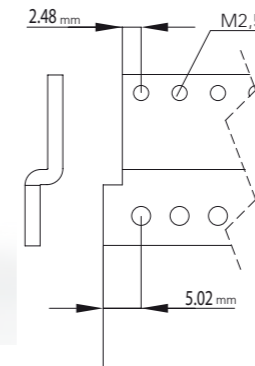
Aluminium 20/10 Surtec 650



Use with shortened profiles

SEE PG.180 PG. 181

"Z" bars type "B"



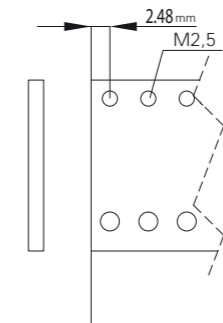
Width TE	Purchase code
42	0505.0902.42
60	0505.0902.60
84	0505.0902.84

Aluminium 20/10 Surtec 650

Use with shortened profiles

SEE PG.180 PG. 181

Flat bars type "A"



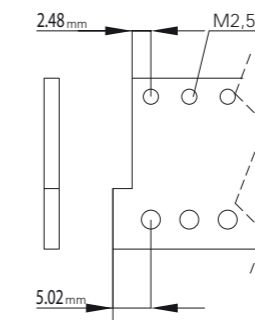
Width TE	Purchase code
42	0505.0905.42
60	0505.0905.60
84	0505.0905.84

Aluminium 20/10 Surtec 650

Use with others profiles

SEE PG.180 PG. 181

Flat bars type "B"



Width TE	Purchase code
42	0505.0906.42
60	0505.0906.60
84	0505.0906.84

Aluminium 20/10 Surtec 650

Use with others profiles

SEE PG.180 PG. 181

Headless screws



Size	Purchase code
M 2,5	1000.2102.2508
M 3	1000.2102.0308

Hex wrench for headless screws

SEE PG.180 PG. 181

160 Extruded side panels



U	Type	Purchase code
3	No hedge profile	0203.0701.0316
6	No hedge profile	0203.0701.0616
9	No hedge profile	0203.0701.0916
3	With handle holes and no hedge profile	0203.0702.0316
6	With handle holes and no hedge profile	0203.0702.0616
9	With handle holes and no hedge profile	0203.0702.0916

Extruded aluminium EN AW 6060 T6 - Conductive 650 Surtec
 With ground pin upon request

Back protector hoods



Width TE	U	Purchase code
42	3	0203.1201.0342
60	3	0203.1201.0360
84	3	0203.1201.0384
42	6	0203.1201.0642
60	6	0203.1201.0660
84	6	0203.1201.0684
42	9	0203.1201.0942
60	9	0203.1201.0960
84	9	0203.1201.0984

Aluminium 25/10 - Conductive 650 Surtec

220 Extruded side panels



U	Type	Purchase code
3	No hedge profile	0203.0711.0322
6	No hedge profile	0203.0711.0622
9	No hedge profile	0203.0711.0922
3	With handle holes and no hedge profile	0203.0712.0322
6	With handle holes and no hedge profile	0203.0712.0622
9	With handle holes and no hedge profile	0203.0712.0922

Extruded aluminium EN AW 6060 T6 - Conductive 650 Surtec
 With ground pin upon request

Rear finishing profiles



U	Purchase code
3	0203.1001.03
6	0203.1001.06
9	0203.1001.09

Extruded aluminium - Conductive 650 Surtec

Flanges



U	Purchase code	Purchase code with handle holes
1	0203.0901.01	0203.0902.01
2	0203.0901.02	0203.0902.02
3	0203.0901.03	0203.0902.03
4	0203.0901.04	0203.0902.04
5	0203.0901.05	0203.0902.05
6	0203.0901.06	0203.0902.06
9	0203.0901.09	0203.0902.09

Extruded aluminium EN AW 6060 T6 - Conductive 650 Surtec

With ground pin upon request

Handles provided separately

SEE
PG.189

Side panel



PCB board depth mm	U	Purchase code
160	1	0203.0801.0116
160	2	0203.0801.0216
160	3	0203.0801.0316
160	4	0203.0801.0416
160	5	0203.0801.0516
160	6	0203.0801.0616
160	9	0203.0801.0916
220	1	0203.0801.0122
220	2	0203.0801.0222
220	3	0203.0801.0322
220	4	0203.0801.0422
220	5	0203.0801.0522
220	6	0203.0801.0622
220	9	0203.0801.0922

Aluminium25/10 - Conductive 650 Surtec

Upon request additional depths from

Flanges for backward mount



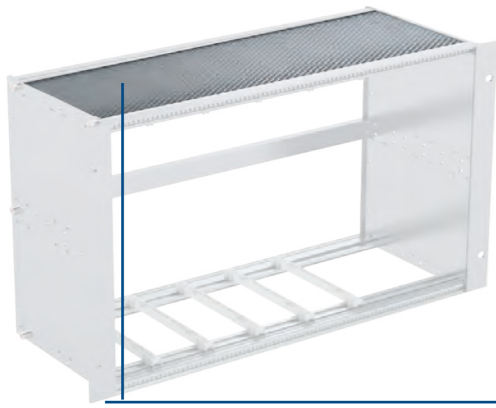
U	Purchase code	Purchase code with handle holes
1	0203.0906.01	0203.0907.01
2	0203.0906.02	0203.0907.02
3	0203.0906.03	0203.0907.03
4	0203.0906.04	0203.0907.04
5	0203.0906.05	0203.0907.05
6	0203.0906.06	0203.0907.06
7	0203.0906.07	0203.0907.07
8	0203.0906.08	0203.0907.08
9	0203.0906.09	0203.0907.09

Extruded aluminium - Conductive 650 Surtec

Handles provided separately

SEE
PG.189

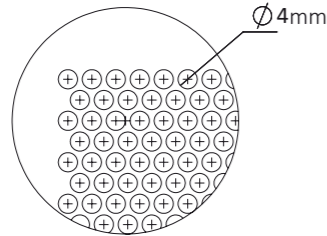
External not removable ventilated covers



PCB board depth mm	TE	Purchase code
160	42	0203.1101.1642
160	60	0203.1101.1660
160	84	0203.1101.1684
220	42	0203.1101.2242
220	60	0203.1101.2260
220	84	0203.1101.2284

Aluminium10/10 pre-drilled holes Ø 4mm - Conductive 650 Surtec

Upon request additional depths from 250 mm to 450 mm



External not removable blank covers

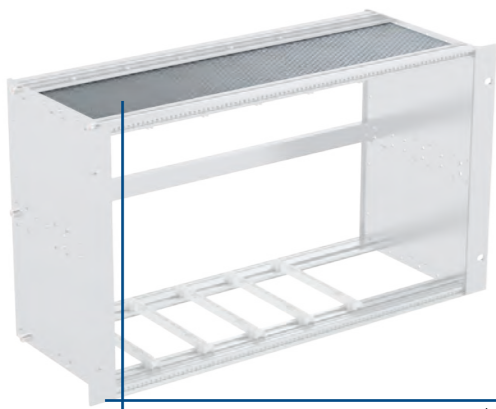


PCB board depth mm	TE	Purchase code
160	42	0203.1103.1642
160	60	0203.1103.1660
160	84	0203.1103.1684
220	42	0203.1103.2242
220	60	0203.1103.2260
220	84	0203.1103.2284

Aluminium10/10 - Conductive 650 Surtec

Upon request additional depths from 250 mm to 450 mm

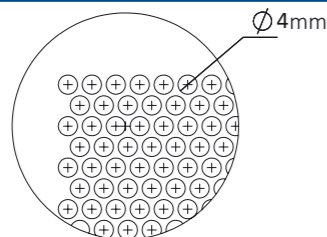
Internal not removable ventilated covers



PCB board depth mm	TE	Purchase code
160	42	0203.1104.1642
160	60	0203.1104.1660
160	84	0203.1104.1684
220	42	0203.1104.2242
220	60	0203.1104.2260
220	84	0203.1104.2284

Aluminium10/10 pre-drilled holes Ø 4mm - Conductive 650 Surtec

Upon request additional depths from 250 mm to 450 mm



Internal not removable blank covers



PCB board depth mm	TE	Purchase code
160	42	0203.1106.1642
160	60	0203.1106.1660
160	84	0203.1106.1684
220	42	0203.1106.2242
220	60	0203.1106.2260
220	84	0203.1106.2284

Aluminium10/10 - Conductive 650 Surtec

Upon request additional depths from 250 mm to 450 mm

Ventilated removable covers



PCB board depth mm	TE	Purchase code Ø 4mm holes	Purchase code Ø 8mm holes	Purchase code honeycomb holes
160	42	0203.1107.1642	0203.1108.1642	0203.1110.1642
160	60	0203.1107.1660	0203.1108.1660	0203.1110.1660
160	84	0203.1107.1684	0203.1108.1684	0203.1110.1684
220	42	0203.1107.2242	0203.1108.2242	0203.1110.2242
220	60	0203.1107.2260	0203.1108.2260	0203.1110.2260
220	84	0203.1107.2284	0203.1108.2284	0203.1110.2284

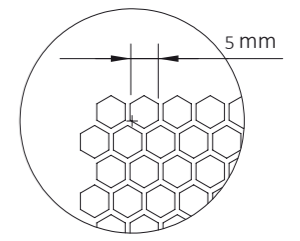
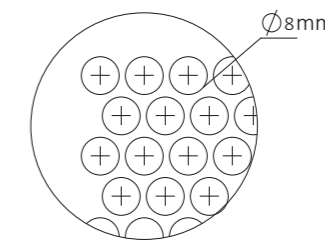
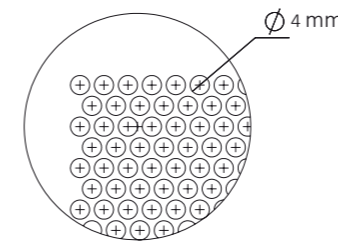
Aluminium15/10 - Conductive 650 Surtec

Upon request additional depths from 250 mm to 450 mm

DETAIL FOR GRID HOLES Ø 4mm

DETAIL FOR GRID HOLES Ø 8mm

DETAIL FOR GRID HONEYCOMB HOLES



Removable blank covers



PCB board depth mm	TE	Purchase code
160	42	0203.1109.1642
160	60	0203.1109.1660
160	84	0203.1109.1684
220	42	0203.1109.2242
220	60	0203.1109.2260
220	84	0203.1109.2284

Aluminium15/10 - Conductive 650 Surtec

Upon request additional depths from 250 mm to 450 mm

Slot mounted separating walls



PCB board depth mm	U	Purchase code
160	6	0203.1403.0616
160	9	0203.1403.0916
220	6	0203.1403.0622
220	9	0203.1403.0922

Mangelis 10/10

Screw mounted separating walls



PCB board depth mm	U	Purchase code
160	6	0203.1404.0616
160	9	0203.1404.0916
220	6	0203.1404.0622
220	9	0203.1404.0922

Mangelis 10/10

Blank base plants



PCB board depth mm	TE	Purchase code
160	42	0203.1301.1642
160	60	0203.1301.1660
160	84	0203.1301.1684
220	42	0203.1301.2242
220	60	0203.1301.2260
220	84	0203.1301.2284

Aluminium 15/10 - Conductive 650 Surtec

Upon request additional depths from 250 mm to 450 mm

Ventilated base plants



PCB board depth mm	TE	Purchase code
160	42	0203.1302.1642
160	60	0203.1302.1660
160	84	0203.1302.1684
220	42	0203.1302.2242
220	60	0203.1302.2260
220	84	0203.1302.2284

Aluminium 15/10 - Conductive 650 Surtec

Upon request additional depths from 250 mm to 450 mm

U = Unit Height (1 U = 44,45 mm)

TE = Width TE (1 TE = 5,08 mm)

Extruded handles



U	Hole type	Handle thickness mm	Wheelbase mm	Purchase code
2	M4	12	45	0505.0701.0212
3-5	M4	12	88	0505.0701.0312
4-6-9	M4	12	133.4	0505.0701.0412

Extruded aluminium EN AW 6060 T6 - Anodized

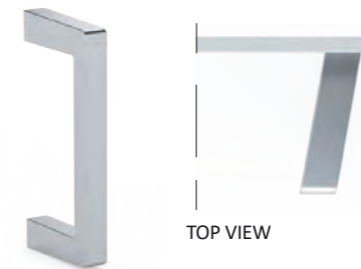
Use with flanges

SEE
PG.185

The code refers to the single handle

Upon request M5

Extruded handles inclined 10°



U	Hole type	Handle thickness mm	Wheelbase mm	Purchase code
3-5	M4	12	88	0505.0703.0312
4-6-9	M4	12	133.4	0505.0703.0412

Extruded aluminium EN AW 6060 T6 - Anodized

Use with flanges

SEE
PG.185

The code refers to the single handle

Upon request M5

Round handles



U	Hole type	Ø Handle mm	Wheelbase mm	Purchase code
3-5	M4	8	88	0505.0704.0308
4-6-9	M4	8	133.4	0505.0704.0408

Aluminium

Use with flanges

SEE
PG.185

The code refers to the single handle

Round handles (Stainless steel)



U	Hole type	Ø Handle mm	Wheelbase mm	Purchase code
3-5	M4	8	88	0505.0711.0308
4-6-9	M4	8	133.4	0505.0711.0408

Stainless steel

Use with flanges

SEE
PG.185

The code refers to the single handle

Sub rack rail Phillips head screw



Type	Purchase code
M4x12	1000.0202.0412

Hex wrench for headless screws



Type	Purchase code
M2,5	1000.2100.25
M3	1000.2100.03

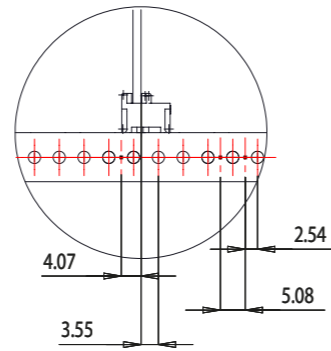
For headless screw

SEE
PG.183

The PCB card guides are used to install the printed circuit boards on the frame and its subassemblies and are fixed through holes to the frame's profiles.

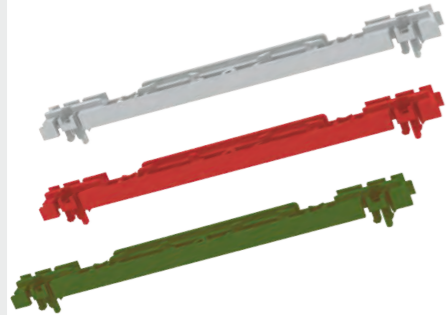
The slot width varies from 2 to 2.5 mm. Conductive and non-conductive vibration dampers as well as expansion fastening pins are available as options.

The PCB card guides are available in different configurations: offset, reinforced and IEEE. Their length may vary from 160 to 220 mm.



Front View: Guides Positioning

PCB Board guide



PCB board depth mm	PCB Board slot mm	Purchase code grey	Purchase code red	Purchase code green
160	2	0505.0201.16	0505.0201.1602	0505.0201.1603
220	2	0505.0201.22	0505.0201.2202	-
160	2,5	0505.0206.16	0505.0206.1602	-
220	2,5	0505.0206.22	0505.0206.2202	-

Polycarbonate PC UL 94 V-0 Temperature -40 ° C to + 115 ° C

Reinforced PCB Board guides



PCB board depth mm	PCB Board slot mm	Purchase code grey	Purchase code red
220	2	0505.0203.22	0505.0203.2202
220	2,5	0505.0208.22	0505.0208.2202

Polycarbonate PC UL 94 V-0 Temperature -40 ° C to + 115 ° C

Offset PCB Board guide



PCB board depth mm	PCB Board slot mm	Purchase code
220	2	0505.0210.22
220	2,5	0505.0211.22

Polycarbonate PC UL 94 V-0 - Colour Green - Temperature -40°C to +115°C

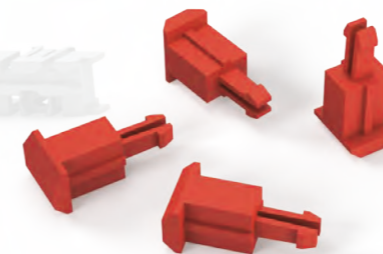
Aluminium PCB board guides



PCB board depth mm	PCB Board slot mm	Purchase code
100	2,5	0505.0204.10
120	2,5	0505.0204.12
140	2,5	0505.0204.14
160	2,5	0505.0204.16
180	2,5	0505.0204.18
200	2,5	0505.0204.20
220	2,5	0505.0204.22
240	2,5	0505.0204.24
260	2,5	0505.0204.26
280	2,5	0505.0204.28

Extruded aluminium EN AW 6060 T6 - Painted RAL 9005

Encoding pin



Purchase code

0505.1201

Nylon PA66 + 30 % FV

The code refers to the single pin

Encoding mask



Purchase code

0505.1203

Nylon PA66 + 30 % FV

Encoding combs



Measure mm

6

4,2

3,46

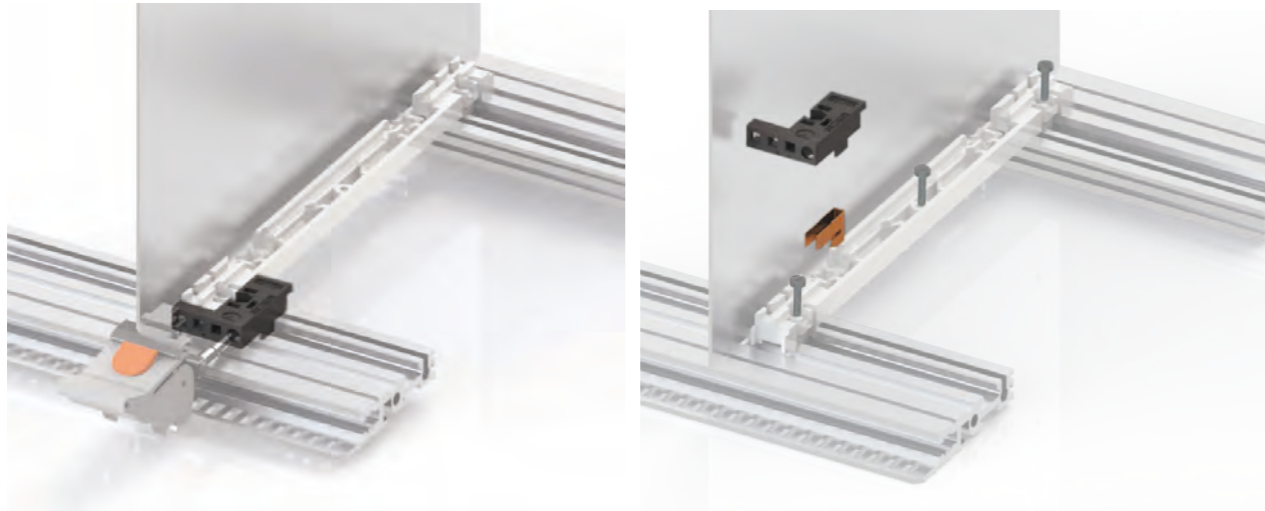
Purchase code

0505.1202.03

0505.1202.04

0505.1202.06

Nylon PA66 + 30 % FV



Encoding kit



Colour	Purchase code
black	0505-4118-01
red	0505-4118-0102
green	0505-4118-0103

Polycarbonate PC UL 94 V-0 Temperature -40 ° C to + 115 ° C

IEEE Contact spring

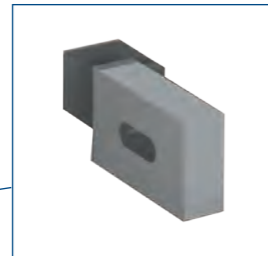
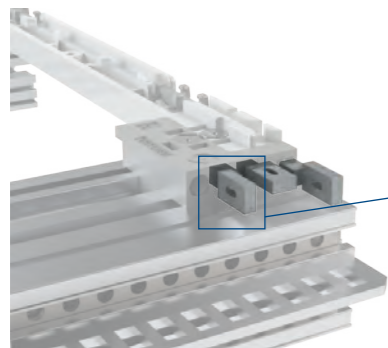


Purchase code
0505.3904

Bronze

Contact spring for encoding kit

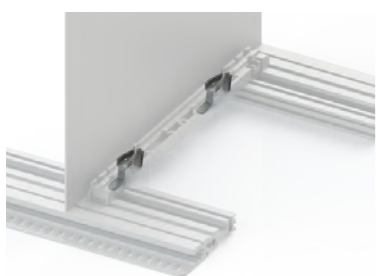
Encoding pin



Purchase code
0505.1201.02

Polycarbonate PC UL 94 V 0
Temperature -40°C to +115°C

PCB Board contact spring



Purchase code
0505.6403

Nickel-plated bronze

PB Board fixing pins



Purchase code
0505.8001

Plastic PBT UL 94 V 0 - Colour black - Temperature -40°C to +115°C

The pin is used as an alternative to the fixing screw

PATENT NUMBER: BR16623

PB Board fixing screws - M2,5 x12



Head type	Material	Purchase code
Torx	Steel 8.8	1000.0112.2512
Phillips	Steel 8.8	1000.0104.2512
Phillips	Stainless steel	1000.1104.2512

Steel 8.8 - Stainless steel

Extractor



Purchase code
0505.4001.03

Nylon PA66 + 30 % FV

Antivibration



Colour	Conductive	PCB Board thickness mm	Material	Purchase code
Grey	Non-conductive	2	PC	0505.6401.16
Black	Non-conductive	2,5	PC	0505.6401.20
Black	Conductive	2	Denistat Y 30C 02 Resistance 5 Ohm	0505.6402.16
Black	Conductive	2,5	Denistat Y 30C 02 Resistance 5 Ohm	0505.6402.20

The code includes front and rear anti-vibrations

PCB Board lead-in



Purchase code
0505.3903

Polycarbonate PC UL 94 V 0
Colour grey
Temperature -40°C to +115°C

The code includes top and bottom PCB Board lead-in

COLOURS

The choice of colors in some of the accessories will increase the recognition and customization of the product making it unique.

MECHANICAL CUSTOMIZATION:

Thanks to modern machining technology, it is possible to customize every single piece, thus allowing the elimination of additional working and reducing delivery time.

SERIES CUSTOMIZATION:

In case of high volumes, the customization procedures will be optimized, reducing costs and timing by transforming the custom product into a standard one.

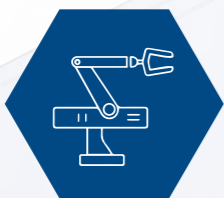
SERIGRAPHY:

In addition to the possibility of different colors of the outside structure, all internal components, such as the front panels, can be customized with serigraphic printing that allows to utilize a wide range of bright colours, texts, images or logos.

FINISHING:

The most widely used material is aluminium, for which we have several surface treatments such as:
SURTEC 650: a liquid process that provides the substrate with high corrosion protection: 336 h in simple saline mist and 150 h in acetic saline mist.
ANODIZATION: a non-spontaneous electrochemical process by which a protective layer is formed on the surface of the treated metal and protects it from corrosion.

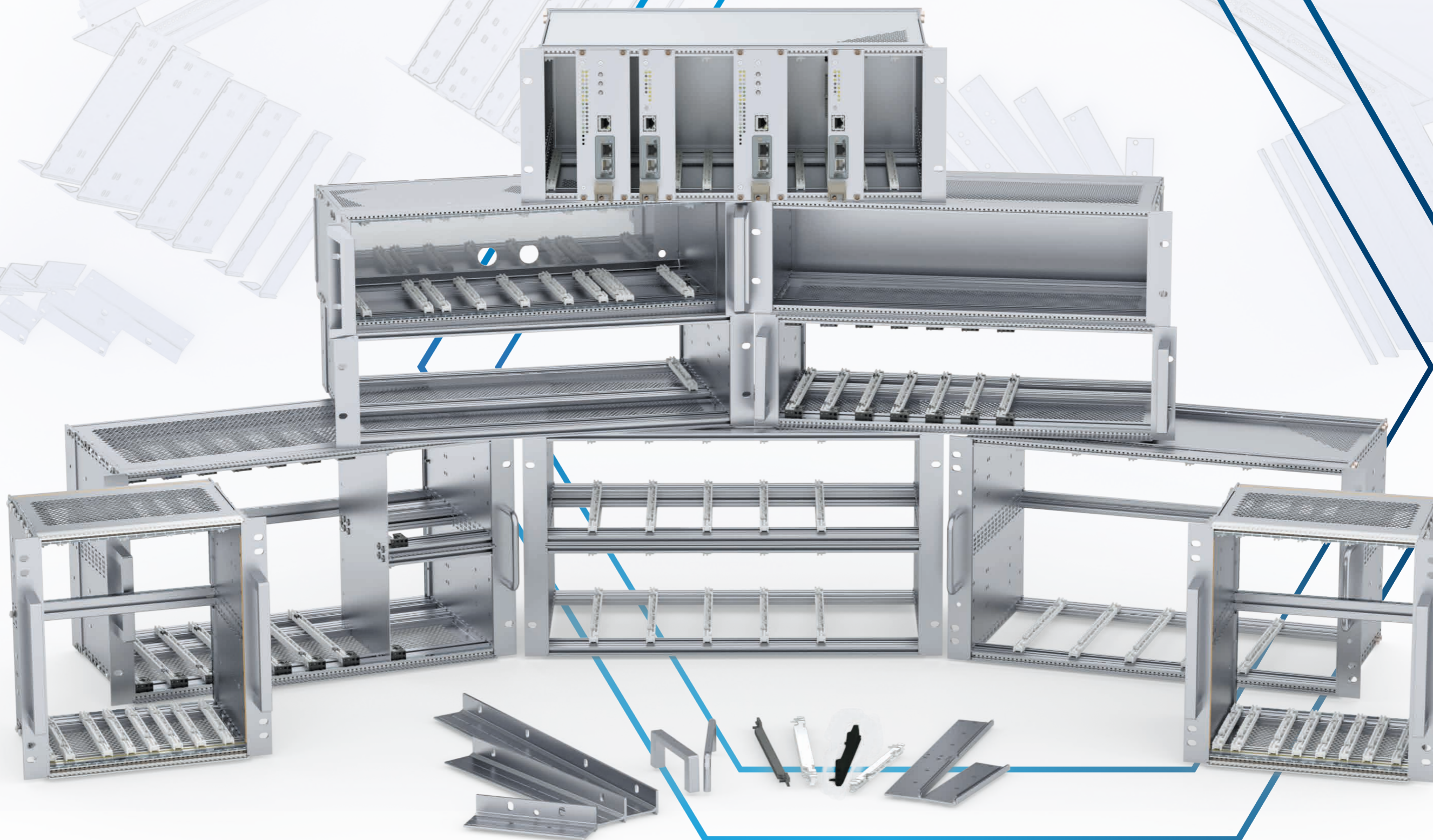


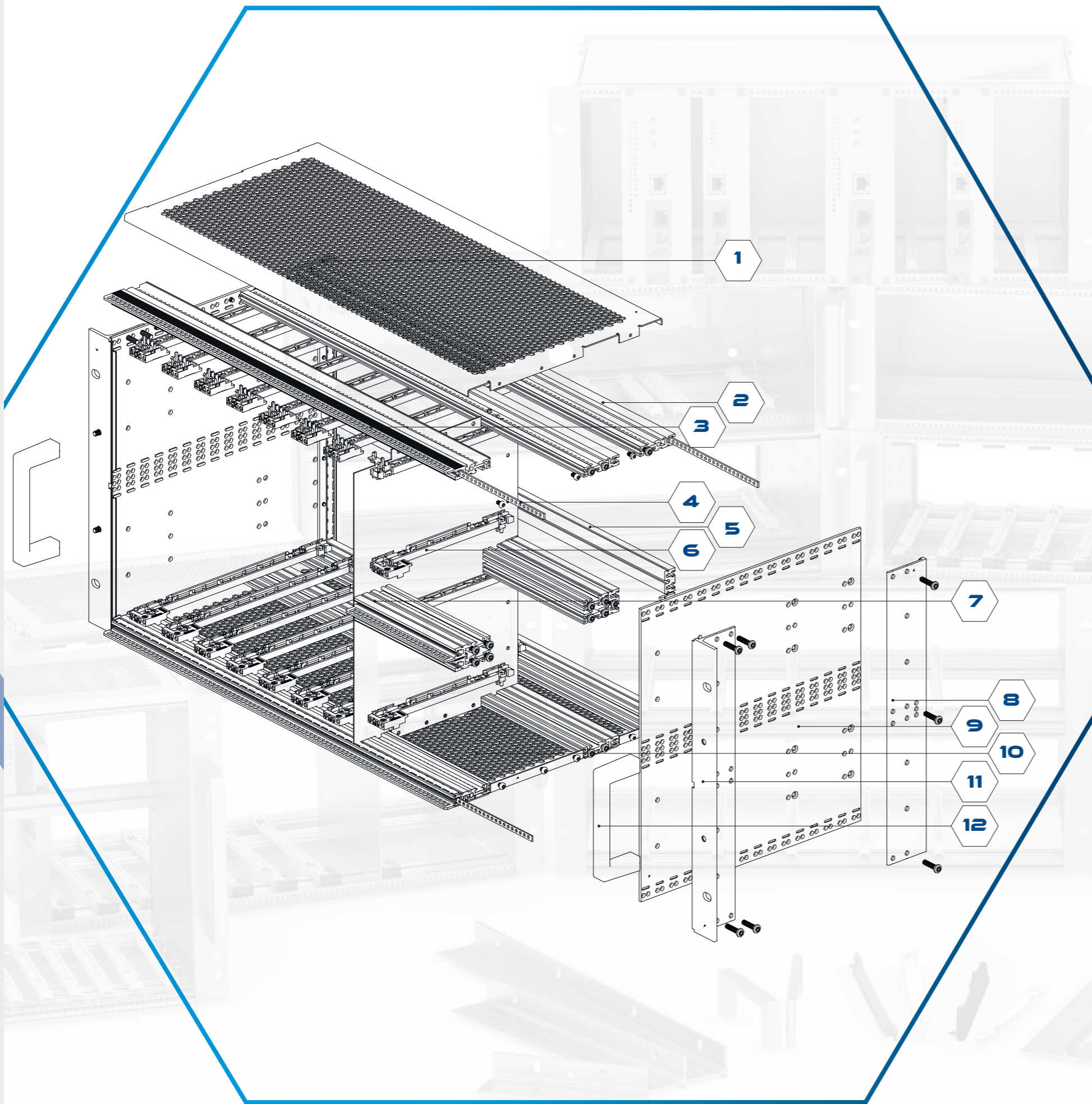


Subracks for Eurocard 3U x 160/220, 6U x 160/220 cards and various sizes, built according to IEC 60297 - DIN 41494 specifications.

They are composed of side panels and double-hole aluminium profiles, with Surtec 650 treated surface. Strength - modularity - EMC compatibility – availability of a wide range of accessories.

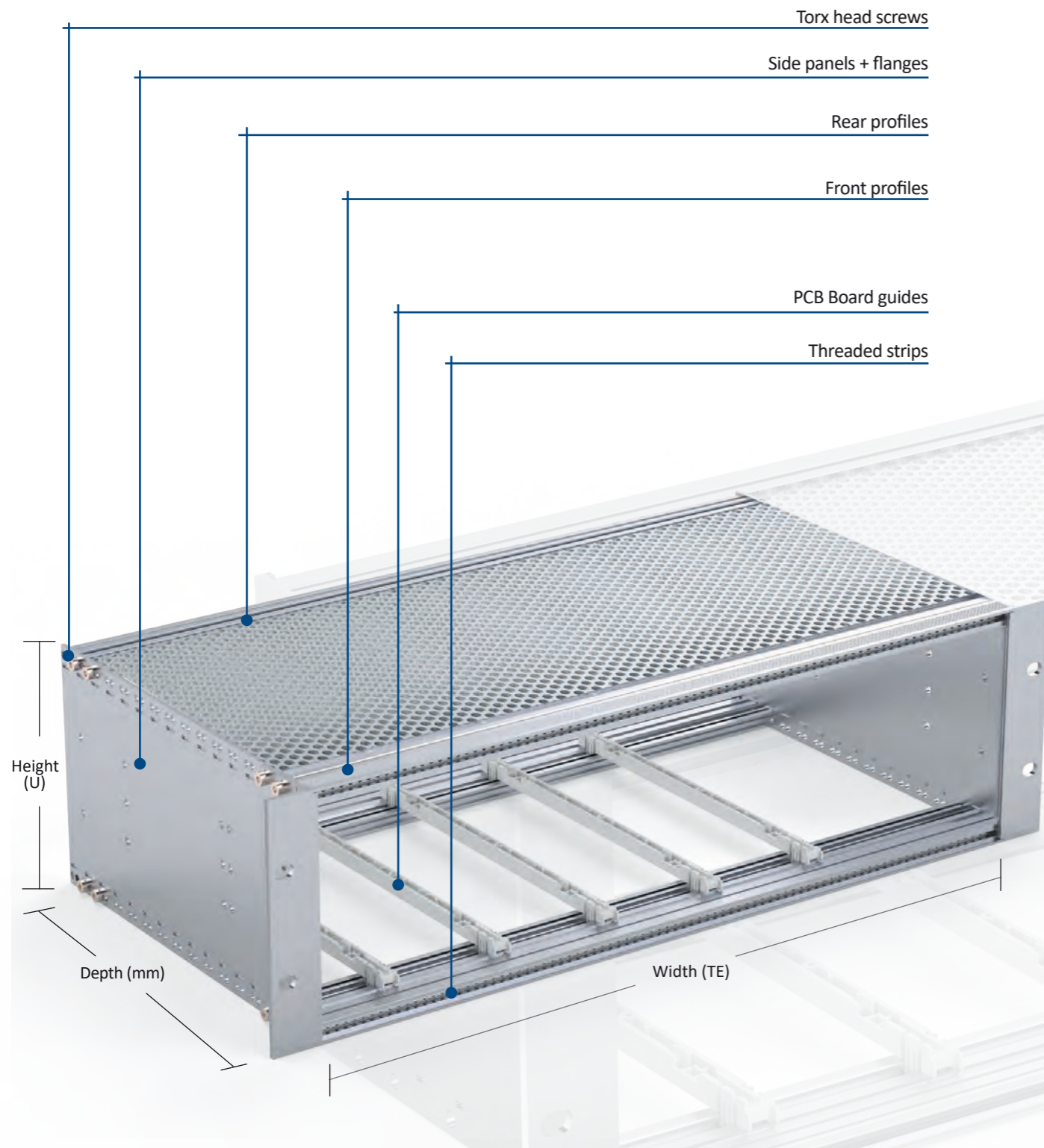
They are mainly used in the railways and defence sectors and in all heavy duty or extreme shock and vibration applications.





1	Covers	PG. 208
2	Rear profiles	PG. 202
3	Front profiles	PG. 202
4	Separating walls	PG. 210
5	Median closing profiles	PG. 203
6	PCB Board guides and accessories	PG. 212
7	Front profiles	PG. 202
8	Rear finishing profiles	PG. 206
9	Side panel	PG. 206
10	Base plants	PG. 210
11	Flanges 19"	PG. 206
12	Handles	PG. 211

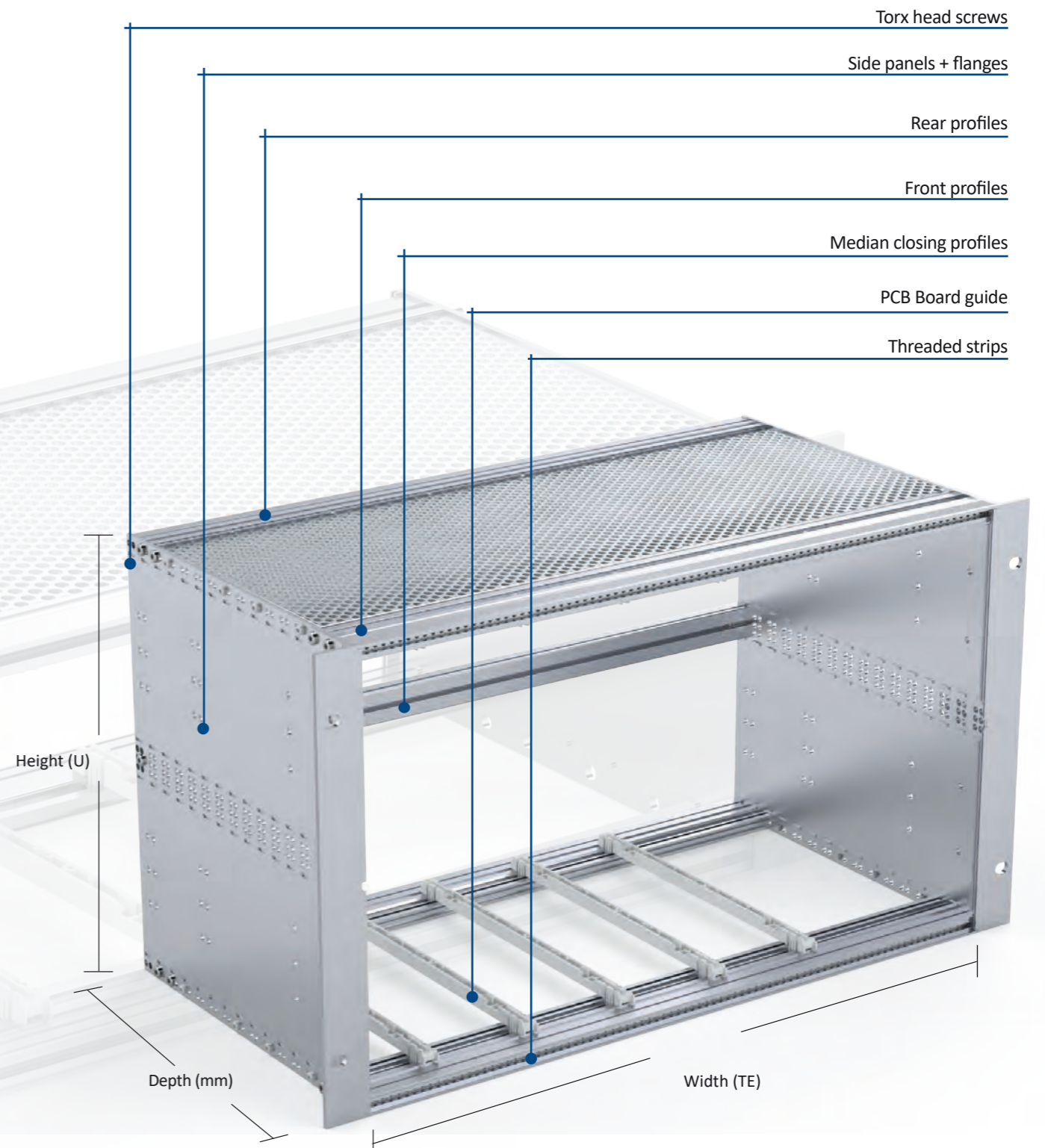
3U SUBRACK WITH SIDE PANELS AND FLANGES



U	Inner U	PCB board depth mm	Subrack depth mm	TE	Purchase code
3	3	160	175,5	42	0204-0403-4216
3	3	220	235,5	42	0204-0403-4222
3	3	160	175,5	60	0204-0403-6016
3	3	220	235,5	60	0204-0403-6022
3	3	160	175,5	84	0204-0403-8416
3	3	220	235,5	84	0204-0403-8422

▶▶▶ Cover not included
 ▶▶▶ Upon request further depth for nominal board: 280 - 340 - 400
 Mounting sizes according to IEC 60297-4-DIN 41494 - IEEE 1101.11 - DIN EN 51155

6U SUBRACK WITH SIDE PANELS AND FLANGES



U	Inner U	PCB board depth mm	Subrack depth mm	TE	Purchase code
6	6	160	175,5	42	0204-0406-4216
6	6	220	235,5	42	0204-0406-4222
6	6	160	175,5	60	0204-0406-6016
6	6	220	235,5	60	0204-0406-6022
6	6	160	175,5	84	0204-0406-8416
6	6	220	235,5	84	0204-0406-8422

▶▶▶ Cover not included
 ▶▶▶ Upon request further depth for nominal board: 280 - 340 - 400
 U = Unit Height (1 U = 44,45 mm) TE = Width TE (1 TE = 5,08 mm)

SUBRACK RAIL PLUS COMPONENTS AND ACCESSORIES

Front profiles



Width TE	Purchase code
42	0204.0101.42
60	0204.0101.60
84	0204.0101.84

Extruded aluminium EN AW 6060 T6 - Conductive 650 Surtec

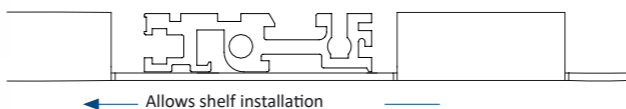
▶▶▶ Torx head M 4 screw SEE PG.211

Shortened rear profiles



Width TE	Purchase code
42	0204.0301.42
60	0204.0301.60
84	0204.0301.84

Extruded aluminium EN AW 6060 T6 - Conductive 650 Surtec



▶▶▶ Torx head M 4 screw SEE PG.211

▶▶▶ Insulation strips are required for use SEE PG.204

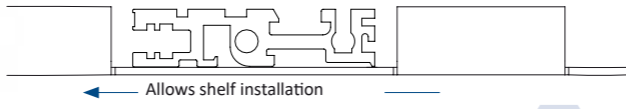
▶▶▶ "Z" bars SEE PG.205

Rear profiles



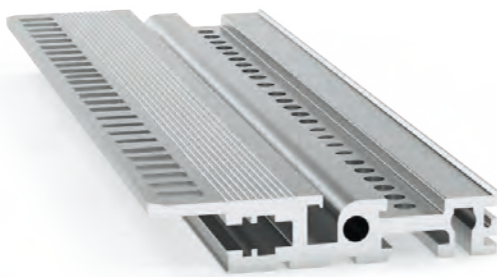
Width TE	Purchase code
42	0204.0401.42
60	0204.0401.60
84	0204.0401.84

Extruded aluminium EN AW 6060 T6 - Conductive 650 Surtec



▶▶▶ Torx head M 4 screw SEE PG.211

CPCI Rail Front profile

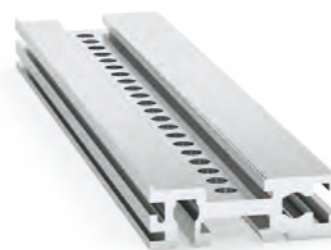


Width TE	Purchase code
42	0204.1601.42
60	0204.1601.60
84	0204.1601.84

Extruded aluminium EN AW 6060 T6 - Conductive 650 Surtec

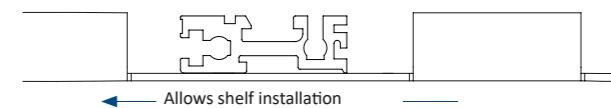
▶▶▶ Torx head M 4 screw SEE PG.211

Rear median profiles



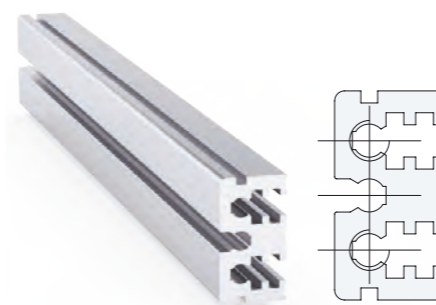
Width TE	Purchase code
42	0204.0601.42
60	0204.0601.60
84	0204.0601.84

Extruded aluminium EN AW 6060 T6 - Conductive 650 Surtec



▶▶▶ Torx head M 4 screw SEE PG.211

Median closing profiles with two threaded holes

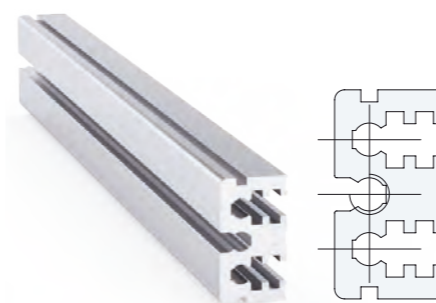


Width TE	Purchase code
42	0204.1504.42
60	0204.1504.60
84	0204.1504.84

Extruded aluminium EN AW 6060 T6 - Conductive 650 Surtec

▶▶▶ Torx head M 4 screw SEE PG.211

Median profiles with one threaded hole

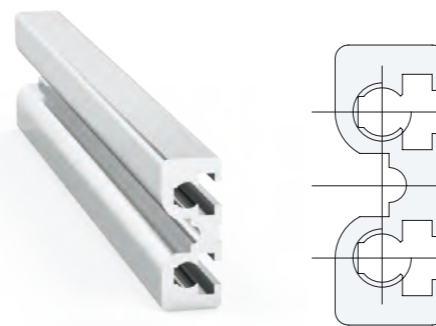


Width TE	Purchase code
42	0204.1505.42
60	0204.1505.60
84	0204.1505.84

Extruded aluminium EN AW 6060 T6 - Conductive 650 Surtec

▶▶▶ Torx head M 4 screw SEE PG.211

Shortened median profiles with two threaded holes



Width TE	Purchase code
42	0204.0501.42
60	0204.0501.60
84	0204.0501.84

Extruded aluminium EN AW 6060 T6 - Conductive 650 Surtec

▶▶▶ Torx head M 4 screw SEE PG.211

▶▶▶ Insulation strips are required for use SEE PG.204

▶▶▶ "Z" bars SEE PG.205

Threaded strips M2,5 (stainless steel)



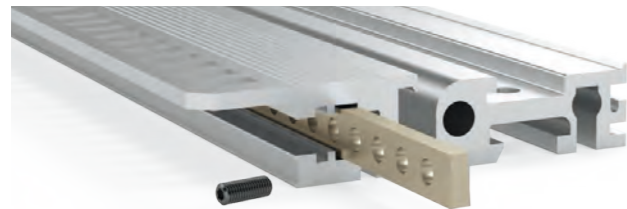
Width TE	Purchase code
42	0505.0105.42
60	0505.0105.60
84	0505.0105.84

Stainless steel M2,5 5 x 1,5



Use with shortened profiles SEE PG.202 PG.203

Brass M3 threaded strips



Width TE	Purchase code
42	0505.0106.4203
60	0505.0106.6003
84	0505.0106.8403

M3 5 x 2 mm Brass

Use with shortened profiles SEE PG.202 PG.203

Screw guide strips

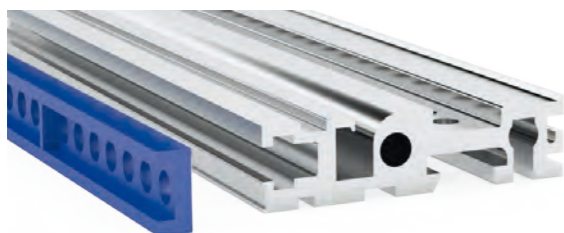


Width TE	Purchase code
42	0505.0104.42
60	0505.0104.60
84	0505.0104.84

Aluminium 5x1mm ϕ 2,5

Use with shortened profiles SEE PG.202 PG.203

Non conducting strips

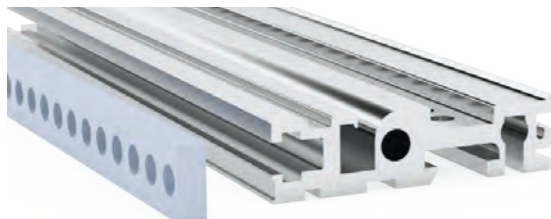


Width TE	Purchase code
42	0505.0103.42
60	0505.0103.60
84	0505.0103.84

PC V-0 8 x 3 mm

Use with shortened profiles SEE PG.202 PG.203

Spacer strips



Width TE	Purchase code
42	0505.0102.42
60	0505.0102.60
84	0505.0102.84

Aluminium 8 x 3 mm

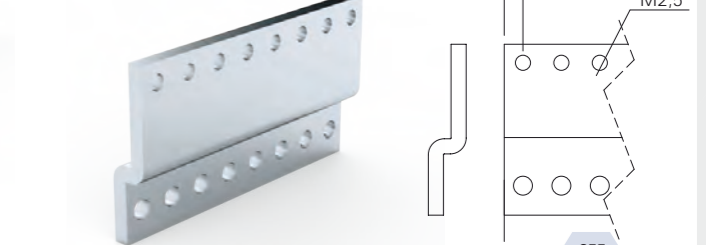
Use with shortened profiles SEE PG.202 PG.203

"Z" bars type A



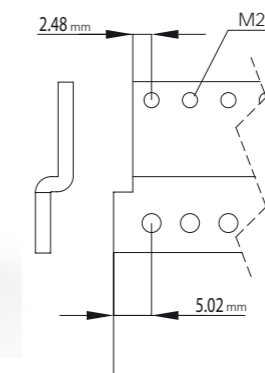
Width TE	Purchase code
42	0505.0901.42
60	0505.0901.60
84	0505.0901.84

Aluminium 20/10 Surtec 650



Use with shortened profiles SEE PG.202 PG.203

"Z" bars type "B"

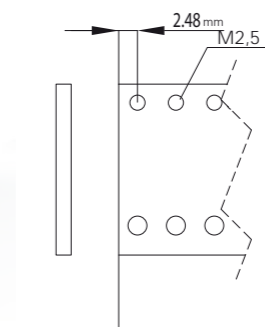
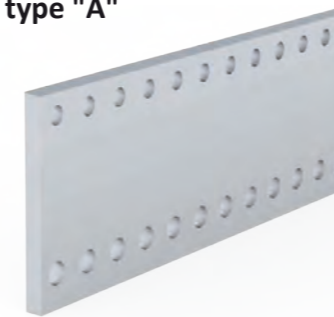


Width TE	Purchase code
42	0505.0902.42
60	0505.0902.60
84	0505.0902.84

Aluminium 20/10 Surtec 650

Use with shortened profiles SEE PG.202 PG.203

Flat bars type "A"

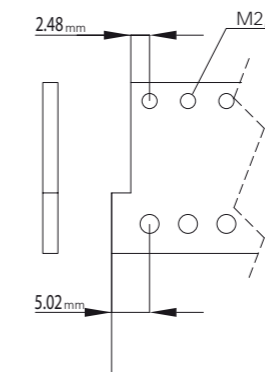
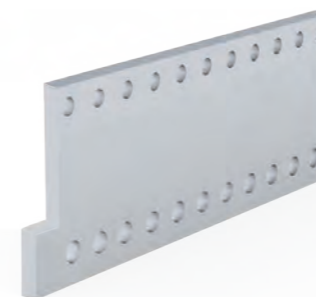


Width TE	Purchase code
42	0505.0905.42
60	0505.0905.60
84	0505.0905.84

Aluminium 20/10 Surtec 650

Use with others profiles SEE PG.202 PG.203

Flat bars type "B"



Width TE	Purchase code
42	0505.0906.42
60	0505.0906.60
84	0505.0906.84

Aluminium 20/10 Surtec 650

Use with others profiles SEE PG.202 PG.203

Headless screws



Size	Purchase code
M 2,5	1000.2102.2508
M 3	1000.2102.0308

Use with shortened profiles SEE PG.211

Flanges



U	Purchase code	Purchase code with handle holes
1	0204.0901.01	0204.0902.01
2	0204.0901.02	0204.0902.02
3	0204.0901.03	0204.0902.03
4	0204.0901.04	0204.0902.04
5	0204.0901.05	0204.0902.05
6	0204.0901.06	0204.0902.06
9	0204.0901.09	0204.0902.09

Extruded aluminium EN AW 6060 T6 - Conductive 650 Surtec

With ground pin upon request / GND

Handles provided separately

SEE PG.211

Flanges for backward mount



U	Purchase code	Purchase code with handle holes
1	0204.0906.01	0204.0907.01
2	0204.0906.02	0204.0907.02
3	0204.0906.03	0204.0907.03
4	0204.0906.04	0204.0907.04
5	0204.0906.05	0204.0907.05
6	0204.0906.06	0204.0907.06
7	0204.0906.07	0204.0907.07
8	0204.0906.08	0204.0907.08
9	0204.0906.09	0204.0907.09

Extruded aluminium - Conductive 650 Surtec

Handles provided separately

SEE PG.211

Side panel

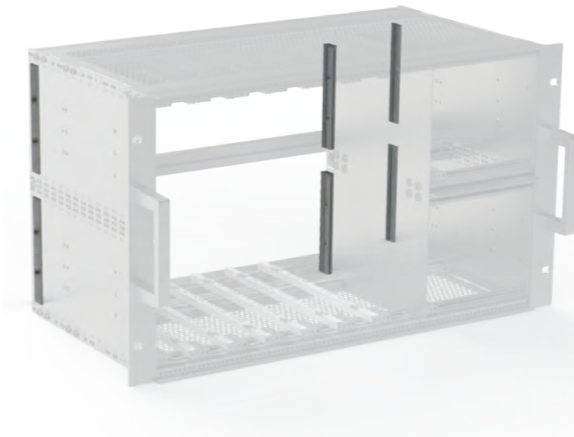


PCB board depth mm	U	Purchase code
160	1	0204.0801.0116
160	2	0204.0801.0216
160	3	0204.0801.0316
160	4	0204.0801.0416
160	5	0204.0801.0516
160	6	0204.0801.0616
160	7	0204.0801.0716
160	9	0204.0801.0916
220	1	0204.0801.0122
220	2	0204.0801.0222
220	3	0204.0801.0322
220	4	0204.0801.0422
220	5	0204.0801.0522
220	6	0204.0801.0622
220	7	0204.0801.0722
220	9	0204.0801.0922

Aluminium25/10 - Conductive 650 Surtec

Upon request further depth for nominal board: 280 - 340 - 400

Finger support kit



N° Pieces	Purchase code
3	0204-1800-03
6	0204-1800-06
9	0204-1800-09

Extruded aluminium - Conductive 650 Surtec

Rear finishing profiles



U	Purchase code
3	0204.1001.03
6	0204.1001.06
9	0204.1001.09

Extruded aluminium - Conductive 650 Surtec

Back protector hoods



Width TE	U	Purchase code
42	3	0204.1201.0342
60	3	0204.1201.0360
84	3	0204.1201.0384
42	6	0204.1201.0642
60	6	0204.1201.0660
84	6	0204.1201.0684
42	9	0204.1201.0942
60	9	0204.1201.0960
84	9	0204.1201.0984

Aluminium 10/10 - Conductive 650 Surtec

Ventilated removable covers

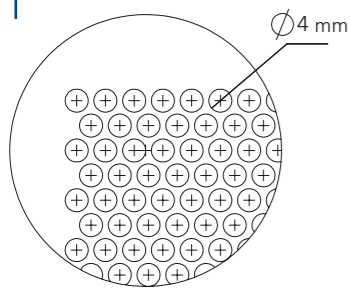


PCB board depth mm	TE	Purchase code Ø 4mm holes	Purchase code Ø 8mm holes	Purchase code honeycomb holes
160	42	0204.1107.1642	0204.1108.1642	0204.1110.1642
160	60	0204.1107.1660	0204.1108.1660	0204.1110.1660
160	84	0204.1107.1684	0204.1108.1684	0204.1110.1684
220	42	0204.1107.2242	0204.1108.2242	0204.1110.2242
220	60	0204.1107.2260	0204.1108.2260	0204.1110.2260
220	84	0204.1107.2284	0204.1108.2284	0204.1110.2284

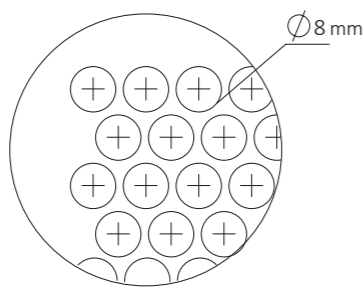
Aluminium 10/10 - Conductive 650 Surtec

Upon request additional depths from 250 mm to 450 mm

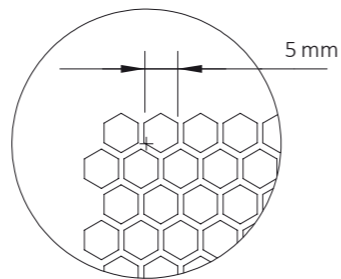
DETAIL FOR GRID HOLES Ø 4mm



DETAIL FOR GRID HOLES Ø 8mm



DETAIL FOR GRID HONEYCOMB HOLES



Internal not removable ventilated covers

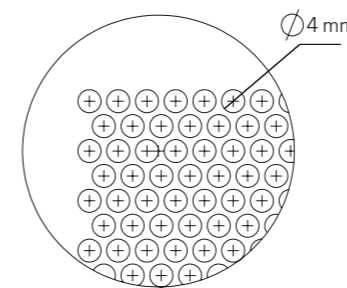


PCB board depth mm	TE	Purchase code
160	42	0204.1104.1642
160	60	0204.1104.1660
160	84	0204.1104.1684
220	42	0204.1104.2242
220	60	0204.1104.2260
220	84	0204.1104.2284

Aluminium 10/10 pre-drilled holes Ø 4mm - Conductive 650 Surtec

Upon request additional depths from 250 mm to 450 mm

DETAIL FOR GRID HOLES Ø 4mm



Removable blank covers



PCB board depth mm	TE	Purchase code
160	42	0204.1109.1642
160	60	0204.1109.1660
160	84	0204.1109.1684
220	42	0204.1109.2242
220	60	0204.1109.2260
220	84	0204.1109.2284

Aluminium 10/10 - Conductive 650 Surtec

Upon request additional depths from 250 mm to 450 mm

Internal not removable blank covers



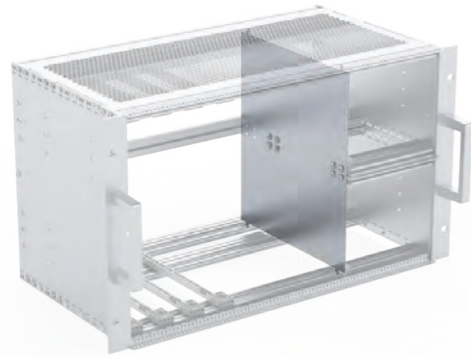
PCB board depth mm	TE	Purchase code
160	42	0204.1106.1642
160	60	0204.1106.1660
160	84	0204.1106.1684
220	42	0204.1106.2242
220	60	0204.1106.2260
220	84	0204.1106.2284

Aluminium 10/10 - Conductive 650 Surtec

Upon request additional depths from 250 mm to 450 mm

SUBRACK RAIL PLUS COMPONENTS AND ACCESSORIES

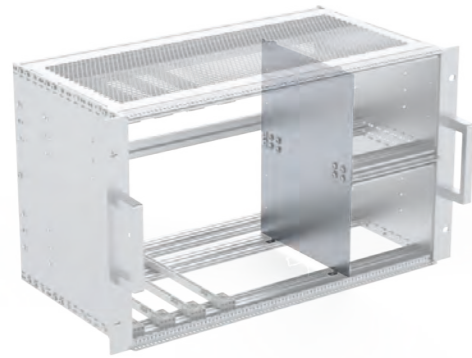
Slot mounted separating walls



PCB board depth mm	U	Purchase code
160	6	0204.1403.0616
160	9	0204.1403.0916
220	6	0204.1403.0622
220	9	0204.1403.0922

Mangelis 10/10

Screw mounted separating walls



PCB board depth mm	U	Purchase code
160	6	0204.1404.0616
160	9	0204.1404.0916
220	6	0204.1404.0622
220	9	0204.1404.0922

Mangelis 10/10

Blank base plants



PCB board depth mm	TE	Purchase code
160	42	0204.1301.1642
160	60	0204.1301.1660
160	84	0204.1301.1684
220	42	0204.1301.2242
220	60	0204.1301.2260
220	84	0204.1301.2284

Aluminium15/10 - Conductive 650 Surtec

Upon request additional depths from 250 mm to 450 mm

Ventilated base plants

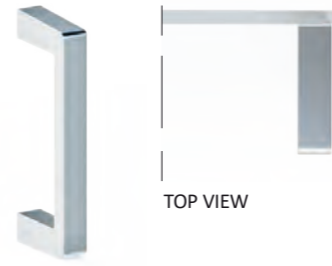


PCB board depth mm	TE	Purchase code
160	42	0204.1302.1642
160	60	0204.1302.1660
160	84	0204.1302.1684
220	42	0204.1302.2242
220	60	0204.1302.2260
220	84	0204.1302.2284

Aluminium15/10 - Conductive 650 Surtec

Upon request additional depths from 250 mm to 450 mm

Extruded handles



U	Hole type	Handle thickness mm	Wheelbase mm	Purchase code
2	M4	12	45	0505.0701.0212
3-5	M4	12	88	0505.0701.0312
4-6-9	M4	12	133.4	0505.0701.0412

Extruded aluminium EN AW 6060 T6 - Anodized

Use with flanges

The code refers to the single handle

Upon request M5

SEE PG.206 PG.207

Extruded handles inclined 10°



U	Hole type	Handle thickness mm	Wheelbase mm	Purchase code
3-5	M4	12	88	0505.0703.0312
4-6-9	M4	12	133.4	0505.0703.0412

Extruded aluminium EN AW 6060 T6 - Anodized

Use with flanges

The code refers to the single handle

Upon request M5

SEE PG.206 PG.207

Round handles



U	Hole type	Ø handle mm	Wheelbase mm	Purchase code
3-5	M4	8	88	0505.0704.0308
4-6-9	M4	8	133.4	0505.0704.0408

Aluminium

Use with flanges

The code refers to the single handle

SEE PG.206 PG.207

Round handles (Stainless steel)



U	Hole type	Ø handle mm	Wheelbase mm	Purchase code
3-5	M4	8	88	0505.0711.0308
4-6-9	M4	8	133.4	0505.0711.0408

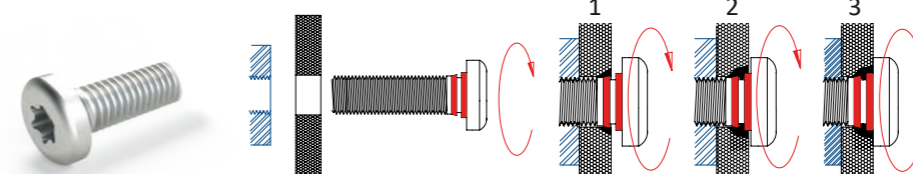
Stainless steel

Use with flanges

The code refers to the single handle

SEE PG.206 PG.207

Rail Plus Sub rack Torx head screw



Type	Purchase code
M4x12	1000.1120.0412

Galvanized steel

Rail Plus Sub rack Torx head screw



Type	Purchase code
M4x12	1000.1112.0412

Galvanized steel

Hex wrench for headless screws



Type	Purchase code
M2,5	1000.2100.25
M3	1000.2100.03

For headless screw

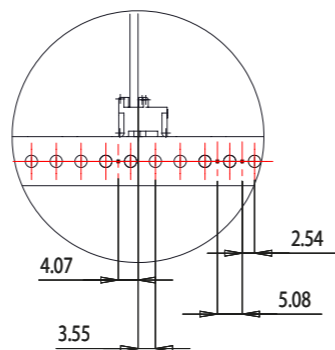
SEE PG.205

PCB CARD GUIDES

The PCB card guides are used to install the printed circuit boards on the frame and its subassemblies and are fixed through holes to the frame's profiles.

The slot width varies from 2 to 2.5 mm. Conductive and non-conductive vibration dampers as well as expansion fastening pins are available as options.

The PCB card guides are available in different configurations: offset, reinforced and IEEE. Their length may vary from 160 to 220 mm.



Front View: Guides Positioning

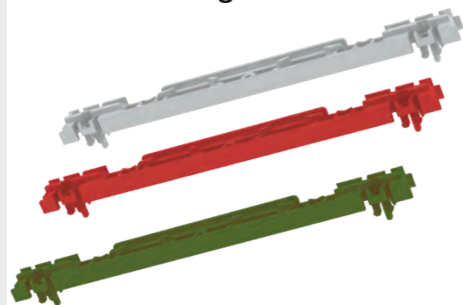
Aluminium PCB board guides



PCB board depth mm	PCB Board slot mm	Purchase code
100	2,5	0505.0204.10
120	2,5	0505.0204.12
140	2,5	0505.0204.14
160	2,5	0505.0204.16
180	2,5	0505.0204.18
200	2,5	0505.0204.20
220	2,5	0505.0204.22
240	2,5	0505.0204.24
260	2,5	0505.0204.26
280	2,5	0505.0204.28

Extruded aluminium EN AW 6060 T6 - Painted RAL 9005

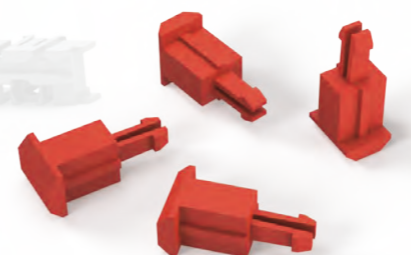
PCB Board guide



PCB board depth mm	PCB Board slot mm	Purchase code grey	Purchase code red	Purchase code green
160	2	0505.0201.16	0505.0201.1602	0505.0201.1603
220	2	0505.0201.22	0505.0201.2202	-
160	2,5	0505.0206.16	0505.0206.1602	-
220	2,5	0505.0206.22	0505.0206.2202	-

Polycarbonate PC UL 94 V-0 Temperature -40 ° C to + 115 ° C

Encoding pin

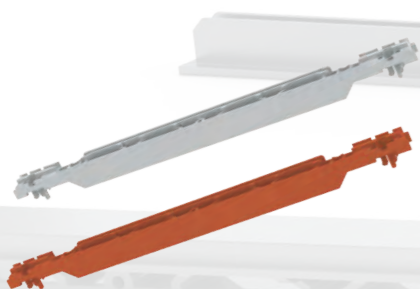


Purchase code
0505.1201

Nylon PA66 + 30 % FV

The code refers to the single pin

Reinforced PCB Board guides



PCB board depth mm	PCB Board slot mm	Purchase code grey	Purchase code red
220	2	0505.0203.22	0505.0203.2202
220	2,5	0505.0208.22	0505.0208.2202

Polycarbonate PC UL 94 V-0 Temperature -40 ° C to + 115 ° C

Encoding mask



Purchase code
0505.1203

Nylon PA66 + 30 % FV

Offset PCB Board guide



PCB board depth mm	PCB Board slot mm	Purchase code
220	2	0505.0210.22
220	2,5	0505.0211.22

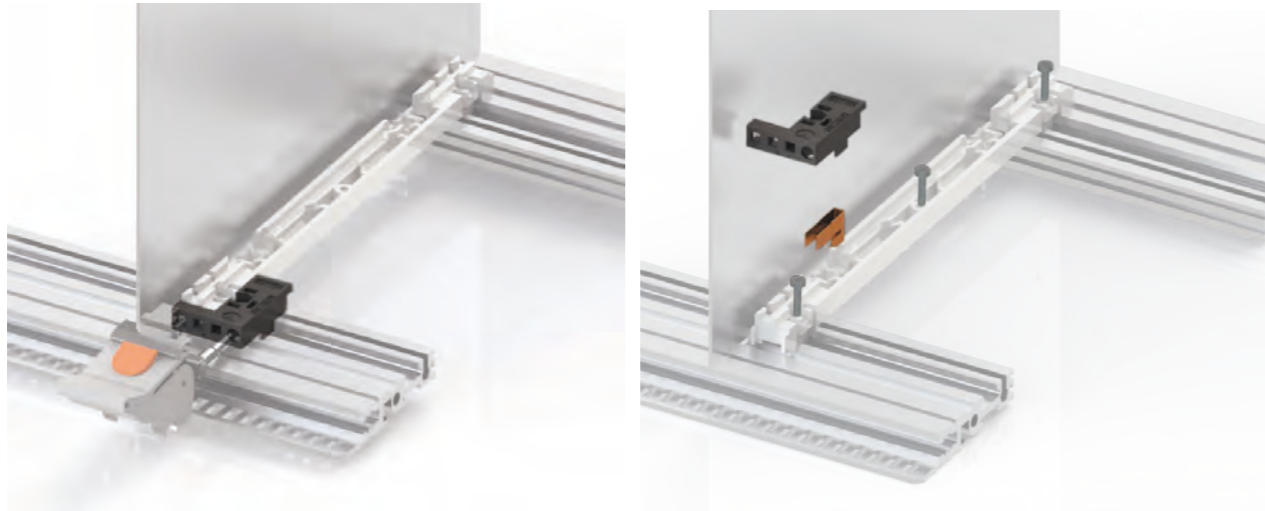
Polycarbonate PC UL 94 V-0 - Colour Green - Temperature -40°C to +115°C

Encoding combs



Measure mm	Purchase code
6	0505.1202.03
4,2	0505.1202.04
3,46	0505.1202.06

Nylon PA66 + 30 % FV



Encoding kit



Colour	Purchase code
black	0505-4118-01
red	0505-4118-0102
green	0505-4118-0103

Polycarbonate PC UL 94 V-0 Temperature -40 ° C to + 115 ° C

IEEE Contact spring

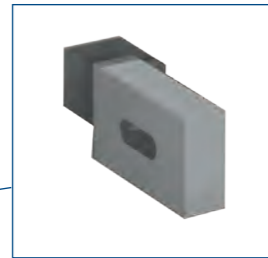
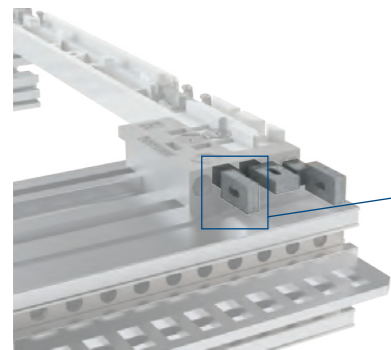


Purchase code
0505.3904

Bronze

Contact spring for encoding kit

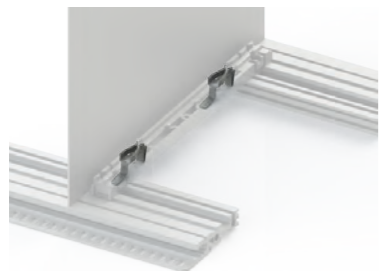
Encoding pin



Purchase code
0505.1201.02

Polycarbonate PC UL 94 V 0
Temperature -40°C to +115°C

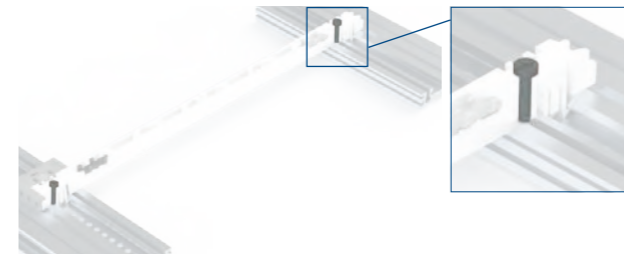
PCB Board contact spring



Purchase code
0505.6403

Nickel-plated bronze

PB Board fixing pins



Purchase code
0505.8001

Plastic PBT UL 94 V 0 - Colour black - Temperature -40°C to +115°C

The pin is used as an alternative to the fixing screw

PATENT NUMBER: BR16623

PB Board fixing screws - M2,5 x12



Head type	Material	Purchase code
Torx	Steel 8.8	1000.0112.2512
Phillips	Steel 8.8	1000.0104.2512
Phillips	Stainless steel	1000.1104.2512

Steel 8.8 - Stainless steel

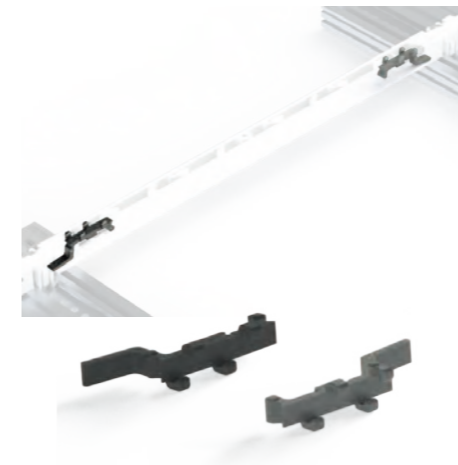
Extractor



Purchase code
0505.4001.03

Nylon PA66 + 30 % FV

Antivibration



Colour	Conductive	PCB Board thickness mm	Material	Purchase code
Grey	Non-conductive	2	PC	0505.6401.16
Black	Non-conductive	2,5	PC	0505.6401.20
Black	Conductive	2	Denistat Y 30C 02 Resistance 5 Ohm	0505.6402.16
Black	Conductive	2,5	Denistat Y 30C 02 Resistance 5 Ohm	0505.6402.20

The code includes front and rear anti-vibrations

PCB Board lead-in



Purchase code
0505.3903

Polycarbonate PC UL 94 V 0
Colour grey
Temperature -40°C to +115°C

The code includes top and bottom PCB Board lead-in

COLOURS

The choice of colors in some of the accessories will increase the recognition and customization of the product making it unique.

MECHANICAL CUSTOMIZATION:

Thanks to modern machining technology, it is possible to customize every single piece, thus allowing the elimination of additional working and reducing delivery time.

SERIES CUSTOMIZATION:

In case of high volumes, the customization procedures will be optimized, reducing costs and timing by transforming the custom product into a standard one.

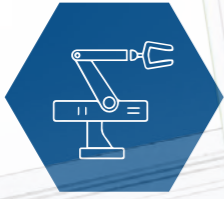
SERIGRAPHY:

In addition to the possibility of different colors of the outside structure, all internal components, such as the front panels, can be customized with serigraphic printing that allows to utilize a wide range of bright colours, texts, images or logos.

FINISHING:

The most widely used material is aluminium, for which we have several surface treatments such as:
SURTEC 650: a liquid process that provides the substrate with high corrosion protection: 336 h in simple saline mist and 150 h in acetic saline mist.
ANODIZATION: a non-spontaneous electrochemical process by which a protective layer is formed on the surface of the treated metal and protects it from corrosion.





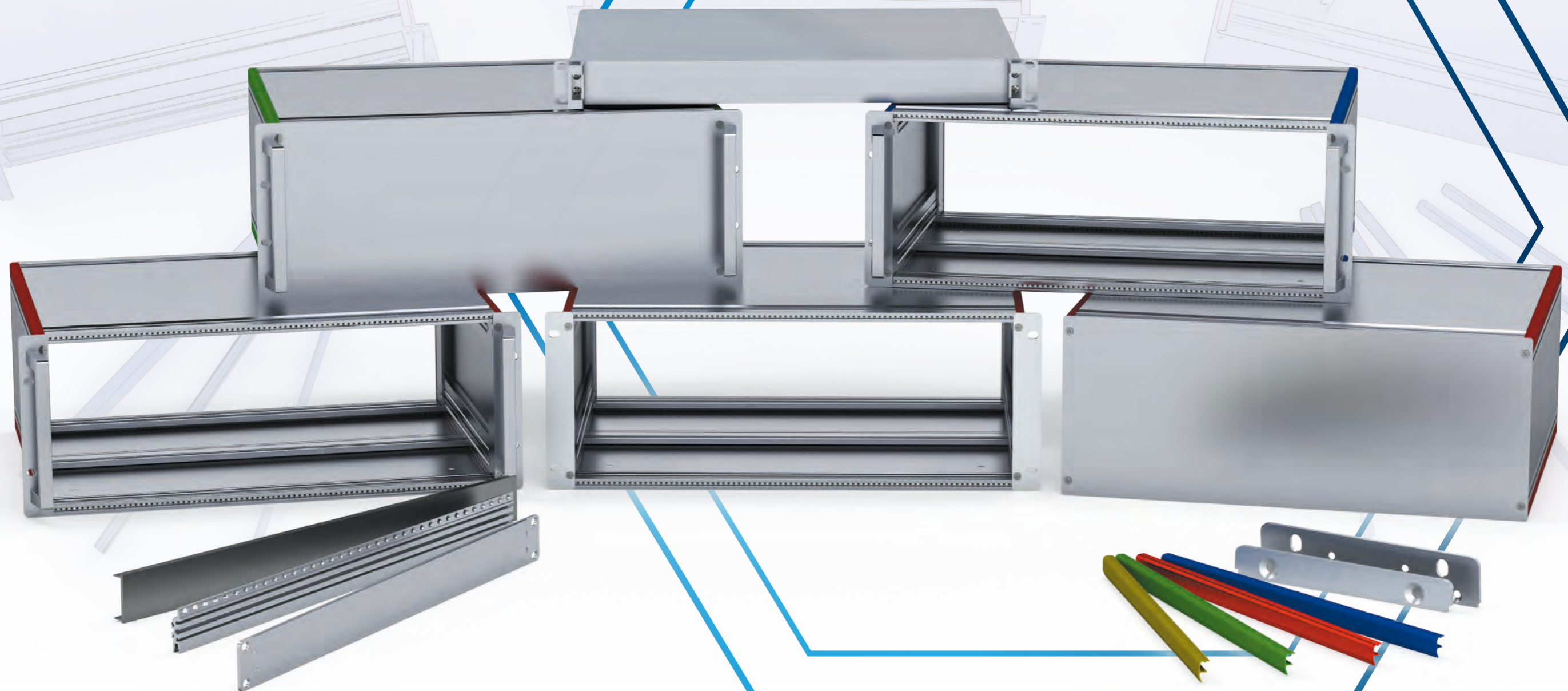
Enclosures for Eurocard PCB cards and instrumentation. Available in two versions, for 19" rack applications according to IEC 60297 - DIN 41494 specifications, or for table applications.

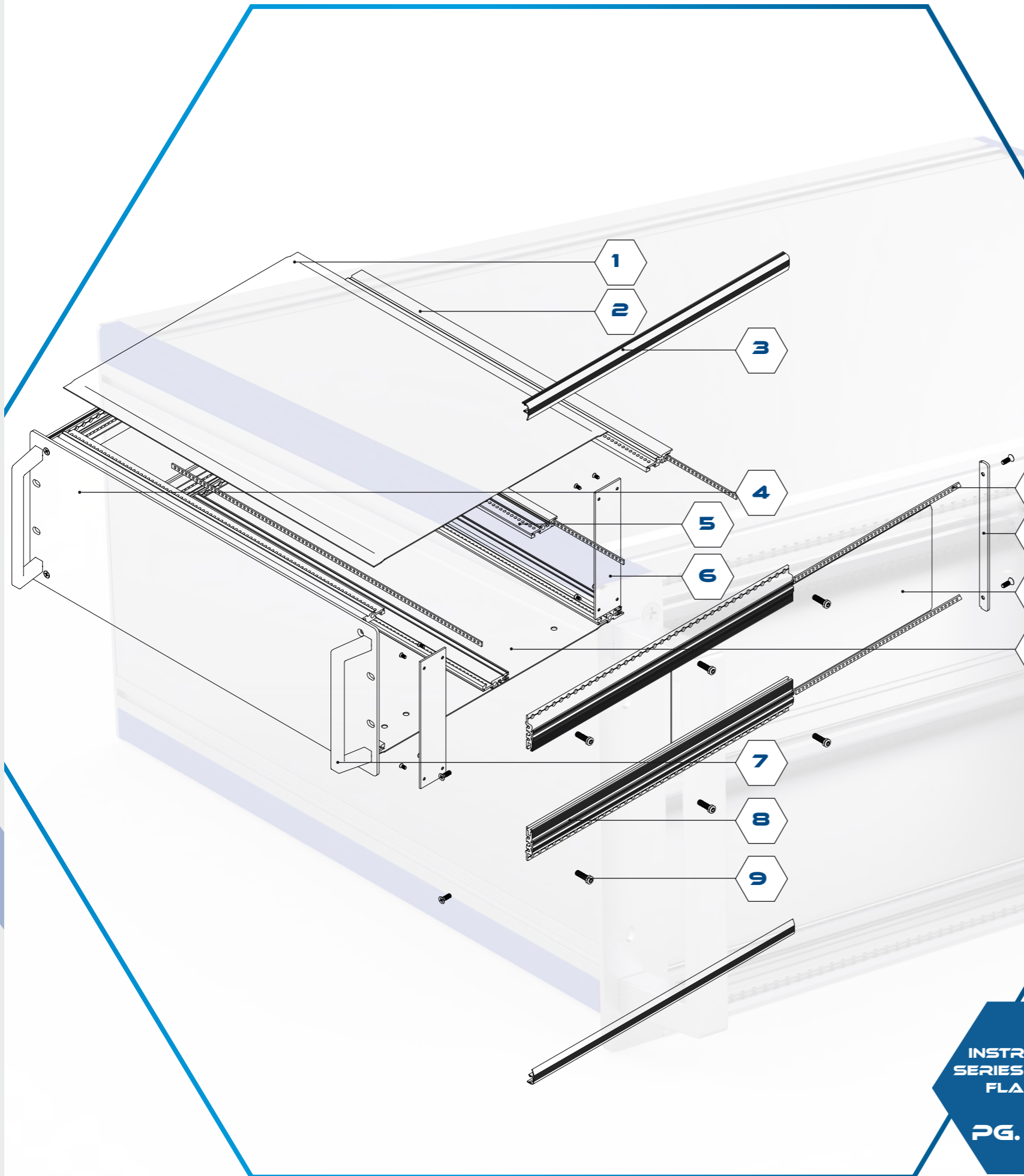
They are composed of Executive series profiles and 4 anodized profiles and are available in five different colours that complete the enclosure's design.

They are used for measuring and laboratory instruments where aesthetic appeal is also required.

The main standard types are:

- Instrument series with flanges.
- Instrument series with flanges and handles.
- Instrument series with front panel.
- Instrument series with front panel and handles.





- 1 Covers PG. 240
- 2 Rear profiles PG. 231
- 3 Finishing profiles PG. 230
- 4 Front panels PG. 234
- 5 Rear profiles PG. 231
- 6 Inner support plates PG. 236
- 7 Handles subrack PG. 242
- 8 Inside profile PG. 232
- 9 Screws PG. 243
- 10 Threaded strips PG. 232
- 11 Finishing profile PG. 237
- 12 Side panels PG. 238
- 13 Base plates PG. 241
- 14 PCB Board guides and accessories PG. 244

STANDARD CATEGORIES:

INSTRUMENT
SERIES WITH 19"
FLANGES

PG. 222

INSTRUMENT
SERIES WITH 19"
FLANGES AND
HANDLES

PG. 224

INSTRUMENT
SERIES WITH
FRONT PANEL

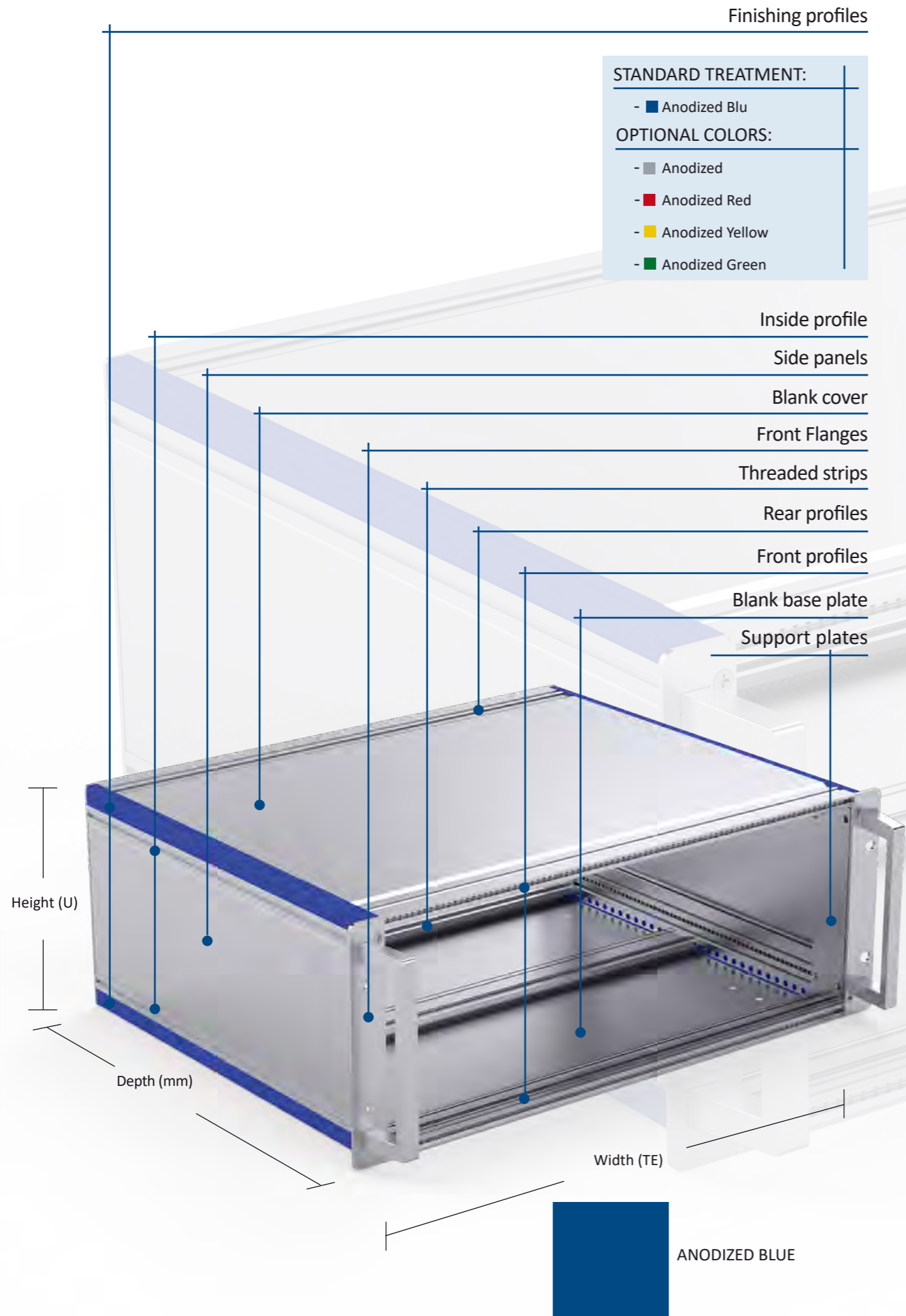
PG. 226

INSTRUMENT
SERIE WITH
FRONT PANLE
AND HANDLES

PG. 228

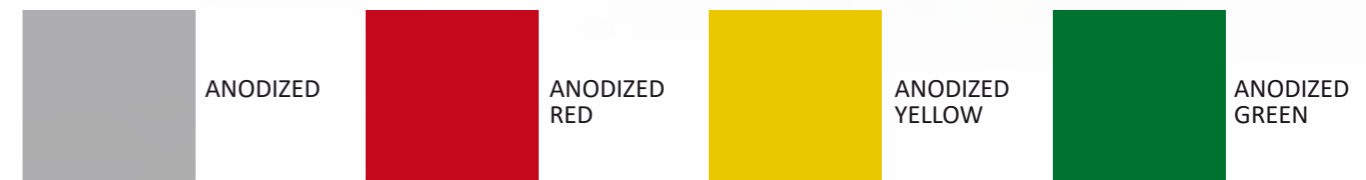
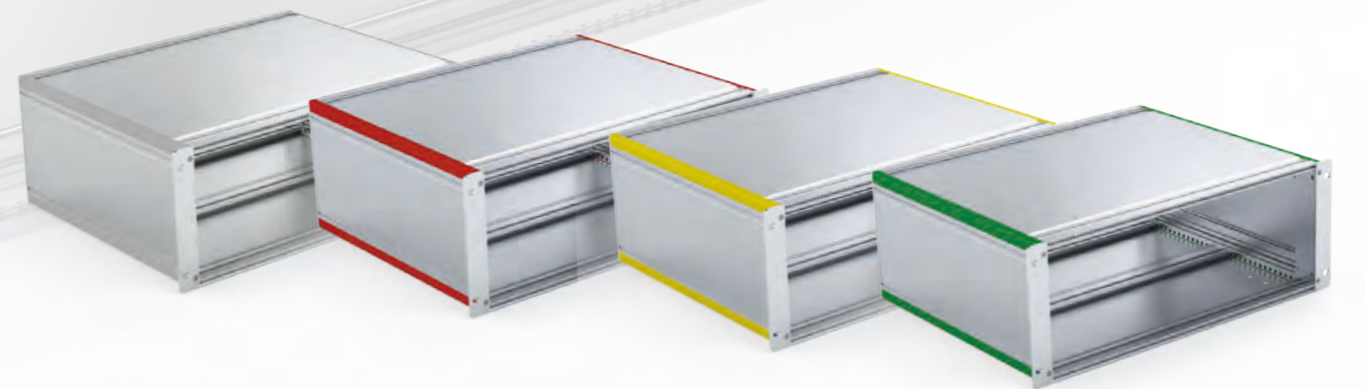
INSTRUMENT SERIES WITH 19" FLANGES

Instrument series with 19" flanges



Height in U	Depth mm	Purchase code		
		42 TE Width	60 TE Width	84 TE Width
2	200	0909-0102-4220	0909-0102-6020	0909-0102-8420
2	240	0909-0102-4224	0909-0102-6024	0909-0102-8424
2	300	0909-0102-4230	0909-0102-6030	0909-0102-8430
2	370	0909-0102-4237	0909-0102-6037	0909-0102-8437
2	400	0909-0102-4240	0909-0102-6040	0909-0102-8440
3	200	0909-0103-4220	0909-0103-6020	0909-0103-8420
3	240	0909-0103-4224	0909-0103-6024	0909-0103-8424
3	300	0909-0103-4230	0909-0103-6030	0909-0103-8430
3	370	0909-0103-4237	0909-0103-6037	0909-0103-8437
3	400	0909-0103-4240	0909-0103-6040	0909-0103-8440
4	200	0909-0104-4220	0909-0104-6020	0909-0104-8420
4	240	0909-0104-4224	0909-0104-6024	0909-0104-8424
4	300	0909-0104-4230	0909-0104-6030	0909-0104-8430
4	370	0909-0104-4237	0909-0104-6037	0909-0104-8437
4	400	0909-0104-4240	0909-0104-6040	0909-0104-8440
5	200	0909-0105-4220	0909-0105-6020	0909-0105-8420
5	240	0909-0105-4224	0909-0105-6024	0909-0105-8424
5	300	0909-0105-4230	0909-0105-6030	0909-0105-8430
5	370	0909-0105-4237	0909-0105-6037	0909-0105-8437
5	400	0909-0105-4240	0909-0105-6040	0909-0105-8440
6	200	0909-0106-4220	0909-0106-6020	0909-0106-8420
6	240	0909-0106-4224	0909-0106-6024	0909-0106-8424
6	300	0909-0106-4230	0909-0106-6030	0909-0106-8430
6	370	0909-0106-4237	0909-0106-6037	0909-0106-8437
6	400	0909-0106-4240	0909-0106-6040	0909-0106-8440

Support plates, inside profiles and threaded strips not included



Finishing profiles

- STANDARD TREATMENT:**
- ■ Anodized Blu
- OPTIONAL COLORS:**
- ■ Anodized
 - ■ Anodized Red
 - ■ Anodized Yellow
 - ■ Anodized Green

Inside profile

Side panels

Blank cover

Flanges with handle holes

Extruded handles

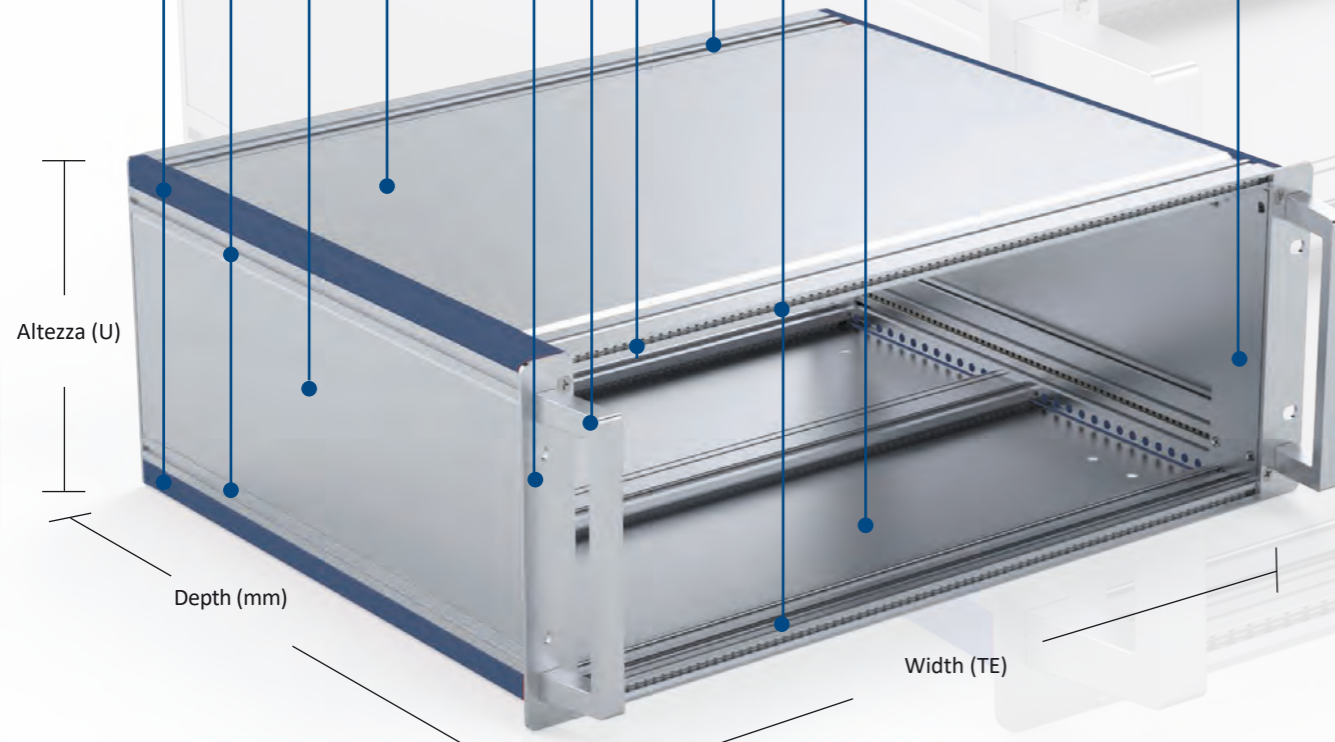
Threaded strips

Rear profiles

Front profiles

Blank base plate

Support plates



Height in U	Depth mm	Purchase code		
		42 TE Width	60 TE Width	84 TE Width
2	200	0909-0202-4220	0909-0202-6020	0909-0202-8420
2	240	0909-0202-4224	0909-0202-6024	0909-0202-8424
2	300	0909-0202-4230	0909-0202-6030	0909-0202-8430
2	370	0909-0202-4237	0909-0202-6037	0909-0202-8437
2	400	0909-0202-4240	0909-0202-6040	0909-0202-8440
3	200	0909-0203-4220	0909-0203-6020	0909-0203-8420
3	240	0909-0203-4224	0909-0203-6024	0909-0203-8424
3	300	0909-0203-4230	0909-0203-6030	0909-0203-8430
3	370	0909-0203-4237	0909-0203-6037	0909-0203-8437
3	400	0909-0203-4240	0909-0203-6040	0909-0203-8440
4	200	0909-0204-4220	0909-0204-6020	0909-0204-8420
4	240	0909-0204-4224	0909-0204-6024	0909-0204-8424
4	300	0909-0204-4230	0909-0204-6030	0909-0204-8430
4	370	0909-0204-4237	0909-0204-6037	0909-0204-8437
4	400	0909-0204-4240	0909-0204-6040	0909-0204-8440
5	200	0909-0205-4220	0909-0205-6020	0909-0205-8420
5	240	0909-0205-4224	0909-0205-6024	0909-0205-8424
5	300	0909-0205-4230	0909-0205-6030	0909-0205-8430
5	370	0909-0205-4237	0909-0205-6037	0909-0205-8437
5	400	0909-0205-4240	0909-0205-6040	0909-0205-8440
6	200	0909-0206-4220	0909-0206-6020	0909-0206-8420
6	240	0909-0206-4224	0909-0206-6024	0909-0206-8424
6	300	0909-0206-4230	0909-0206-6030	0909-0206-8430
6	370	0909-0206-4237	0909-0206-6037	0909-0206-8437
6	400	0909-0206-4240	0909-0206-6040	0909-0206-8440

Support plates, inside profiles and threaded strips not included



Finishing profiles

- STANDARD TREATMENT:**
- Anodized Blu
- OPTIONAL COLORS:**
- Anodized
 - Anodized Red
 - Anodized Yellow
 - Anodized Green

Inside profile

Side panels

Blank cover

Blank rear/front panel

Rear profiles

Front profiles

Height (U)

Depth (mm)

Width (TE)



ANODIZED BLUE



ANODIZED



ANODIZED RED



ANODIZED YELLOW



ANODIZED GREEN

Height in U	Depth mm	Purchase code		
		42 TE Width	60 TE Width	84 TE Width
2	200	0909-0302-4220	0909-0302-6020	0909-0302-8420
2	240	0909-0302-4224	0909-0302-6024	0909-0302-8424
2	300	0909-0302-4230	0909-0302-6030	0909-0302-8430
2	370	0909-0302-4237	0909-0302-6037	0909-0302-8437
2	400	0909-0302-4240	0909-0302-6040	0909-0302-8440
3	200	0909-0303-4220	0909-0303-6020	0909-0303-8420
3	240	0909-0303-4224	0909-0303-6024	0909-0303-8424
3	300	0909-0303-4230	0909-0303-6030	0909-0303-8430
3	370	0909-0303-4237	0909-0303-6037	0909-0303-8437
3	400	0909-0303-4240	0909-0303-6040	0909-0303-8440
4	200	0909-0304-4220	0909-0304-6020	0909-0304-8420
4	240	0909-0304-4224	0909-0304-6024	0909-0304-8424
4	300	0909-0304-4230	0909-0304-6030	0909-0304-8430
4	370	0909-0304-4237	0909-0304-6037	0909-0304-8437
4	400	0909-0304-4240	0909-0304-6040	0909-0304-8440
5	200	0909-0305-4220	0909-0305-6020	0909-0305-8420
5	240	0909-0305-4224	0909-0305-6024	0909-0305-8424
5	300	0909-0305-4230	0909-0305-6030	0909-0305-8430
5	370	0909-0305-4237	0909-0305-6037	0909-0305-8437
5	400	0909-0305-4240	0909-0305-6040	0909-0305-8440
6	200	0909-0306-4220	0909-0306-6020	0909-0306-8420
6	240	0909-0306-4224	0909-0306-6024	0909-0306-8424
6	300	0909-0306-4230	0909-0306-6030	0909-0306-8430
6	370	0909-0306-4237	0909-0306-6037	0909-0306-8437
6	400	0909-0306-4240	0909-0306-6040	0909-0306-8440

INSTRUMENT SERIE WITH FRONT PANEL AND HANDLES

Finishing profiles

- STANDARD TREATMENT:**
- ■ Anodized Blu
- OPTIONAL COLORS:**
- ■ Anodized
 - ■ Anodized Red
 - ■ Anodized Yellow
 - ■ Anodized Green

Inside profile

Side panels

Blank cover

Flange

Handles

Rear profiles

Front panel with handle holes

Front profiles

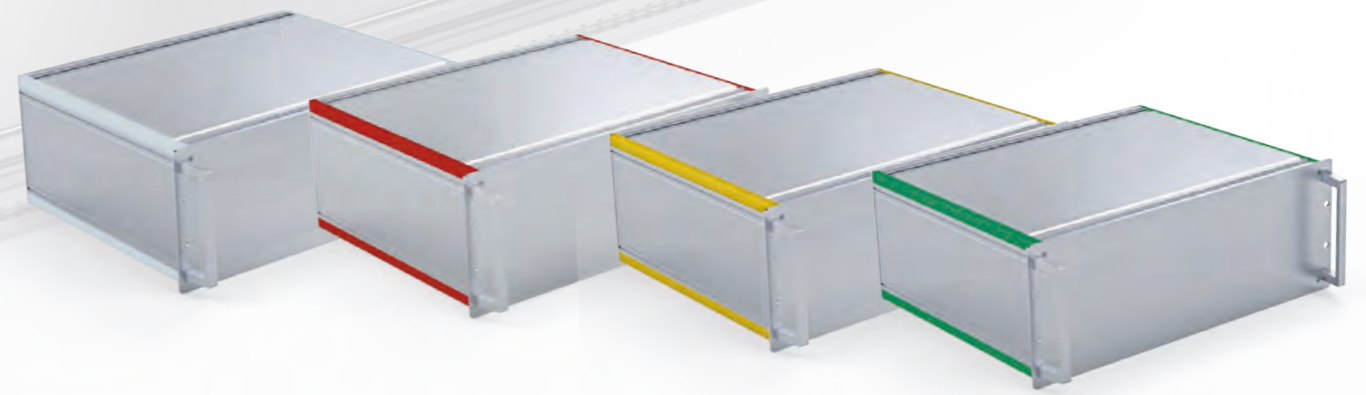
Height (U)

Depth (mm)

Width (TE)

Instrument series with front panel and handles

Height in U	Depth mm	Purchase code		
		42 TE Width	60 TE Width	84 TE Width
2	200	0909-0402-4220	0909-0402-6020	0909-0402-8420
2	240	0909-0402-4224	0909-0402-6024	0909-0402-8424
2	300	0909-0402-4230	0909-0402-6030	0909-0402-8430
2	370	0909-0402-4237	0909-0402-6037	0909-0402-8437
2	400	0909-0402-4240	0909-0402-6040	0909-0402-8440
3	200	0909-0403-4220	0909-0403-6020	0909-0403-8420
3	240	0909-0403-4224	0909-0403-6024	0909-0403-8424
3	300	0909-0403-4230	0909-0403-6030	0909-0403-8430
3	370	0909-0403-4237	0909-0403-6037	0909-0403-8437
3	400	0909-0403-4240	0909-0403-6040	0909-0403-8440
4	200	0909-0404-4220	0909-0404-6020	0909-0404-8420
4	240	0909-0404-4224	0909-0404-6024	0909-0404-8424
4	300	0909-0404-4230	0909-0404-6030	0909-0404-8430
4	370	0909-0404-4237	0909-0404-6037	0909-0404-8437
4	400	0909-0404-4240	0909-0404-6040	0909-0404-8440
5	200	0909-0405-4220	0909-0405-6020	0909-0405-8420
5	240	0909-0405-4224	0909-0405-6024	0909-0405-8424
5	300	0909-0405-4230	0909-0405-6030	0909-0405-8430
5	370	0909-0405-4237	0909-0405-6037	0909-0405-8437
5	400	0909-0405-4240	0909-0405-6040	0909-0405-8440
6	200	0909-0406-4220	0909-0406-6020	0909-0406-8420
6	240	0909-0406-4224	0909-0406-6024	0909-0406-8424
6	300	0909-0406-4230	0909-0406-6030	0909-0406-8430
6	370	0909-0406-4237	0909-0406-6037	0909-0406-8437
6	400	0909-0406-4240	0909-0406-6040	0909-0406-8440



ANODIZED BLUE



ANODIZED



ANODIZED RED



ANODIZED YELLOW



ANODIZED GREEN

INTRUMENT SERIE COMPONENTS AND ACCESSORIES

Finishing profiles

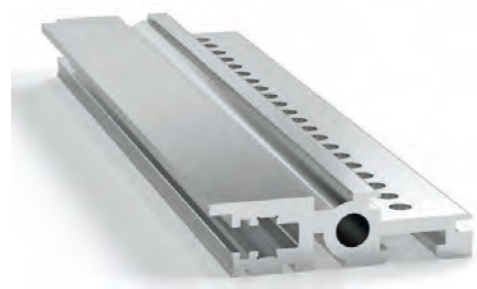


Depth mm	Anodized blu	Anodized	Anodized red	Anodized yellow	Anodized green
200	0909.0201.20	0909.0203.20	0909.0202.20	0909.0204.20	0909.0205.20
240	0909.0201.24	0909.0203.24	0909.0202.24	0909.0204.24	0909.0205.24
300	0909.0201.30	0909.0203.30	0909.0202.30	0909.0204.30	0909.0205.30
370	0909.0201.37	0909.0203.37	0909.0202.37	0909.0204.37	0909.0205.37
400	0909.0201.40	0909.0203.40	0909.0202.40	0909.0204.40	0909.0205.40

Extruded aluminium EN AW 6060 T6 - anodized blu



Front profiles

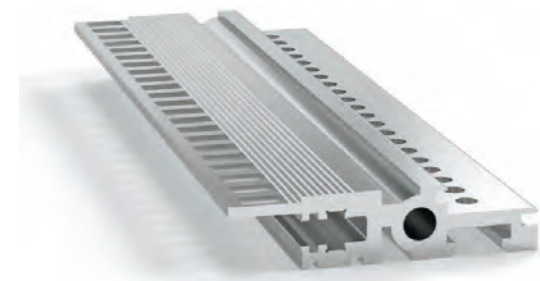


Width TE	Purchase code
42	0202.0103.42
60	0202.0103.60
84	0202.0103.84

Extruded aluminium EN AW 6060 T6 - Conductive 650 Surtec

▶▶▶ Torx head M 5 screw SEE PG.243

CPCI Front profiles



Width TE	Purchase code
42	0202.1602.42
60	0202.1602.60
84	0202.1602.84

Extruded aluminium EN AW 6060 T6 - Conductive 650 Surtec

▶▶▶ Torx head M 5 screw SEE PG.243

Rear profiles



Width TE	Purchase code
42	0202.0401.42
60	0202.0401.60
84	0202.0401.84

Extruded aluminium EN AW 6060 T6 - Conductive 650 Surtec

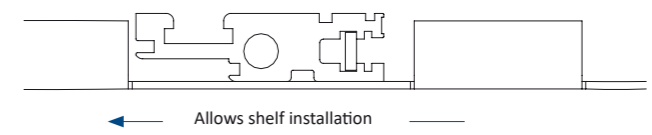
▶▶▶ Torx head M 5 screw SEE PG.243

Lower shortened profiles



Width TE	Purchase code
42	0202.1801.42
60	0202.1801.60
84	0202.1801.84

Extruded aluminium EN AW 6060 T6 - Conductive 650 Surtec



▶▶▶ Torx head M 5 screw SEE PG.243

▶▶▶ Insulation strips are required for use SEE PG.233

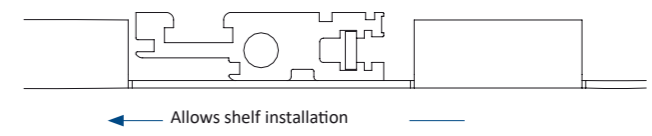
Rear median profiles



Width TE	Purchase code
42	0202.0601.42
60	0202.0601.60
84	0202.0601.84

Extruded aluminium EN AW 6060 T6 - Conductive 650 Surtec

▶▶▶ Torx head M 5 screw SEE PG.243



Inside profile



Depth mm	Purchase code
200	0909.0101.20
240	0909.0101.24
300	0909.0101.30
370	0909.0101.37
400	0909.0101.40

Extruded aluminium EN AW 6060 T6 - anodized

Stainless steel threaded strips 2,5



Threaded holes	TE	Purchase code
M2,5	3	0505.0105.0302
M2,5	35	0505.0105.3502
M2,5	45	0505.0105.4502
M2,5	55	0505.0105.5502
M2,5	70	0505.0105.7002
M2,5	75	0505.0105.7502

Stainless steel M2,5 5 x 1,5 mm

Headless Screw: M2.5-M3 SEE PG.243



Brass M3 threaded strips

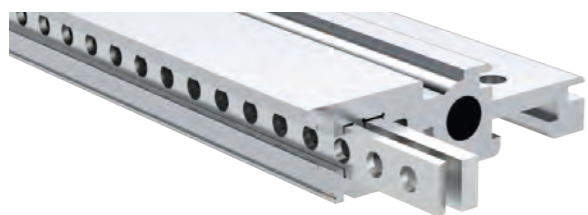


Width TE	Purchase code
42	0505.0106.4203
60	0505.0106.6003
84	0505.0106.8403

M3 5 x 2 mm Brass

M2.5 Headless Screw SEE PG.243

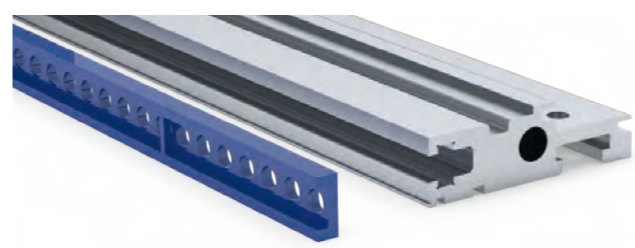
Screw guide strips



Width TE	Purchase code
42	0505.0104.42
60	0505.0104.60
84	0505.0104.84

Aluminium 5x1mm \varnothing 2,5

Non conducting strips

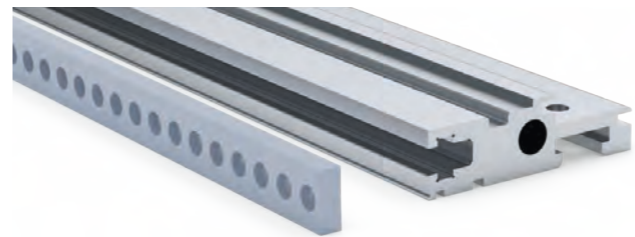


Width TE	Purchase code
42	0505.0103.42
60	0505.0103.60
84	0505.0103.84

PC V-0 8 x 3 mm

Use with shortened profiles SEE PG.231

Spacer strips



Width TE	Purchase code
42	0505.0102.42
60	0505.0102.60
84	0505.0102.84

Aluminium 8 x 3 mm

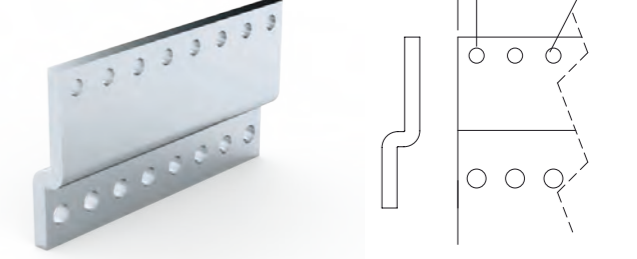
Use with shortened profiles SEE PG.231

"Z" bars type "A"



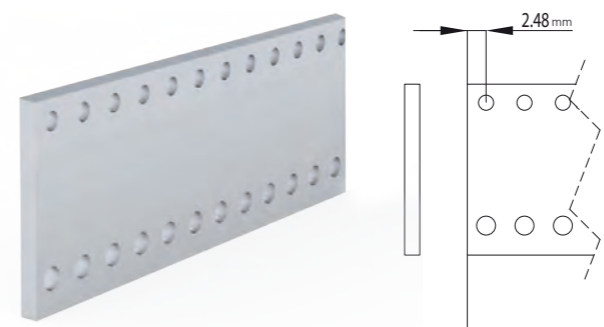
Width TE	Purchase code
42	0505.0901.42
60	0505.0901.60
84	0505.0901.84

Aluminium 20/10 Surtec 650



Use with shortened profiles SEE PG.231

Flat bars type "A"



Width TE	Purchase code
42	0505.0905.42
60	0505.0905.60
84	0505.0905.84

Aluminium 20/10 Surtec 650

Use with others profiles SEE PG.230 PG.231

Blank front panel with flange



Height in U	Purchase code		
	42 TE Width	60 TE Width	84 TE Width
2	0909.0501.0242	0909.0501.0260	0909.0501.0284
3	0909.0501.0342	0909.0501.0360	0909.0501.0384
4	0909.0501.0442	0909.0501.0460	0909.0501.0484
5	0909.0501.0542	0909.0501.0560	0909.0501.0584
6	0909.0501.0642	0909.0501.0660	0909.0501.0684

Aluminium 30/10 anodized

Blank front panel with flange and handle holes



Height in U	Purchase code		
	42 TE Width	60 TE Width	84 TE Width
2	0909.0502.0242	0909.0502.0260	0909.0502.0284
3	0909.0502.0342	0909.0502.0360	0909.0502.0384
4	0909.0502.0442	0909.0502.0460	0909.0502.0484
5	0909.0502.0542	0909.0502.0560	0909.0502.0584
6	0909.0502.0642	0909.0502.0660	0909.0502.0684

Aluminium 30/10 anodized

Front / Rear blank plates



Height in U	Purchase code		
	42 TE Width	60 TE Width	84 TE Width
2	0909.1101.0242	0909.1101.0260	0909.1101.0284
3	0909.1101.0342	0909.1101.0360	0909.1101.0384
4	0909.1101.0442	0909.1101.0460	0909.1101.0484
5	0909.1101.0542	0909.1101.0560	0909.1101.0584
6	0909.1101.0642	0909.1101.0660	0909.1101.0684

Aluminium 30/10 anodized

Front flanges



U	Purchase code
2	0909.0901.02
3	0909.0901.03
4	0909.0901.04
5	0909.0901.05
6	0909.0901.06

Aluminium 30/10 - anodized

Front flanges with handle holes



U	Purchase code
2	0909.0902.02
3	0909.0902.03
4	0909.0902.04
5	0909.0902.05
6	0909.0902.06

Aluminium 30/10 - anodized

Handles provided separately

SEE PG.242

Inner components support plates



Height in U	Depth mm	Purchase code
2	35	0909.0401.0207
2	76	0909.0401.0215
2	177	0909.0401.0235
2	228	0909.0401.0245
2	279	0909.0401.0255
2	350	0909.0401.0270
2	381	0909.0401.0275
3	35	0909.0401.0307
3	76	0909.0401.0315
3	177	0909.0401.0335
3	228	0909.0401.0345
3	279	0909.0401.0355
3	350	0909.0401.0370
3	381	0909.0401.0375
4	35	0909.0401.0407
4	76	0909.0401.0415
4	177	0909.0401.0435
4	228	0909.0401.0445
4	279	0909.0401.0455
4	350	0909.0401.0470
4	381	0909.0401.0475
5	35	0909.0401.0507
5	76	0909.0401.0515
5	177	0909.0401.0535
5	228	0909.0401.0545
5	279	0909.0401.0555
5	350	0909.0401.0570
5	381	0909.0401.0575
6	35	0909.0401.0607
6	76	0909.0401.0615
6	177	0909.0401.0635
6	228	0909.0401.0645
6	279	0909.0401.0655
6	350	0909.0401.0670
6	381	0909.0401.0675

Aluminium 30/10 anodized

Finishing profile



U	Purchase code
2	0909.1001.02
3	0909.1001.03
4	0909.1001.04
5	0909.1001.05
6	0909.1001.06

Aluminium 30/10 - anodized

Finishing profiles with handle holes



U	Purchase code
2	0909.1002.02
3	0909.1002.03
4	0909.1002.04
5	0909.1002.05
6	0909.1002.06

Aluminium 25/10 - anodized

Handles provided separately

SEE PG.242

Blank base plate



Instrument depth	Purchase code 42 TE	Purchase code 60 TE	Purchase code 84 TE
200	0202.1301.1842	0202.1301.1860	0202.1301.1884
240	0202.1301.2242	0202.1301.2260	0202.1301.2284
300	0202.1301.2842	0202.1301.2860	0202.1301.2884
370	0202.1301.3542	0202.1301.3560	0202.1301.3584
400	0202.1301.3842	0202.1301.3860	0202.1301.3884

Aluminium 15/10 - Conductive 650 Surtec

Upon request additional depths from 250 mm to 450 mm

Ventilated base plate



Instrument depth	Purchase code 42 TE	Purchase code 60 TE	Purchase code 84 TE
200	0202.1302.1842	0202.1302.1860	0202.1302.1884
240	0202.1302.2242	0202.1302.2260	0202.1302.2284
300	0202.1302.2842	0202.1302.2860	0202.1302.2884
370	0202.1302.3542	0202.1302.3560	0202.1302.3584
400	0202.1302.3842	0202.1302.3860	0202.1302.3884

Aluminium 15/10 - Conductive 650 Surtec

Upon request additional depths from 250 mm to 450 mm

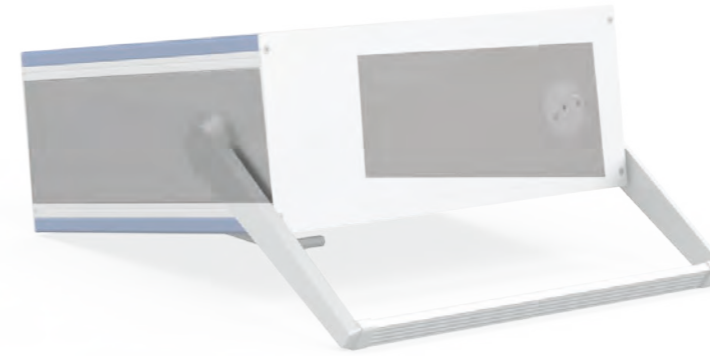
Blank side panels



Height in U	Depth mm	Purchase code
2	200	0909.0801.0220
2	240	0909.0801.0224
2	300	0909.0801.0230
2	370	0909.0801.0237
2	400	0909.0801.0240
3	200	0909.0801.0320
3	240	0909.0801.0324
3	300	0909.0801.0330
3	370	0909.0801.0337
3	400	0909.0801.0340
4	200	0909.0801.0420
4	240	0909.0801.0424
4	300	0909.0801.0430
4	370	0909.0801.0437
4	400	0909.0801.0440
5	200	0909.0801.0520
5	240	0909.0801.0524
5	300	0909.0801.0530
5	370	0909.0801.0537
5	400	0909.0801.0540
6	200	0909.0801.0620
6	240	0909.0801.0624
6	300	0909.0801.0630
6	370	0909.0801.0637
6	400	0909.0801.0640

Aluminium 10/10 anodized

Side handle panels



Height in U	Depth mm	Purchase code
2	200	0909.0802.0220
2	240	0909.0802.0224
2	300	0909.0802.0230
2	370	0909.0802.0237
2	400	0909.0802.0240
3	200	0909.0802.0320
3	240	0909.0802.0324
3	300	0909.0802.0330
3	370	0909.0802.0337
3	400	0909.0802.0340
4	200	0909.0802.0420
4	240	0909.0802.0424
4	300	0909.0802.0430
4	370	0909.0802.0437
4	400	0909.0802.0440
5	200	0909.0802.0520
5	240	0909.0802.0524
5	300	0909.0802.0530
5	370	0909.0802.0537
5	400	0909.0802.0540
6	200	0909.0802.0620
6	240	0909.0802.0624
6	300	0909.0802.0630
6	370	0909.0802.0637
6	400	0909.0802.0640

Aluminium 10/10 anodized

Handle provided separately

SEE
PG.242

Blank covers



Depth mm	Purchase code		
	42 TE Width	60 TE Width	84 TE Width
200	0909.0701.4220	0909.0701.6020	0909.0701.8420
240	0909.0701.4224	0909.0701.6024	0909.0701.8424
300	0909.0701.4230	0909.0701.6030	0909.0701.8430
370	0909.0701.4237	0909.0701.6037	0909.0701.8437
400	0909.0701.4240	0909.0701.6040	0909.0701.8440

Aluminium 10/10 anodized

Blank bottom panels



Depth mm	Purchase code		
	42 TE Width	60 TE Width	84 TE Width
200	0909.0702.4220	0909.0702.6020	0909.0702.8420
240	0909.0702.4224	0909.0702.6024	0909.0702.8424
300	0909.0702.4230	0909.0702.6030	0909.0702.8430
370	0909.0702.4237	0909.0702.6037	0909.0702.8437
400	0909.0702.4240	0909.0702.6040	0909.0702.8440

Magnelis® 10/10

Ventilated covers



Depth mm	Purchase code		
	42 TE Width	60 TE Width	84 TE Width
200	0909.0703.4220	0909.0703.6020	0909.0703.8420
240	0909.0703.4224	0909.0703.6024	0909.0703.8424
300	0909.0703.4230	0909.0703.6030	0909.0703.8430
370	0909.0703.4237	0909.0703.6037	0909.0703.8437
400	0909.0703.4240	0909.0703.6040	0909.0703.8440

Aluminium 10/10 anodized

Ventilated bottom panels



Depth mm	Purchase code		
	42 TE Width	60 TE Width	84 TE Width
200	0909.0704.4220	0909.0704.6020	0909.0704.8420
240	0909.0704.4224	0909.0704.6024	0909.0704.8424
300	0909.0704.4230	0909.0704.6030	0909.0704.8430
370	0909.0704.4237	0909.0704.6037	0909.0704.8437
400	0909.0704.4240	0909.0704.6040	0909.0704.8440

Magnelis® 10/10

INTRUMENT SERIE COMPONENTS AND ACCESSORIES

Handle



TE Width	Purchase code
42	0505-0708-0142
60	0505-0708-0160
84	0505-0708-0184

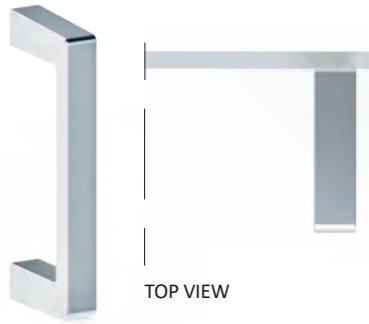
Aluminium and polyethylene reinforced with glass fibre 250 N capacity

▶▶▶ The code refers to the single handle

▶▶▶ Use with side panel

SEE
PG.239

Extruded handles



U	Hole type	Handle thickness mm	Wheelbase mm	Purchase code
2	M4	12	45	0505.0701.0212
3	M4	12	88	0505.0701.0312
4	M4	12	133.4	0505.0701.0412
5	M4	12	133.4	0505.0701.0412
6	M4	12	133.4	0505.0701.0412

Extruded aluminium EN AW 6060 T6 - Anodized

▶▶▶ The code refers to the single handle

▶▶▶ Use with flanges

SEE
PG.235

▶▶▶ Use with finishing profiles

SEE
PG.237

▶▶▶ Upon request M5

Extruded handles inclined 10°



U	Hole type	Handle thickness mm	Wheelbase mm	Purchase code
3	M4	12	88	0505.0703.0312
4	M4	12	133.4	0505.0703.0412
5	M4	12	133.4	0505.0703.0412
6	M4	12	133.4	0505.0703.0412

Extruded aluminium EN AW 6060 T6 - Anodized

▶▶▶ The code refers to the single handle

▶▶▶ Use with flanges

SEE
PG.235

▶▶▶ Use with finishing profiles

SEE
PG.237

▶▶▶ Upon request M5

Round handles



U	Hole type	Ø Handle mm	Wheelbase mm	Purchase code
3	M4	8	88	0505.0704.0308
4	M4	8	133.4	0505.0704.0408
5	M4	8	133.4	0505.0704.0408
6	M4	8	133.4	0505.0704.0408

Aluminium

▶▶▶ The code refers to the single handle

▶▶▶ Use with flanges

SEE
PG.235

▶▶▶ Use with finishing profiles

SEE
PG.237

Round handles (Stainless steel)



U	Hole type	Ø Handle mm	Wheelbase mm	Purchase code
3	M4	8	88	0505.0711.0308
4	M4	8	133.4	0505.0711.0408
5	M4	8	133.4	0505.0711.0408
6	M4	8	133.4	0505.0711.0408

Stainless steel

▶▶▶ The code refers to the single handle

▶▶▶ Use with flanges

SEE
PG.235

▶▶▶ Use with finishing profiles

SEE
PG.237

Foot h 4 mm



Purchase code
0505.2302

Black plastic

Foot h 16 mm



Purchase code
0505.2304

Black plastic

Foldable foot



Purchase code
0505.2305

Black plastic

Headless screws



Size	Purchase code
M 2,5	1000.2102.2508
M 3	1000.2102.0308

Hex wrench for headless screws



Type	Purchase code
M2,5	1000.2100.25
M3	1000.2100.03

Special Instrument Torx head screw



Type	Purchase code
M5x16	1000.0128.0516

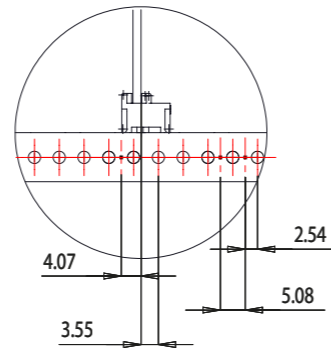
Galvanized steel

PCB CARD GUIDES

The PCB card guides are used to install the printed circuit boards on the frame and its subassemblies and are fixed through holes to the frame's profiles.

The slot width varies from 2 to 2.5 mm. Conductive and non-conductive vibration dampers as well as expansion fastening pins are available as options.

The PCB card guides are available in different configurations: offset, reinforced and IEEE. Their length may vary from 160 to 220 mm.



Front View: Guides Positioning

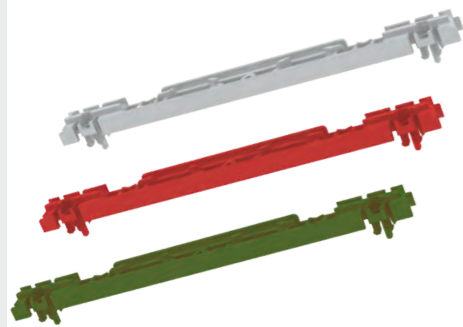
Offset PCB Board guide



PCB board depth mm	PCB Board slot mm	Purchase code
220	2	0505.0210.22
220	2,5	0505.0211.22

Polycarbonate PC UL 94 V-0 - Colour Green - Temperature -40°C to +115°C

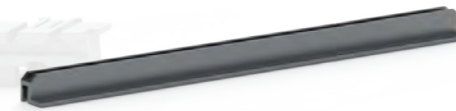
PCB Board guide



PCB board depth mm	PCB Board slot mm	Purchase code grey	Purchase code red	Purchase code green
160	2	0505.0201.16	0505.0201.1602	0505.0201.1603
220	2	0505.0201.22	0505.0201.2202	-
160	2,5	0505.0206.16	0505.0206.1602	-
220	2,5	0505.0206.22	0505.0206.2202	-

Polycarbonate PC UL 94 V-0 Temperature -40 ° C to + 115 ° C

Aluminium PCB board guides



PCB board depth mm	PCB Board slot mm	Purchase code
100	2,5	0505.0204.10
120	2,5	0505.0204.12
140	2,5	0505.0204.14
160	2,5	0505.0204.16
180	2,5	0505.0204.18
200	2,5	0505.0204.20
220	2,5	0505.0204.22
240	2,5	0505.0204.24
260	2,5	0505.0204.26
280	2,5	0505.0204.28

Extruded aluminium EN AW 6060 T6 - Painted RAL 9005

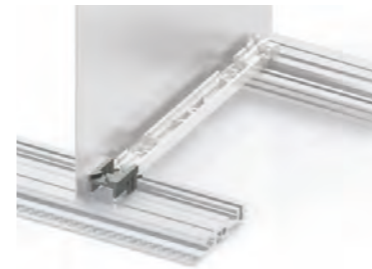
Reinforced PCB board guides



PCB board depth mm	PCB Board slot mm	Purchase code grey	Purchase code red
220	2	0505.0203.22	0505.0203.2202
220	2,5	0505.0208.22	0505.0208.2202

Polycarbonate PC UL 94 V-0 Temperature -40 ° C to + 115 ° C

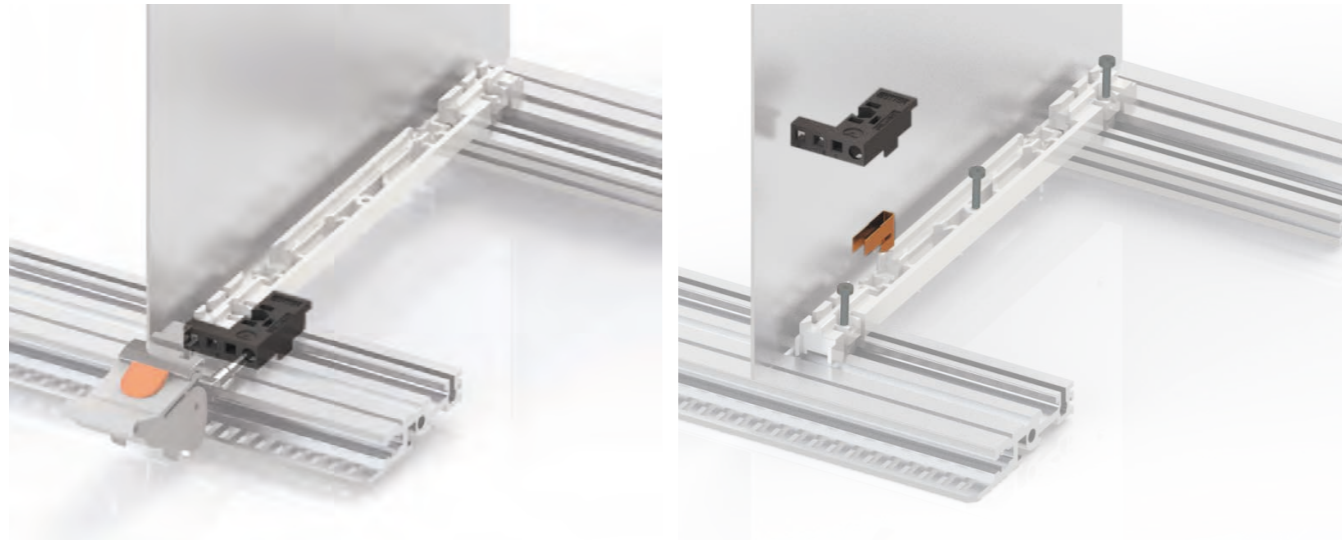
PCB Board lead-in



Purchase code
0505.3903

Polycarbonate PC UL 94 V 0
Colour grey
Temperature -40°C to +115°C

▶▶▶ The code includes top and bottom PCB Board lead-in



Encoding kit



Colour	Purchase code
black	0505-4118-01
red	0505-4118-0102
green	0505-4118-0103

Polycarbonate PC UL 94 V-0 Temperature -40 ° C to + 115 ° C

Contact spring IEEE

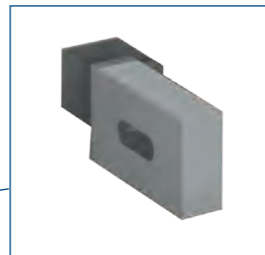
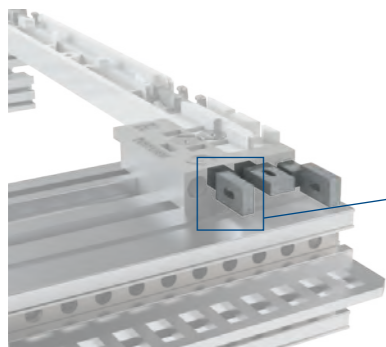


Purchase code
0505.3904

Bronze

Contact spring for encoding kit

Encoding pin



Purchase code
0505.1201.02

Polycarbonate PC UL 94 V 0
Temperature -40°C to +115°C

PB Board fixing pins



Purchase code
0505.8001

Plastica PBT UL 94 V 0 - Colour black - Temperature -40°C to +115°C

The pin is used as an alternative to the fixing screw

PATENT NUMBER: BR16623

PB Board fixing screws - M2,5 x12



Head type	Material	Purchase code
Torx	Steel 8.8	1000.0112.2512
Phillips	Steel 8.8	1000.0104.2512
Phillips	Stainless steel	1000.1104.2512

Steel 8.8 - Stainless steel

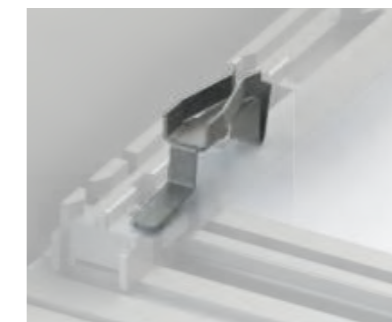
Antivibration



Colour	Conductive	PCB Board thickness mm	Material	Purchase code
Grey	Non-conductive	2	PC	0505.6401.16
Black	Non-conductive	2,5	PC	0505.6401.20
Black	Conductive	2	Denistat Y 30C 02 Resistance 5 Ohm	0505.6402.16
Black	Conductive	2,5	Denistat Y 30C 02 Resistance 5 Ohm	0505.6402.20

The code includes front and rear anti-vibrations

PCB Board contact spring



Purchase code
0505.6403

Bronze nichelato

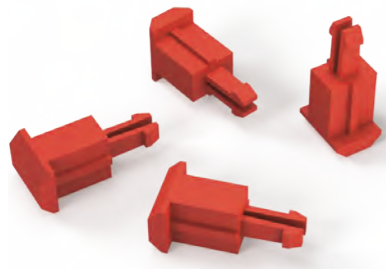
Extractors



Purchase code
0505.4001.03

Nylon PA66 + 30 % FV

Encoding pin



Purchase code
0505.1201

Nylon PA66 + 30 % FV

▶▶▶ The code refers to the single pin

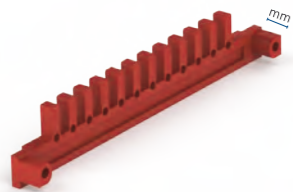
Encoding mask



Purchase code
0505.1203

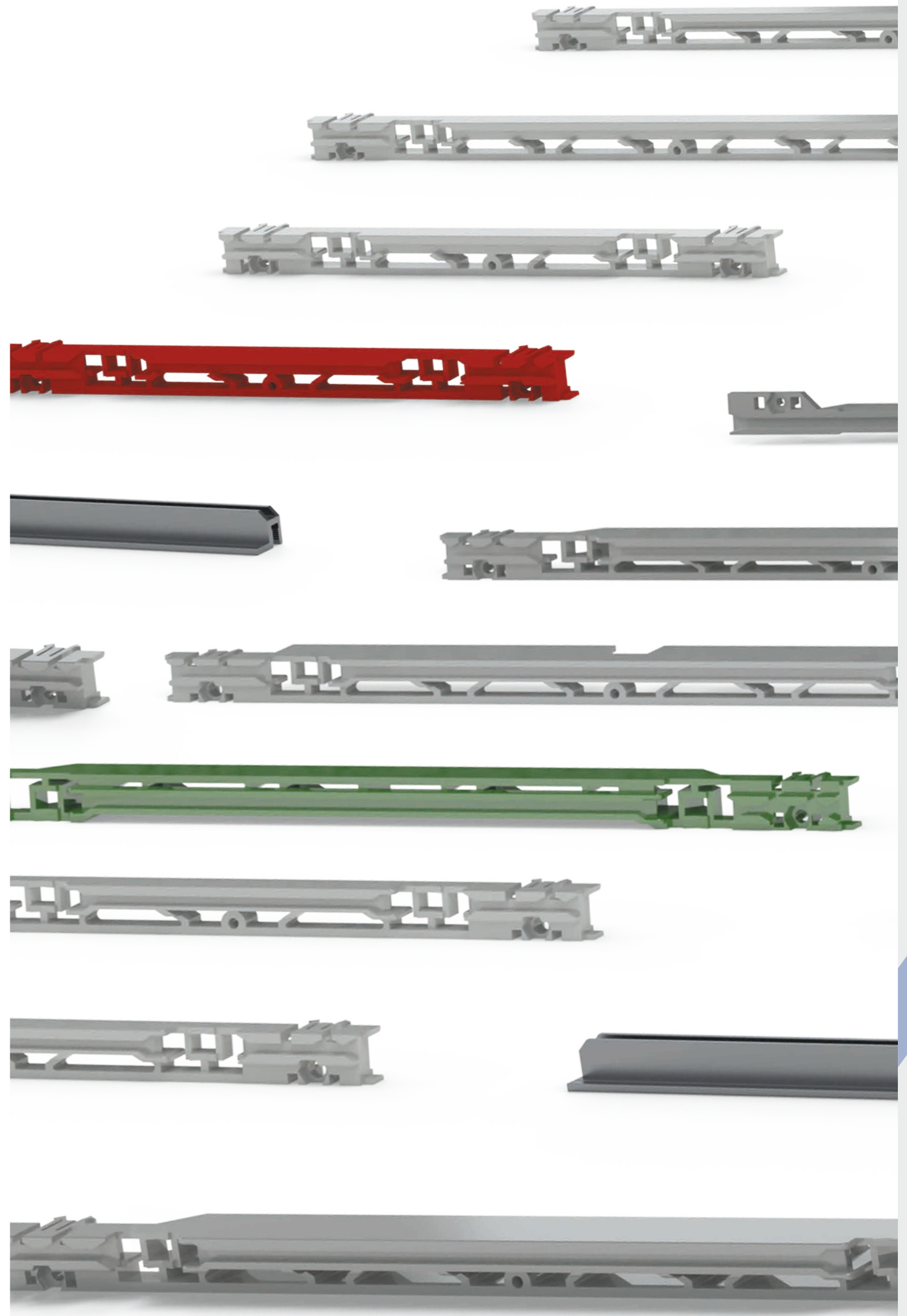
Nylon PA66 + 30 % FV

Encoding combs



Measure mm	Purchase code
6	0505.1202.03
4,2	0505.1202.04
3,46	0505.1202.06

Nylon PA66 + 30 % FV



INSTRUMENT SERIE CUSTOM

COLOURS

The choice of colors in some of the accessories will increase the recognition and customization of the product making it unique.

MECHANICAL CUSTOMIZATION:

Thanks to modern machining technology, it is possible to customize every single piece, thus allowing the elimination of additional working and reducing delivery time.

SERIES CUSTOMIZATION:

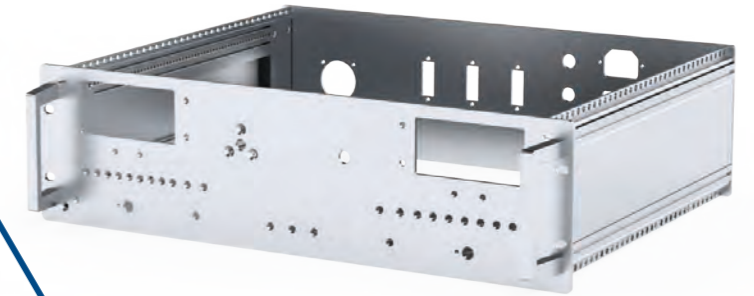
In case of high volumes, the customization procedures will be optimized, reducing costs and timing by transforming the custom product into a standard one.

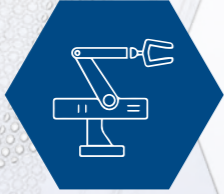
SERIGRAPHY:

In addition to the possibility of different colors of the outside structure, all internal components, such as the front panels, can be customized with serigraphic printing that allows to utilize a wide range of bright colours, texts, images or logos.

FINISHING:

The most widely used material is aluminium, for which we have several surface treatments such as:
SURTEC 650: a liquid process that provides the substrate with high corrosion protection: 336 h in simple saline mist and 150 h in acetic saline mist.
ANODIZATION: a non-spontaneous electrochemical process by which a protective layer is formed on the surface of the treated metal and protects it from corrosion.

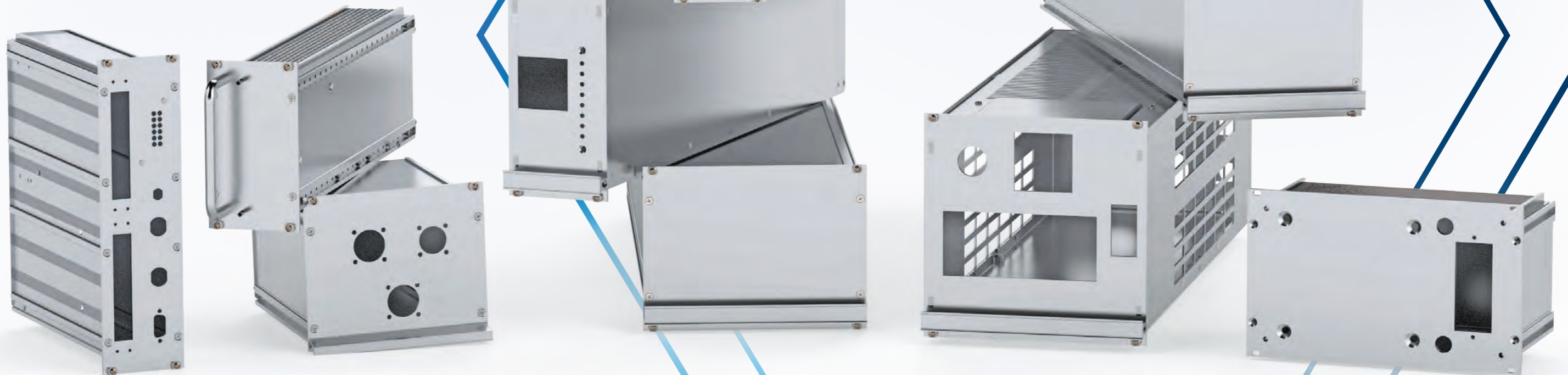


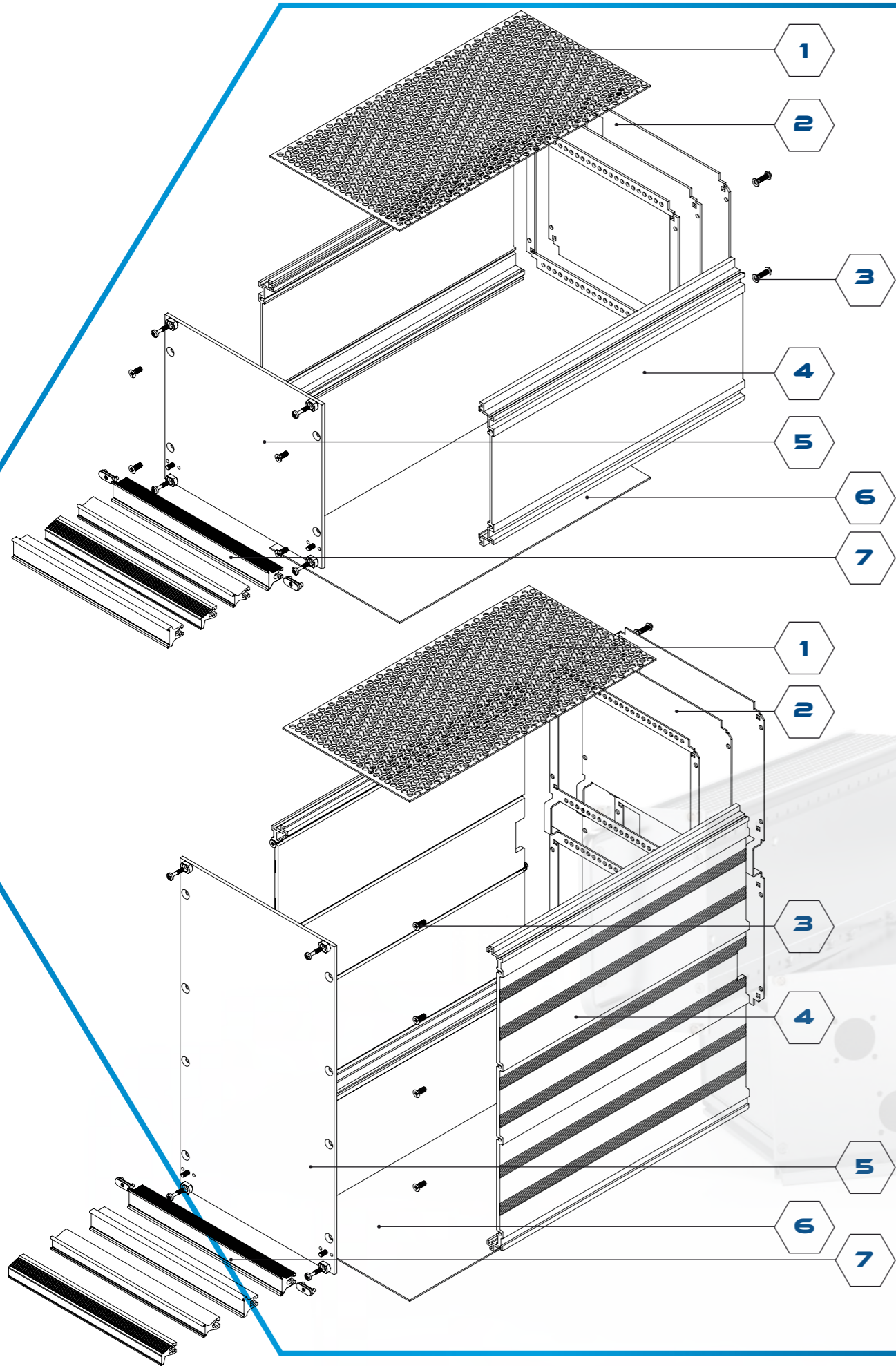


3U and 6U drawers for subrack installation.

They are composed of 2 side panels, 1 front panel, 1 rear panel and 2 aluminium covers, with Surtec 650 treatment.

They are generally used where PCB cards need to be protected or separated inside the subrack, as in case of power supply and heavy components.



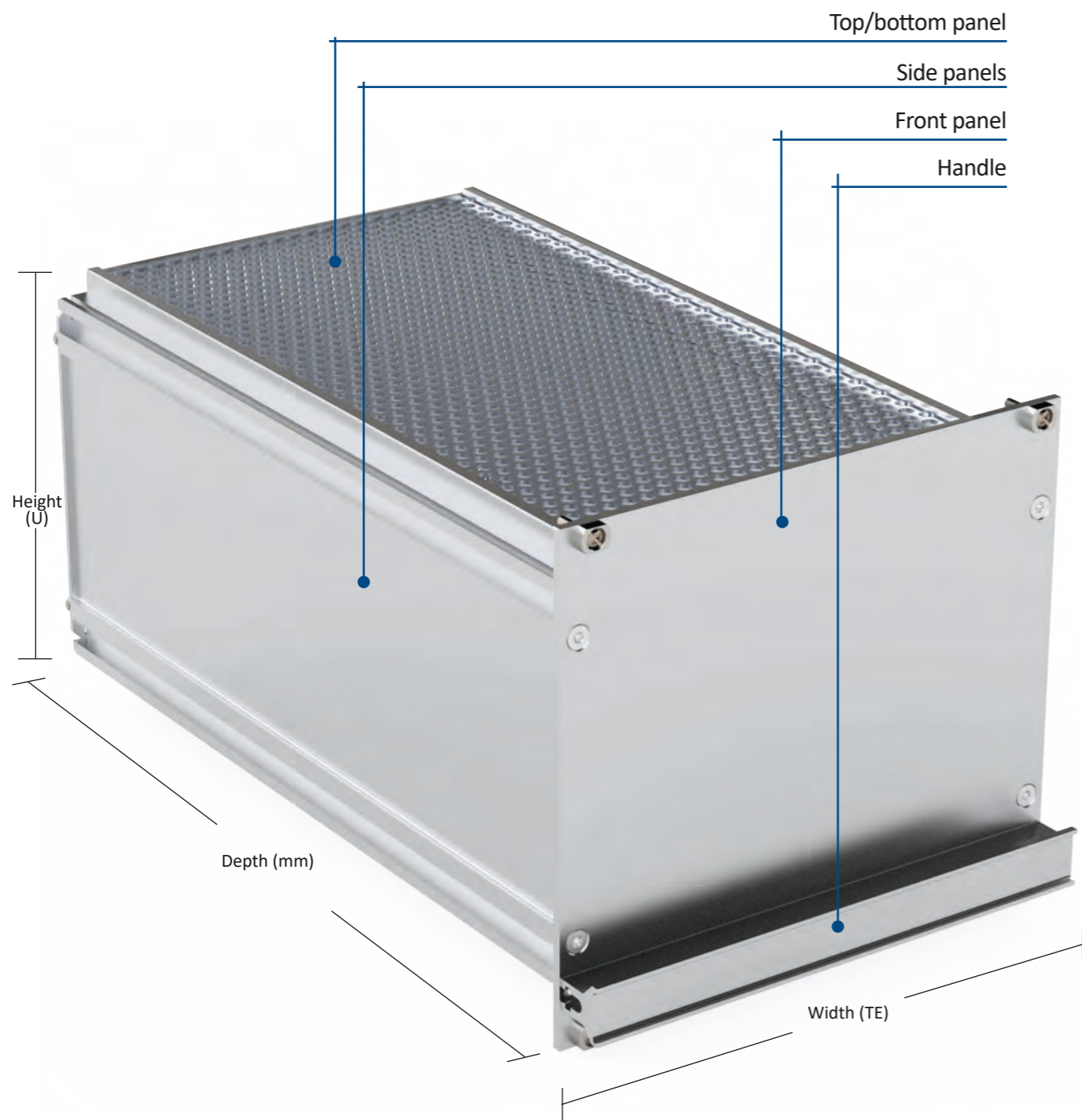


**3U
SUBUNIT
PG. 256**

- 1 >>> Top and bottom ventilated panels PG. 258
- 2 >>> Rear panels PG. 260
- 3 >>> Screws PG. 261
- 4 >>> 3U side panels PG. 258
- 5 >>> 3U front panels PG. 259
- 6 >>> Top and bottom blank panels PG. 258
- 7 >>> Handles PG. 262

**6U
SUBUNIT
PG. 266**

- 1 >>> Top and bottom ventilated panels PG. 268
- 2 >>> Rear panels PG. 270
- 3 >>> Screws PG. 271
- 4 >>> 6U side panels PG. 268
- 5 >>> 6U front panels PG. 269
- 6 >>> Top and bottom blank panels PG. 268
- 7 >>> Handles PG. 273

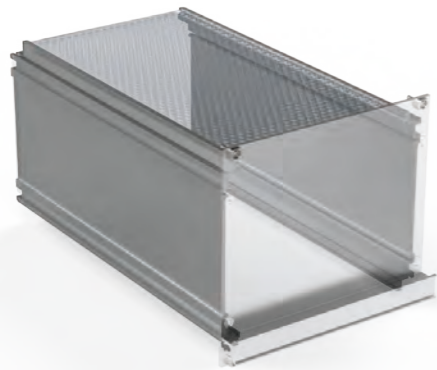


3 Units subunit

Height in U	Total height mm	Width TE	Depth mm	Purchase code
3	129	10	167	0303-0103-1016
3	129	10	187	0303-0103-1018
3	129	10	227	0303-0103-1022
3	129	10	287	0303-0103-1028
3	129	12	167	0303-0103-1216
3	129	12	187	0303-0103-1218
3	129	12	227	0303-0103-1222
3	129	12	287	0303-0103-1228
3	129	14	167	0303-0103-1416
3	129	14	187	0303-0103-1418
3	129	14	227	0303-0103-1422
3	129	14	287	0303-0103-1428
3	129	21	167	0303-0103-2116
3	129	21	187	0303-0103-2118
3	129	21	227	0303-0103-2122
3	129	21	287	0303-0103-2128
3	129	28	167	0303-0103-2816
3	129	28	187	0303-0103-2818
3	129	28	227	0303-0103-2822
3	129	28	287	0303-0103-2828
3	129	42	167	0303-0103-4216
3	129	42	187	0303-0103-4218
3	129	42	227	0303-0103-4222
3	129	42	287	0303-0103-4228

3U SUBUNIT COMPONENTS AND ACCESSORIES

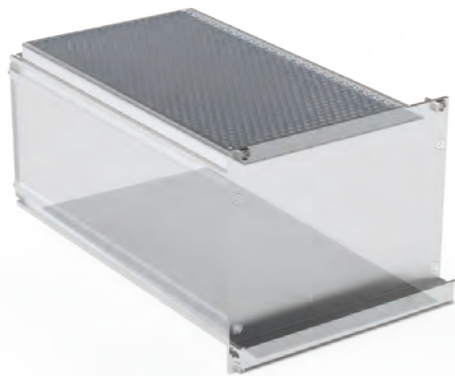
3U side panels



Depth mm	Purchase code	
	Anodized	Surtec 650
167	0303.0101.16	0303.0102.16
187	0303.0101.18	0303.0102.18
227	0303.0101.22	0303.0102.22
287	0303.0101.28	0303.0102.28
1000	0303.0101.10	0303.0102.10

Aluminium estruso 6060 T6 Anodized - Surtec

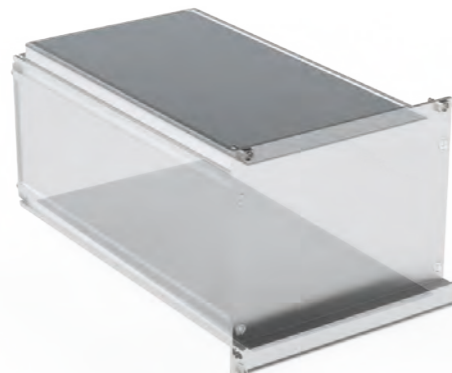
Top and bottom ventilated panels



Width TE	Purchase code			
	Depth 167 mm	Depth 187 mm	Depth 227 mm	Depth 287 mm
10	0303.0902.1016	0303.0902.1018	0303.0902.1022	0303.0902.1028
12	0303.0902.1216	0303.0902.1218	0303.0902.1222	0303.0902.1228
14	0303.0902.1416	0303.0902.1418	0303.0902.1422	0303.0902.1428
21	0303.0902.2116	0303.0902.2118	0303.0902.2122	0303.0902.2128
28	0303.0902.2816	0303.0902.2818	0303.0902.2822	0303.0902.2828
42	0303.0902.4216	0303.0902.4218	0303.0902.4222	0303.0902.4228

Aluminium 10/10 Surtec 650

Top and bottom blank panels



Width TE	Purchase code			
	Depth 167 mm	Depth 187 mm	Depth 227 mm	Depth 287 mm
10	0303.0901.1016	0303.0901.1018	0303.0901.1022	0303.0901.1028
12	0303.0901.1216	0303.0901.1218	0303.0901.1222	0303.0901.1228
14	0303.0901.1416	0303.0901.1418	0303.0901.1422	0303.0901.1428
21	0303.0901.2116	0303.0901.2118	0303.0901.2122	0303.0901.2128
28	0303.0901.2816	0303.0901.2818	0303.0901.2822	0303.0901.2828
42	0303.0901.4216	0303.0901.4218	0303.0901.4222	0303.0901.4228

Aluminium 10/10 Surtec 650

3u subunit front panels for handles



Width TE	Purchase code			
	Anodized	Pre-anodized	Surtec 650	Double treatment*
10	0303.0701.0310	0303.0706.0310	0303.0703.0310	0303.0705.0310
12	0303.0701.0312	0303.0706.0312	0303.0703.0312	0303.0705.0312
14	0303.0701.0314	0303.0706.0314	0303.0703.0314	0303.0705.0314
21	0303.0701.0321	0303.0706.0321	0303.0703.0321	0303.0705.0321
28	0303.0701.0328	0303.0706.0328	0303.0703.0328	0303.0705.0328
42	0303.0701.0342	0303.0706.0342	0303.0703.0342	0303.0705.0342

Aluminium 25/10 Anodized - Pre-anodized - Surtec 650 - Double treatment

*Anodized front and Surtec 650 rear treatment

Handles provided separately

SEE
PG.262
PG.263

3U subunit front panels for extractors



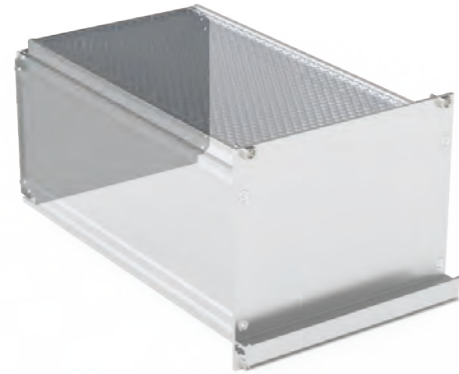
Width TE	Purchase code			
	Anodized	Pre-anodized	Surtec 650	Double treatment*
10	0303.1101.0310	0303.1106.0310	0303.1103.0310	0303.1105.0310
12	0303.1101.0312	0303.1106.0312	0303.1103.0312	0303.1105.0312
14	0303.1101.0314	0303.1106.0314	0303.1103.0314	0303.1105.0314
21	0303.1101.0321	0303.1106.0321	0303.1103.0321	0303.1105.0321
28	0303.1101.0328	0303.1106.0328	0303.1103.0328	0303.1105.0328
42	0303.1101.0342	0303.1106.0342	0303.1103.0342	0303.1105.0342

Aluminium 25/10 Anodized - Pre-anodized - Surtec 650 - Double treatment

Extractors provided separately

SEE
PG.264

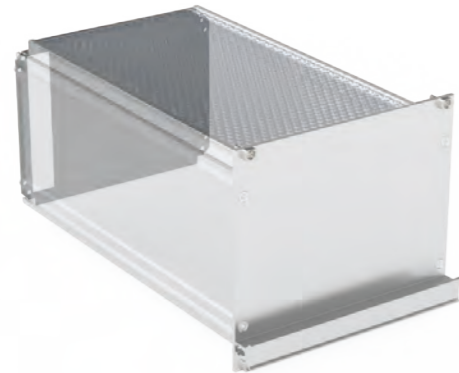
Blank rear panels



Width TE	Purchase code
10	0303.0801.0310
12	0303.0801.0312
14	0303.0801.0314
21	0303.0801.0321
28	0303.0801.0328
42	0303.0801.0342

Magnelis® 15/10

Rear panels with connector hole



Width TE	Purchase code
10	0303.0802.0310
12	0303.0802.0312
14	0303.0802.0314
21	0303.0802.0321
28	0303.0802.0328
42	0303.0802.0342

Magnelis® 15/10

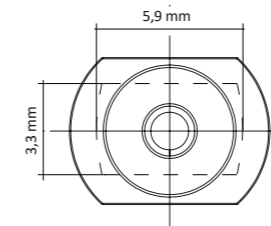
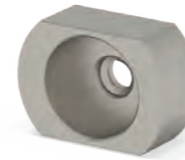
Opened rear panels



Width TE	Purchase code
10	0303.0803.0310
12	0303.0803.0312
14	0303.0803.0314
21	0303.0803.0321
28	0303.0803.0328
42	0303.0803.0342

Magnelis® 15/10

Metal sleeve



Purchase code
0505.2603

Nickel-plated brass

Eyelet : 5.9x3.3 mm

Handle inserts



Purchase code
0505.0601

White galvanized Zama

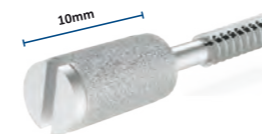
Captive screws



Type	Purchase code
Phillips head M2,5x11	1000.0107.2511
slot head M2,5x11	1000.0108.2511*
slot head M2,5x12	1000.01082512
Phillips/Slot combined head M2,5x13	1000.0109.2513
torx head M2,5x12	1000.0120.2512
torx head M2,5x12	1000.0131.2512**

Nickel-plated steel
 *Nickel-plated brass
 **Stainless steel

UNI 1 49-G Slot / externally relieved head captive screw



Type	Purchase code
M2,5x12	1000.0117.2512

Stainless steel

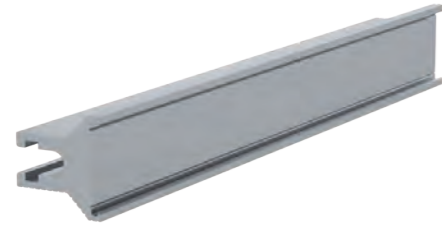
Slot / externally relieved head captive screw



Type	Purchase code
M2,5x14	1000.0116.2514

Nickel-plated brass

"A" type handles



Width TE	Purchase code
3	0505.0502.03
4	0505.0502.04
5	0505.0502.05
6	0505.0502.06
7	0505.0502.07
8	0505.0502.08
9	0505.0502.09
10	0505.0502.10
12	0505.0502.12
14	0505.0502.14
16	0505.0502.16
20	0505.0502.20
21	0505.0502.21
24	0505.0502.24
42	0505.0502.42
84	0505.0502.84
196	0505.0502.196

Extruded aluminium EN AW 6060 T6 - Pre-anodized

Use with tab SEE PG.265

"C" type handles



Width TE	Purchase code
3	0505.0503.03
4	0505.0503.04
5	0505.0503.05
6	0505.0503.06
7	0505.0503.07
8	0505.0503.08
9	0505.0503.09
10	0505.0503.10
12	0505.0503.12
14	0505.0503.14
16	0505.0503.16
20	0505.0503.20
21	0505.0503.21
24	0505.0503.24
42	0505.0503.42
84	0505.0503.84
196	0505.0503.196

Extruded aluminium EN AW 6060 T6 - Pre-anodized

Use with tab SEE PG.265

"B" type handles



Width TE	Purchase code
3	0505.0501.03
4	0505.0501.04
5	0505.0501.05
6	0505.0501.06
7	0505.0501.07
8	0505.0501.08
9	0505.0501.09
10	0505.0501.10
12	0505.0501.12
14	0505.0501.14
16	0505.0501.16
20	0505.0501.20
21	0505.0501.21
24	0505.0501.24
42	0505.0501.42
84	0505.0501.84
196	0505.0501.196

Extruded aluminium EN AW 6060 T6 - Pre-anodized

Use with tab SEE PG.265

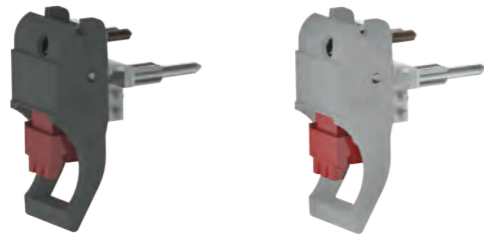
"D" type handles



Width TE	Purchase code
3	0505.0504.03
4	0505.0504.04
5	0505.0504.05
6	0505.0504.06
7	0505.0504.07
8	0505.0504.08
9	0505.0504.09
10	0505.0504.10
12	0505.0504.12
14	0505.0504.14
16	0505.0504.16
20	0505.0504.20
21	0505.0504.21
24	0505.0504.24
42	0505.0504.42
84	0505.0504.84
196	0505.0504.196

Extruded aluminium EN AW 6060 T6 - Pre-anodized

"A" type top extractors / inserters kit

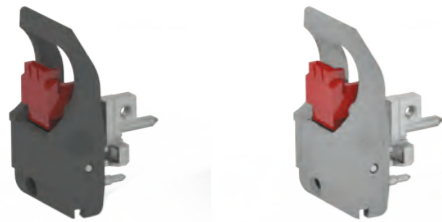


Colour	Purchase code
Black	0505-4191-4171
Grey	0505-4192-4171

Various materials

Use with front panel SEE PG.259

"A" type bottom extractors / inserters kit

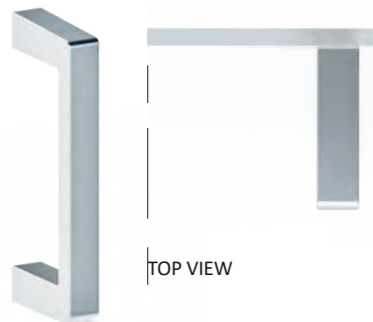


Colour	Purchase code
Black	0505-4191-4181
Grey	0505-4192-4181

Various materials

Use with front panel SEE PG.259

Extruded handle



Type foro	Handle thickness mm	Wheelbase mm	Purchase code
M4	12	45	0505.0701.0212

Extruded aluminium EN AW 6060 T6 - Anodized

Tabs



TE	Purchase code	
	A - B type handles	C type handles
3	0505.0801.03	0505.0806.03
4	0505.0801.04	0505.0806.04
5	0505.0801.05	0505.0806.05
6	0505.0801.06	0505.0806.06
7	0505.0801.07	0505.0806.07
8	0505.0801.08	0505.0806.08
9	0505.0801.09	0505.0806.09
10	0505.0801.10	0505.0806.10
11	0505.0801.11	0505.0806.11
12	0505.0801.12	0505.0806.12
13	0505.0801.13	0505.0806.13
14	0505.0801.14	0505.0806.14
15	0505.0801.15	0505.0806.15
16	0505.0801.16	0505.0806.16

Aluminium 10/10 Anodized

Use with handles SEE PG.262 PG.263



6 Units subunit

Height in U	Total height mm	Width TE	Depth mm	Purchase code
6	262	10	167	0303-0106-1016
6	262	10	187	0303-0106-1018
6	262	10	227	0303-0106-1022
6	262	10	287	0303-0106-1028
6	262	12	167	0303-0106-1216
6	262	12	187	0303-0106-1218
6	262	12	227	0303-0106-1222
6	262	12	287	0303-0106-1228
6	262	14	167	0303-0106-1416
6	262	14	187	0303-0106-1418
6	262	14	227	0303-0106-1422
6	262	14	287	0303-0106-1428
6	262	21	167	0303-0106-2116
6	262	21	187	0303-0106-2118
6	262	21	227	0303-0106-2122
6	262	21	287	0303-0106-2128
6	262	28	167	0303-0106-2816
6	262	28	187	0303-0106-2818
6	262	28	227	0303-0106-2822
6	262	28	287	0303-0106-2828
6	262	42	167	0303-0106-4216
6	262	42	187	0303-0106-4218
6	262	42	227	0303-0106-4222
6	262	42	287	0303-0106-4228

6U SUBUNIT COMPONENTS AND ACCESSORIES

6U side panels



Depth mm	Purchase code	
	Anodized	Surtec 650
167	0303.0301.16	0303.0302.16
187	0303.0301.18	0303.0302.18
227	0303.0301.22	0303.0302.22
287	0303.0301.28	0303.0302.28
1000	0303.0301.10	0303.0302.10

Aluminium estruso 6060 T6 - Anodized - Surtec

Side panels production availability from customer design

Top and bottom ventilated panels



Width TE	Purchase code			
	Depth 167 mm	Depth 187 mm	Depth 227 mm	Depth 287 mm
10	0303.0902.1016	0303.0902.1018	0303.0902.1022	0303.0902.1028
12	0303.0902.1216	0303.0902.1218	0303.0902.1222	0303.0902.1228
14	0303.0902.1416	0303.0902.1418	0303.0902.1422	0303.0902.1428
21	0303.0902.2116	0303.0902.2118	0303.0902.2122	0303.0902.2128
28	0303.0902.2816	0303.0902.2818	0303.0902.2822	0303.0902.2828
42	0303.0902.4216	0303.0902.4218	0303.0902.4222	0303.0902.4228

Aluminium 10/10 Surtec 650

Top and bottom blank panels



Width TE	Purchase code			
	Depth 167 mm	Depth 187 mm	Depth 227 mm	Depth 287 mm
10	0303.0901.1016	0303.0901.1018	0303.0901.1022	0303.0901.1028
12	0303.0901.1216	0303.0901.1218	0303.0901.1222	0303.0901.1228
14	0303.0901.1416	0303.0901.1418	0303.0901.1422	0303.0901.1428
21	0303.0901.2116	0303.0901.2118	0303.0901.2122	0303.0901.2128
28	0303.0901.2816	0303.0901.2818	0303.0901.2822	0303.0901.2828
42	0303.0901.4216	0303.0901.4218	0303.0901.4222	0303.0901.4228

Aluminium 10/10 Surtec 650

6U subunit front panel for handles



Width TE	Purchase code			
	Anodized	Pre-anodized	Surtec 650	Double treatment*
10	0303.0701.0610	0303.0706.0610	0303.0703.0610	0303.0705.0610
12	0303.0701.0612	0303.0706.0612	0303.0703.0612	0303.0705.0612
14	0303.0701.0614	0303.0706.0614	0303.0703.0614	0303.0705.0614
21	0303.0701.0621	0303.0706.0621	0303.0703.0621	0303.0705.0621
28	0303.0701.0628	0303.0706.0628	0303.0703.0628	0303.0705.0628
42	0303.0701.0642	0303.0706.0642	0303.0703.0642	0303.0705.0642

Aluminium 25/10 Anodized - Pre-anodized - Surtec 650 - Double treatment

*Anodized front and Surtec 650 rear treatment

Handles provided separately

SEE PG.273

6U subunit front panels for extractors



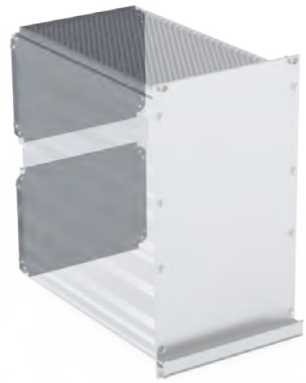
Width TE	Purchase code			
	Anodized	Pre-anodized	Surtec 650	Double treatment*
10	0303.1101.0610	0303.1106.0610	0303.1103.0610	0303.1105.0610
12	0303.1101.0612	0303.1106.0612	0303.1103.0612	0303.1105.0612
14	0303.1101.0614	0303.1106.0614	0303.1103.0614	0303.1105.0614
21	0303.1101.0621	0303.1106.0621	0303.1103.0621	0303.1105.0621
28	0303.1101.0628	0303.1106.0628	0303.1103.0628	0303.1105.0628
42	0303.1101.0642	0303.1106.0642	0303.1103.0642	0303.1105.0642

Aluminium 25/10 Anodized - Pre-anodized - Surtec 650 - Double treatment

Extractors

SEE PG.275

Blank rear panels



Width TE	Purchase code
10	0303.0801.0610
12	0303.0801.0612
14	0303.0801.0614
21	0303.0801.0621
28	0303.0801.0628
42	0303.0801.0642

Magnelis® 15/10

Rear panels with connector hole



Width TE	Purchase code
10	0303.0802.0610
12	0303.0802.0612
14	0303.0802.0614
21	0303.0802.0621
28	0303.0802.0628
42	0303.0802.0642

Magnelis® 15/10

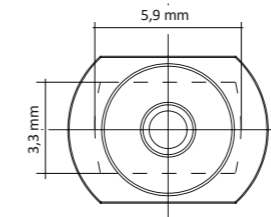
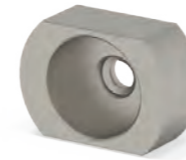
Opened rear panels



Width TE	Purchase code
10	0303.0803.0610
12	0303.0803.0612
14	0303.0803.0614
21	0303.0803.0621
28	0303.0803.0628
42	0303.0803.0642

Magnelis® 15/10

Metal sleeve



Purchase code
0505.2603

Nickel-plated brass

Eyelet : 5,9x3,3

Handle inserts



Purchase code
0505.0601

White galvanized Zama

Captive screws



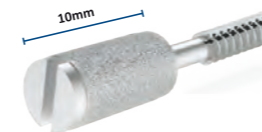
Type	Purchase code
phillips head M2,5x11	1000.0107.2511
slot head M2,5x11	1000.0108.2511*
slot head M2,5x12	1000.01082512
Phillips/Slot combined head M2,5x13	1000.0109.2513
torx head M2,5x12	1000.0120.2512
torx head M2,5x12	1000.0131.2512**

Nickel-plated steel

*Nickel-plated brass

**Stainless steel

UNI 1 49-G Slot / externally relieved head captive screw



Type	Purchase code
M2,5x12	1000.0117.2512

Stainless steel

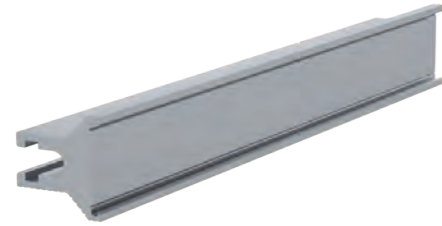
Slot / externally relieved head captive screw



Type	Purchase code
M2,5x14	1000.0116.2514

Nickel-plated brass

"A" type handles



Width TE	Purchase code
3	0505.0502.03
4	0505.0502.04
5	0505.0502.05
6	0505.0502.06
7	0505.0502.07
8	0505.0502.08
9	0505.0502.09
10	0505.0502.10
12	0505.0502.12
14	0505.0502.14
16	0505.0502.16
20	0505.0502.20
21	0505.0502.21
24	0505.0502.24
42	0505.0502.42
84	0505.0502.84
196	0505.0502.196

Extruded aluminium EN AW 6060 T6 - Pre-anodized

Use with tab

SEE
PG.274

"C" type handles



Width TE	Purchase code
3	0505.0503.03
4	0505.0503.04
5	0505.0503.05
6	0505.0503.06
7	0505.0503.07
8	0505.0503.08
9	0505.0503.09
10	0505.0503.10
12	0505.0503.12
14	0505.0503.14
16	0505.0503.16
20	0505.0503.20
21	0505.0503.21
24	0505.0503.24
42	0505.0503.42
84	0505.0503.84
196	0505.0503.196

Extruded aluminium EN AW 6060 T6 - Pre-anodized

Use with tab

SEE
PG.274

"B" type handles



Width TE	Purchase code
3	0505.0501.03
4	0505.0501.04
5	0505.0501.05
6	0505.0501.06
7	0505.0501.07
8	0505.0501.08
9	0505.0501.09
10	0505.0501.10
12	0505.0501.12
14	0505.0501.14
16	0505.0501.16
20	0505.0501.20
21	0505.0501.21
24	0505.0501.24
42	0505.0501.42
84	0505.0501.84
196	0505.0501.196

Extruded aluminium EN AW 6060 T6 - Pre-anodized

Use with tab

SEE
PG.274

"D" type handles



Width TE	Purchase code
3	0505.0504.03
4	0505.0504.04
5	0505.0504.05
6	0505.0504.06
7	0505.0504.07
8	0505.0504.08
9	0505.0504.09
10	0505.0504.10
12	0505.0504.12
14	0505.0504.14
16	0505.0504.16
20	0505.0504.20
21	0505.0504.21
24	0505.0504.24
42	0505.0504.42
84	0505.0504.84
196	0505.0504.196

Extruded aluminium EN AW 6060 T6 - Pre-anodized

Tabs



TE	Purchase code	
	A - B type handles	C type handles
3	0505.0801.03	0505.0806.03
4	0505.0801.04	0505.0806.04
5	0505.0801.05	0505.0806.05
6	0505.0801.06	0505.0806.06
7	0505.0801.07	0505.0806.07
8	0505.0801.08	0505.0806.08
9	0505.0801.09	0505.0806.09
10	0505.0801.10	0505.0806.10
11	0505.0801.11	0505.0806.11
12	0505.0801.12	0505.0806.12
13	0505.0801.13	0505.0806.13
14	0505.0801.14	0505.0806.14
15	0505.0801.15	0505.0806.15
16	0505.0801.16	0505.0806.16

Aluminium 10/10 anodized

Use with handles

SEE
PG.272
PG.273

Round handles



U	Hole type	Ø Handle mm	Wheelbase mm	Purchase code
3	M4	8	88	0505.0704.0308
4	M4	8	133.4	0505.0704.0408
5	M4	8	133.4	0505.0704.0408
6	M4	8	133.4	0505.0704.0408

Aluminium

The code refers to the single handle

Round handles (Stainless steel)

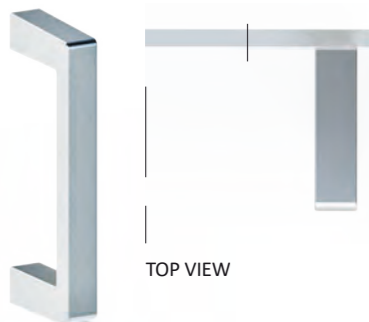


U	Hole type	Ø Handle mm	Wheelbase mm	Purchase code
3	M4	8	88	0505.0711.0308
4	M4	8	133.4	0505.0711.0408
5	M4	8	133.4	0505.0711.0408
6	M4	8	133.4	0505.0711.0408

Stainless steel

The code refers to the single handle

Extruded handles



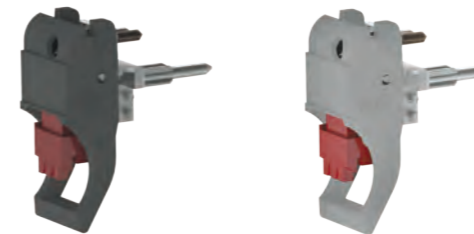
U	Hole type	Handle thickness mm	Wheelbase mm	Purchase code
2	M4	12	45	0505.0701.0212
3	M4	12	88	0505.0707.0312
4	M4	12	133.4	0505.0701.0412
5	M4	12	133.4	0505.0701.0412
6	M4	12	133.4	0505.0701.0412

Extruded aluminium EN AW 6060 T6 - Anodized

The code refers to the single handle

Upon request M5

"A" type top extractors / inserters kit



Colour	Purchase code
Black	0505-4191-4171
Grey	0505-4192-4171

Various materials

Use with front panel

SEE
PG.269

Extruded handles inclined 10°



U	Hole type	Handle thickness mm	Wheelbase mm	Purchase code
3	M4	12	88	0505.0703.0312
4	M4	12	133.4	0505.0703.0412
5	M4	12	133.4	0505.0703.0412
6	M4	12	133.4	0505.0703.0412

Extruded aluminium EN AW 6060 T6 - Anodized

The code refers to the single handle

Upon request M5

"A" type bottom extractors / inserters kit



Colour	Purchase code
Black	0505-4191-4181
Grey	0505-4192-4181

Various materials

Use with front panel

SEE
PG.269

COLOURS

The choice of colors in some of the accessories will increase the recognition and customization of the product making it unique.

MECHANICAL CUSTOMIZATION:

Thanks to modern machining technology, it is possible to customize every single piece, thus allowing the elimination of additional working and reducing delivery time.

SERIES CUSTOMIZATION:

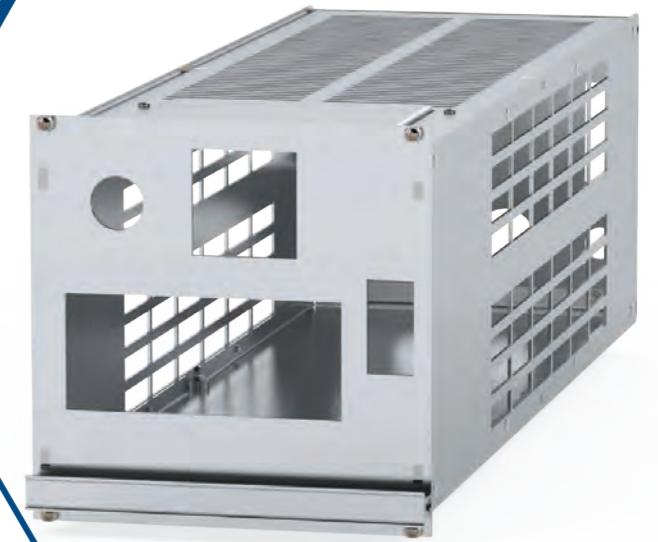
In case of high volumes, the customization procedures will be optimized, reducing costs and timing by transforming the custom product into a standard one.

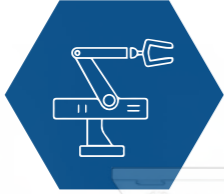
SERIGRAPHY:

In addition to the possibility of different colors of the outside structure, all internal components, such as the front panels, can be customized with serigraphic printing that allows to utilize a wide range of bright colours, texts, images or logos.

FINISHING:

The most widely used material is aluminium, for which we have several surface treatments such as:
SURTEC 650: a liquid process that provides the substrate with high corrosion protection: 336 h in simple saline mist and 150 h in acetic saline mist.
ANODIZATION: a non-spontaneous electrochemical process by which a protective layer is formed on the surface of the treated metal and protects it from corrosion.





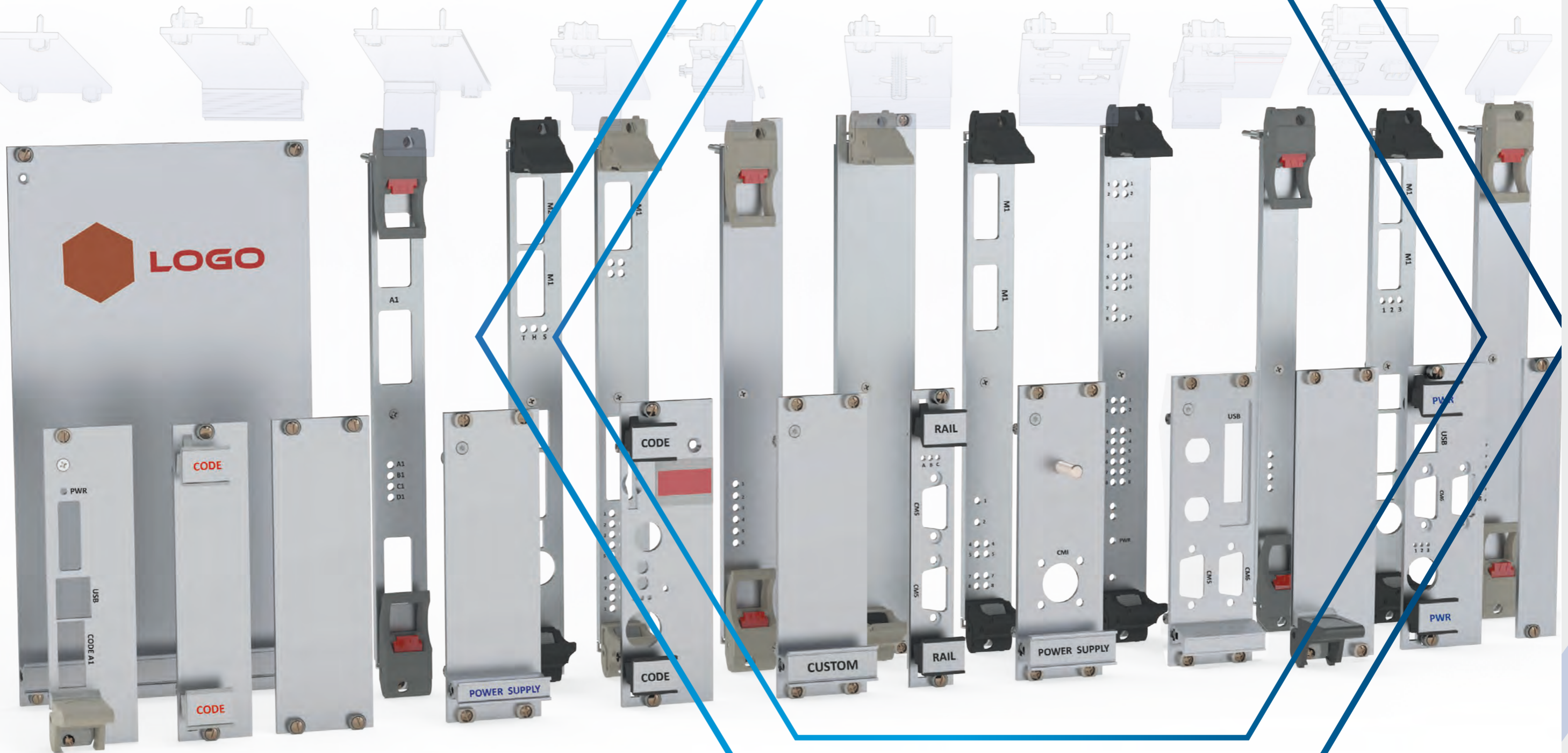
Cover and front panels for electronic PCB cards mount can be divided into three categories:

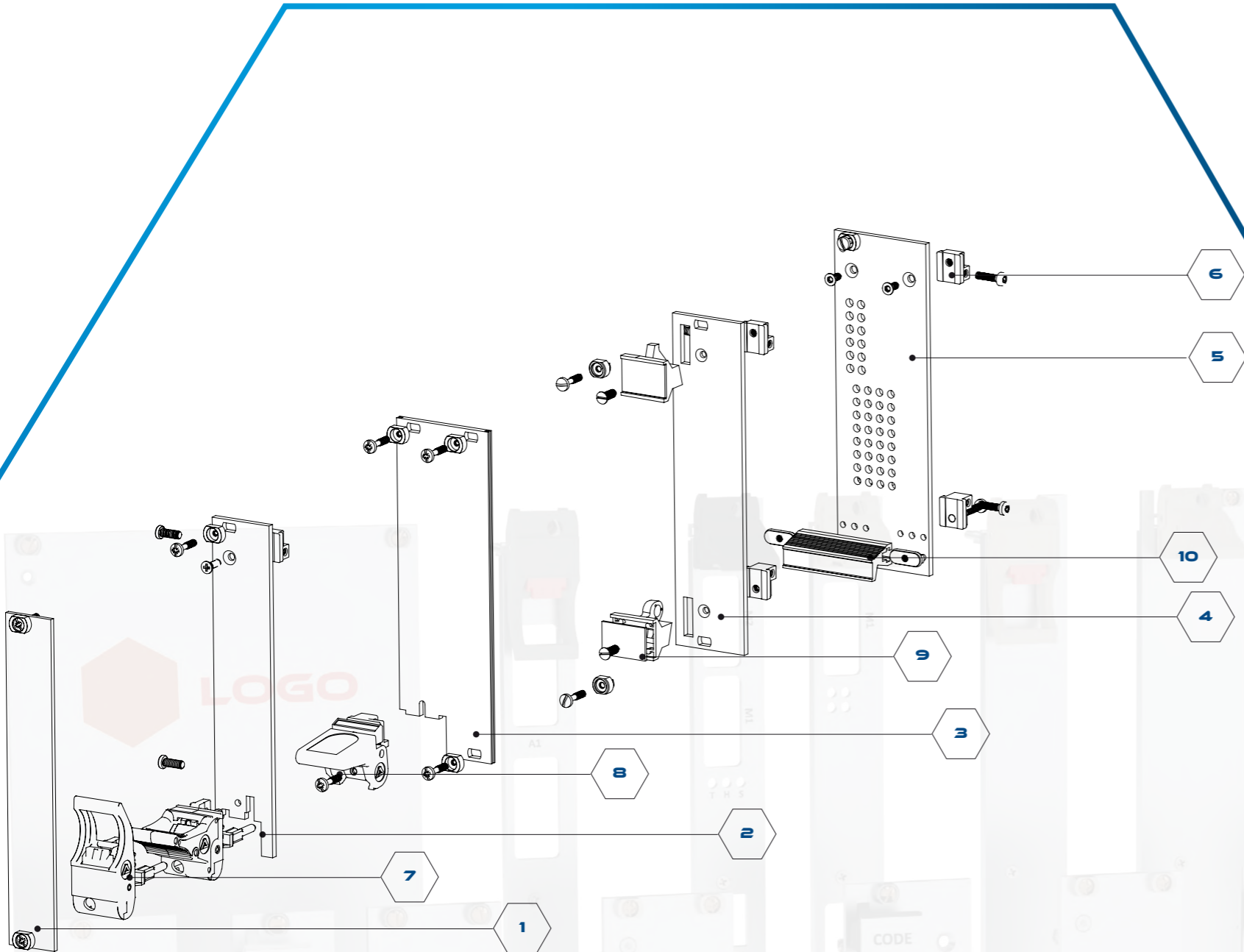
- Front panels made of aluminium sheets.
- Front panels made of aluminium sheets and EMC shielded.
- Front panels made of extruded aluminium profiles for EMC shielding.

They are available with heights ranging from 3U to 6U, and width from 2TE up to 84TE.

They are made of aluminium with Surtec 650 treatment or front double anodized treatment and rear Surtec 650 treatment.

A wide range of accessories, customizable handles and ejectors, with serigraphic color printing are available upon request.



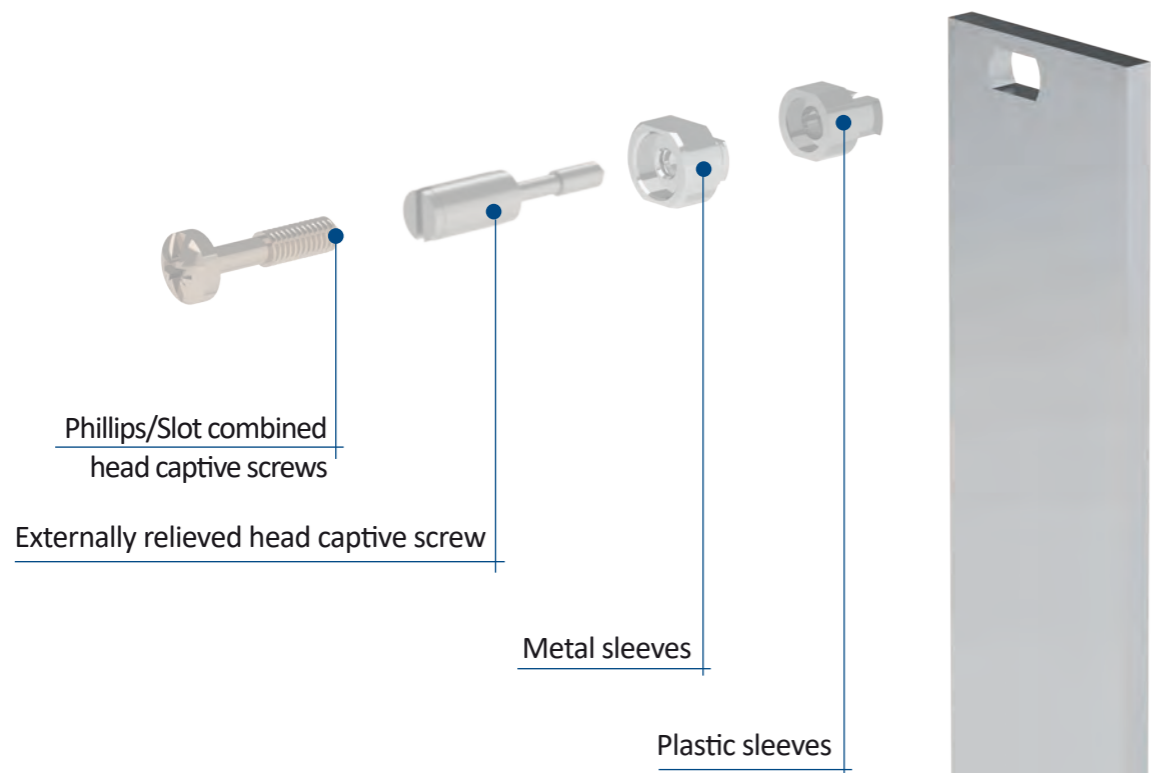


1	Blank Front panel	PG. 282	PG. 304	PG. 326
2	Front panel for "A" and "B" type extractors and insertors	PG. 296	PG. 318	PG. 340
3	Front panel for "C" type extractors and insertors	PG. 300	PG. 322	PG. 344
4	Front panel for extractors	PG. 290	PG. 312	PG. 334
5	Front panel for PCBs and handles	PG. 286	PG. 308	PG. 330
6	PCB Board fixing accessories			PG. 355
7	Type "A" and "B" extractors			PG. 353
8	Type "C" extractors			PG. 353
9	Extractors			PG. 352
10	Handles			PG. 350
11	Captive screws			PG. 349
12	EMC gaskets			PG. 354

STANDARD CATEGORIES:

FRONT PANEL PG. 282	EMC FRONT PANEL PG. 304	EMC EXTRUDED FRONT PANEL PG. 326
------------------------	----------------------------	-------------------------------------

3U BLANK FRONT PANEL

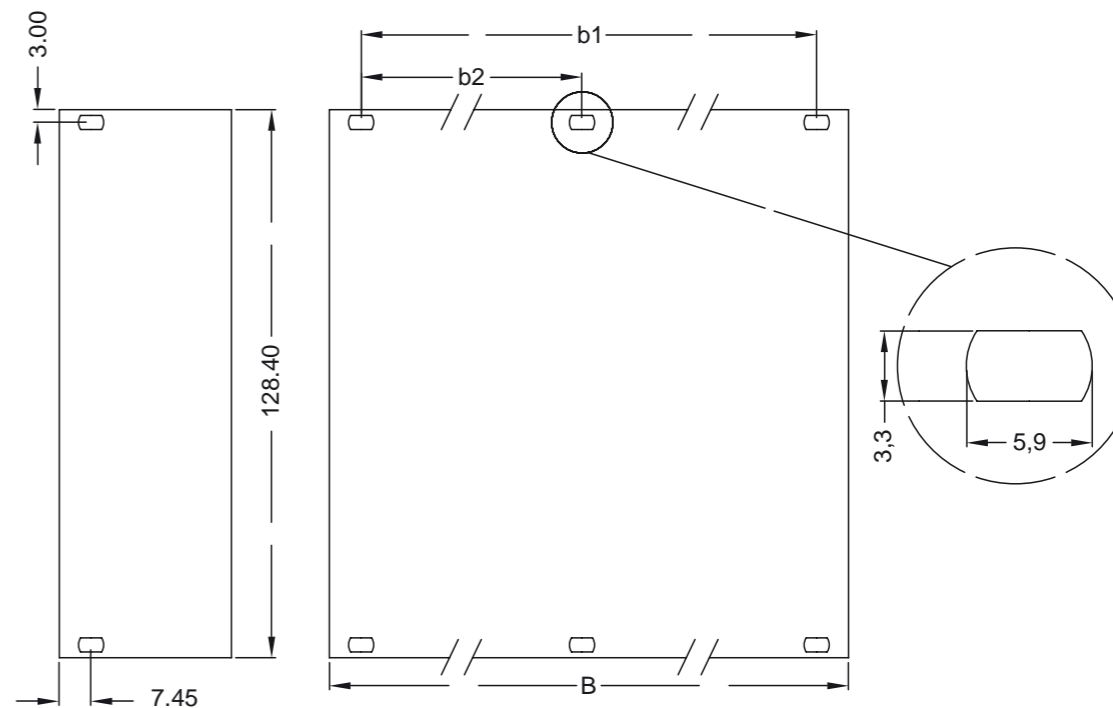


- Sleeves
All types and codes at page 348
- Captive screws
All types and codes at page 349

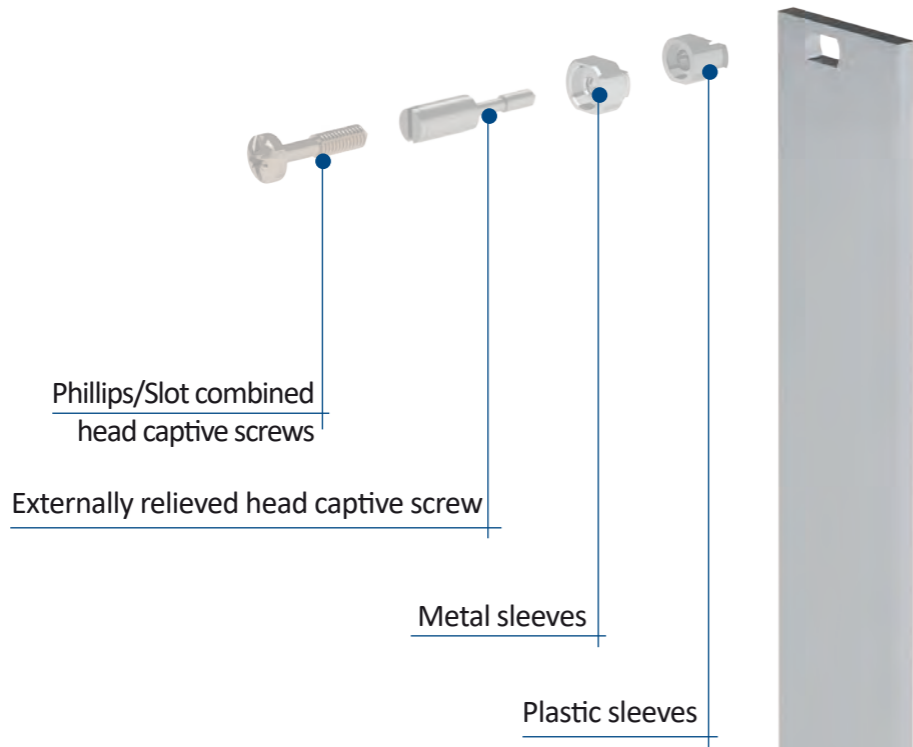
3U blank front panel

Size				Purchase code		
TE	B mm	b1 mm	b2 mm	Anodized natural	Surtec 650	Double treatment*
1	4,76	-	-	0404.0101.0301	0404.0103.0301	0404.0105.0301
2	9,84	-	-	0404.0101.0302	0404.0103.0302	0404.0105.0302
3	14,92	-	-	0404.0101.0303	0404.0103.0303	0404.0105.0303
4	20,00	-	-	0404.0101.0304	0404.0103.0304	0404.0105.0304
5	25,08	-	-	0404.0101.0305	0404.0103.0305	0404.0105.0305
6	30,16	-	-	0404.0101.0306	0404.0103.0306	0404.0105.0306
7	35,24	-	-	0404.0101.0307	0404.0103.0307	0404.0105.0307
8	40,32	25,40	-	0404.0101.0308	0404.0103.0308	0404.0105.0308
9	45,40	30,40	-	0404.0101.0309	0404.0103.0309	0404.0105.0309
10	50,48	35,50	-	0404.0101.0310	0404.0103.0310	0404.0105.0310
11	55,56	40,60	-	0404.0101.0311	0404.0103.0311	0404.0105.0311
12	60,64	45,70	-	0404.0101.0312	0404.0103.0312	0404.0105.0312
13	65,72	50,80	-	0404.0101.0313	0404.0103.0313	0404.0105.0313
14	70,80	55,90	-	0404.0101.0314	0404.0103.0314	0404.0105.0314
15	75,88	60,90	-	0404.0101.0315	0404.0103.0315	0404.0105.0315
16	80,96	66,00	-	0404.0101.0316	0404.0103.0316	0404.0105.0316
17	86,04	71,10	-	0404.0101.0317	0404.0103.0317	0404.0105.0317
18	91,12	76,20	-	0404.0101.0318	0404.0103.0318	0404.0105.0318
19	96,20	81,20	-	0404.0101.0319	0404.0103.0319	0404.0105.0319
20	101,28	86,30	-	0404.0101.0320	0404.0103.0320	0404.0105.0320
21	106,36	91,40	-	0404.0101.0321	0404.0103.0321	0404.0105.0321
28	141,92	127,00	-	0404.0101.0328	0404.0103.0328	0404.0105.0328
42	213,04	198,10	101,60	0404.0101.0342	0404.0103.0342	0404.0105.0342
63	319,72	304,80	157,50	0404.0101.0363	0404.0103.0363	0404.0105.0363
84	426,40	401,50	203,20	0404.0101.0384	0404.0103.0384	0404.0105.0384

Aluminium UNI 5005/1 thickness 2.5 mm smooth surface - Anodized natural - Surtec 650 - Double treatment
 The code only includes the front
 *Anodized front and Surtec 650 rear treatment



6U BLANK FRONT PANEL



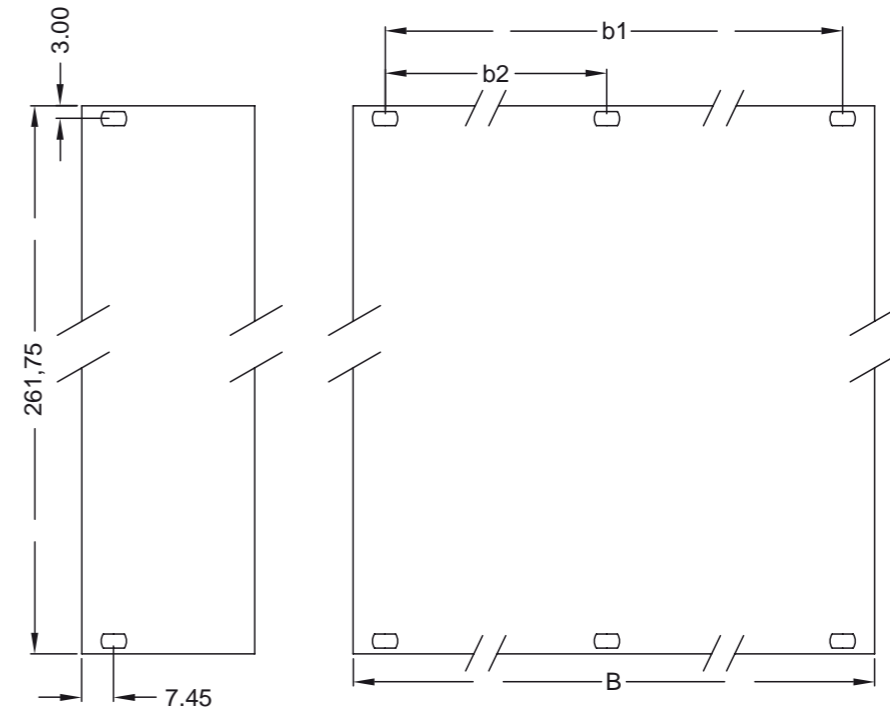
U = Front panel height	
U / HE	mm
6	261,75



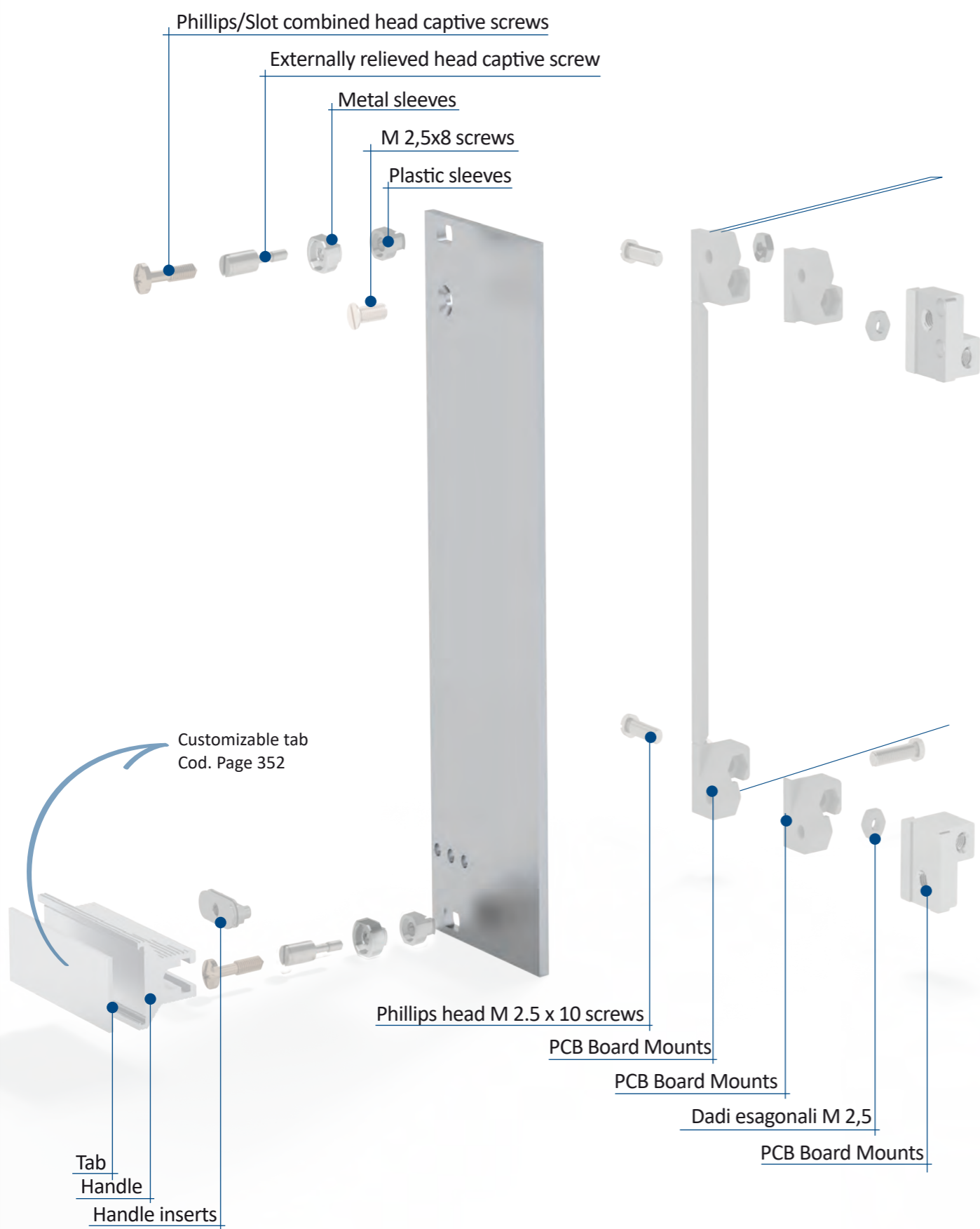
6U blank front panel

TE	Size			Purchase code		
	B mm	b1 mm	b2 mm	Anodized natural	Surtec 650	Double treatment*
1	4,76	-	-	0404.0101.0601	0404.0103.0601	0404.0105.0601
2	9,84	-	-	0404.0101.0602	0404.0103.0602	0404.0105.0602
3	14,92	-	-	0404.0101.0603	0404.0103.0603	0404.0105.0603
4	20,00	-	-	0404.0101.0604	0404.0103.0604	0404.0105.0604
5	25,08	-	-	0404.0101.0605	0404.0103.0605	0404.0105.0605
6	30,16	-	-	0404.0101.0606	0404.0103.0606	0404.0105.0606
7	35,24	-	-	0404.0101.0607	0404.0103.0607	0404.0105.0607
8	40,32	25,40	-	0404.0101.0608	0404.0103.0608	0404.0105.0608
9	45,40	30,40	-	0404.0101.0609	0404.0103.0609	0404.0105.0609
10	50,48	35,50	-	0404.0101.0610	0404.0103.0610	0404.0105.0610
11	55,56	40,60	-	0404.0101.0611	0404.0103.0611	0404.0105.0611
12	60,64	45,70	-	0404.0101.0612	0404.0103.0612	0404.0105.0612
13	65,72	50,80	-	0404.0101.0613	0404.0103.0613	0404.0105.0613
14	70,80	55,90	-	0404.0101.0614	0404.0103.0614	0404.0105.0614
15	75,88	60,90	-	0404.0101.0615	0404.0103.0615	0404.0105.0615
16	80,96	66,00	-	0404.0101.0616	0404.0103.0616	0404.0105.0616
17	86,04	71,10	-	0404.0101.0617	0404.0103.0617	0404.0105.0617
18	91,12	76,20	-	0404.0101.0618	0404.0103.0618	0404.0105.0618
19	96,20	81,20	-	0404.0101.0619	0404.0103.0619	0404.0105.0619
20	101,28	86,30	-	0404.0101.0620	0404.0103.0620	0404.0105.0620
21	106,36	91,40	-	0404.0101.0621	0404.0103.0621	0404.0105.0621
28	141,92	127,00	-	0404.0101.0628	0404.0103.0628	0404.0105.0628
42	213,04	198,10	101,60	0404.0101.0642	0404.0103.0642	0404.0105.0642
63	319,72	304,80	157,50	0404.0101.0663	0404.0103.0663	0404.0105.0663
84	426,40	401,50	203,20	0404.0101.0684	0404.0103.0684	0404.0105.0684

Aluminium UNI 5005/1 thickness 2.5 mm smooth surface - Anodized natural - Surtec 650 - Double treatment
 The code only includes the front
 *Anodized front and Surtec 650 rear treatment



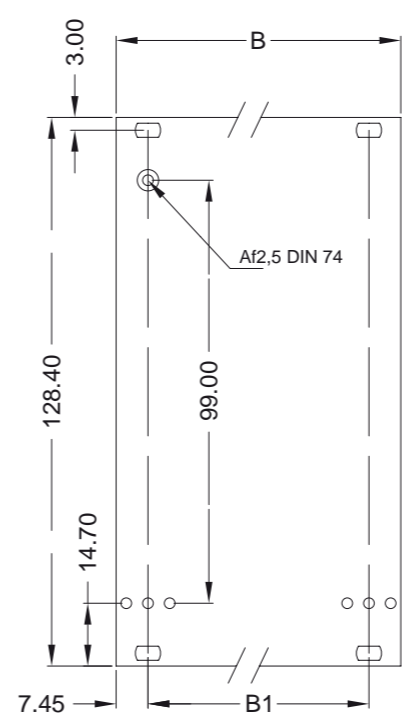
3U FRONT PANEL FOR PCBs AND HANDLES



3U front panel for PCBs and handles

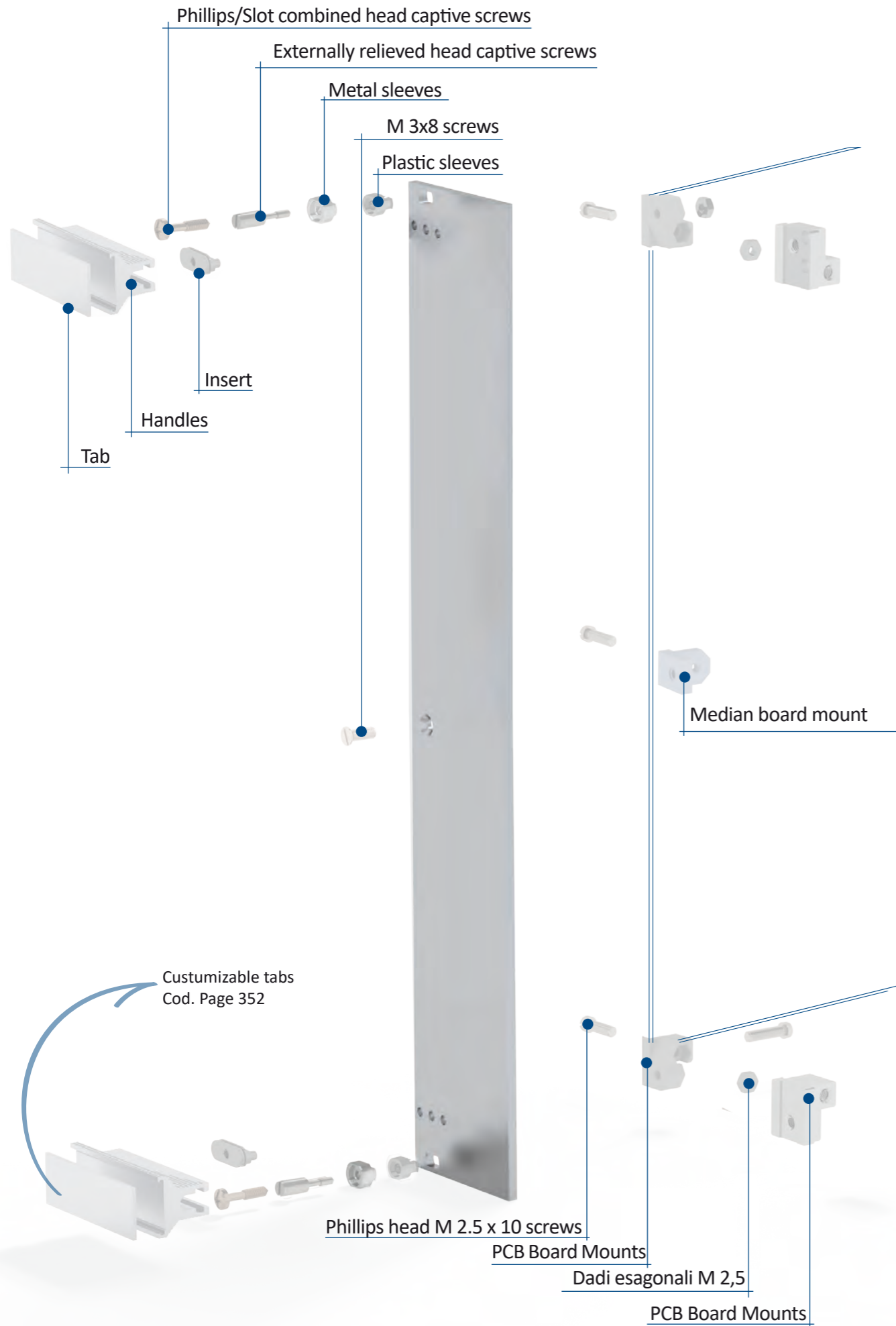
Size			Purchase code		
TE	B mm	b1 mm	Anodized natural	Surtec 650	Double treatment*
3	14,92	-	0404.0301.0303	0404.0303.0303	0404.0305.0303
4	20,00	-	0404.0301.0304	0404.0303.0304	0404.0305.0304
5	25,08	-	0404.0301.0305	0404.0303.0305	0404.0305.0305
6	30,16	-	0404.0301.0306	0404.0303.0306	0404.0305.0306
7	35,24	-	0404.0301.0307	0404.0303.0307	0404.0305.0307
8	40,32	25,40	0404.0301.0308	0404.0303.0308	0404.0305.0308
9	45,40	30,40	0404.0301.0309	0404.0303.0309	0404.0305.0309
10	50,48	35,50	0404.0301.0310	0404.0303.0310	0404.0305.0310
11	55,56	40,60	0404.0301.0311	0404.0303.0311	0404.0305.0311
12	60,64	45,70	0404.0301.0312	0404.0303.0312	0404.0305.0312
13	65,72	50,80	0404.0301.0313	0404.0303.0313	0404.0305.0313
14	70,80	55,90	0404.0301.0314	0404.0303.0314	0404.0305.0314
15	75,88	60,90	0404.0301.0315	0404.0303.0315	0404.0305.0315
16	80,96	66,00	0404.0301.0316	0404.0303.0316	0404.0305.0316

Aluminium UNI 5005/1 thickness 2.5 mm smooth surface - Anodized natural - Surtec 650 - Double treatment
 The code only includes the front
 *Anodized front and Surtec 650 rear treatment



- Sleeves
All types and codes at page 348
- Captive screws
All types and codes at page 349
- PCB Board Mounts
All types and codes at page 355
- Handles
All types and codes at page 350
- Screws and washers
All types and codes at page 349
- Insert
All types and codes at page 348
- Tab
All types and codes at page 352

6U FRONT PANEL FOR PCBs AND HANDLES



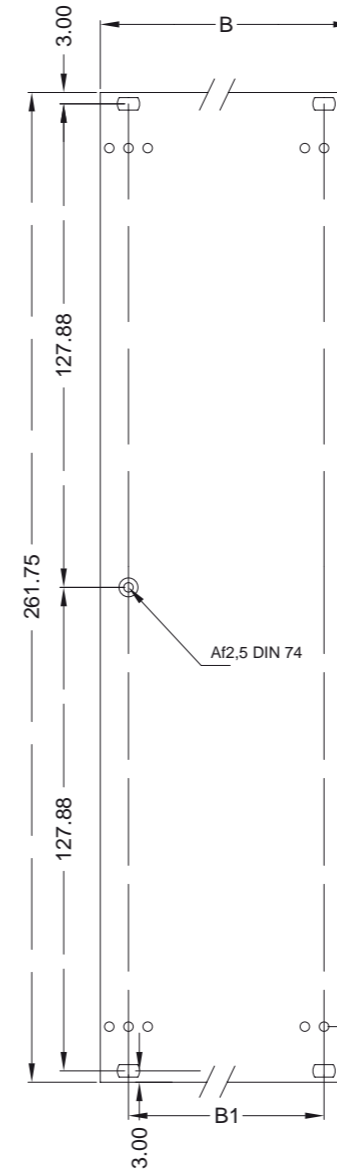
6U front panel for PCBs and handles

Size			Purchase code		
TE	B mm	b1 mm	Anodized natural	Surtec 650	Double treatment*
3	14,92	-	0404.0301.0603	0404.0303.0603	0404.0305.0603
4	20,00	-	0404.0301.0604	0404.0303.0604	0404.0305.0604
5	25,08	-	0404.0301.0605	0404.0303.0605	0404.0305.0605
6	30,16	-	0404.0301.0606	0404.0303.0606	0404.0305.0606
7	35,24	-	0404.0301.0607	0404.0303.0607	0404.0305.0607
8	40,32	25,40	0404.0301.0608	0404.0303.0608	0404.0305.0608
9	45,40	30,40	0404.0301.0609	0404.0303.0609	0404.0305.0609
10	50,48	35,50	0404.0301.0610	0404.0303.0610	0404.0305.0610
11	55,56	40,60	0404.0301.0611	0404.0303.0611	0404.0305.0611
12	60,64	45,70	0404.0301.0612	0404.0303.0612	0404.0305.0612
13	65,72	50,80	0404.0301.0613	0404.0303.0613	0404.0305.0613
14	70,80	55,90	0404.0301.0614	0404.0303.0614	0404.0305.0614
15	75,88	60,90	0404.0301.0615	0404.0303.0615	0404.0305.0615
16	80,96	66,00	0404.0301.0616	0404.0303.0616	0404.0305.0616

Aluminium UNI 5005/1 thickness 2.5 mm smooth surface - Anodized natural - Surtec 650 - Double treatment

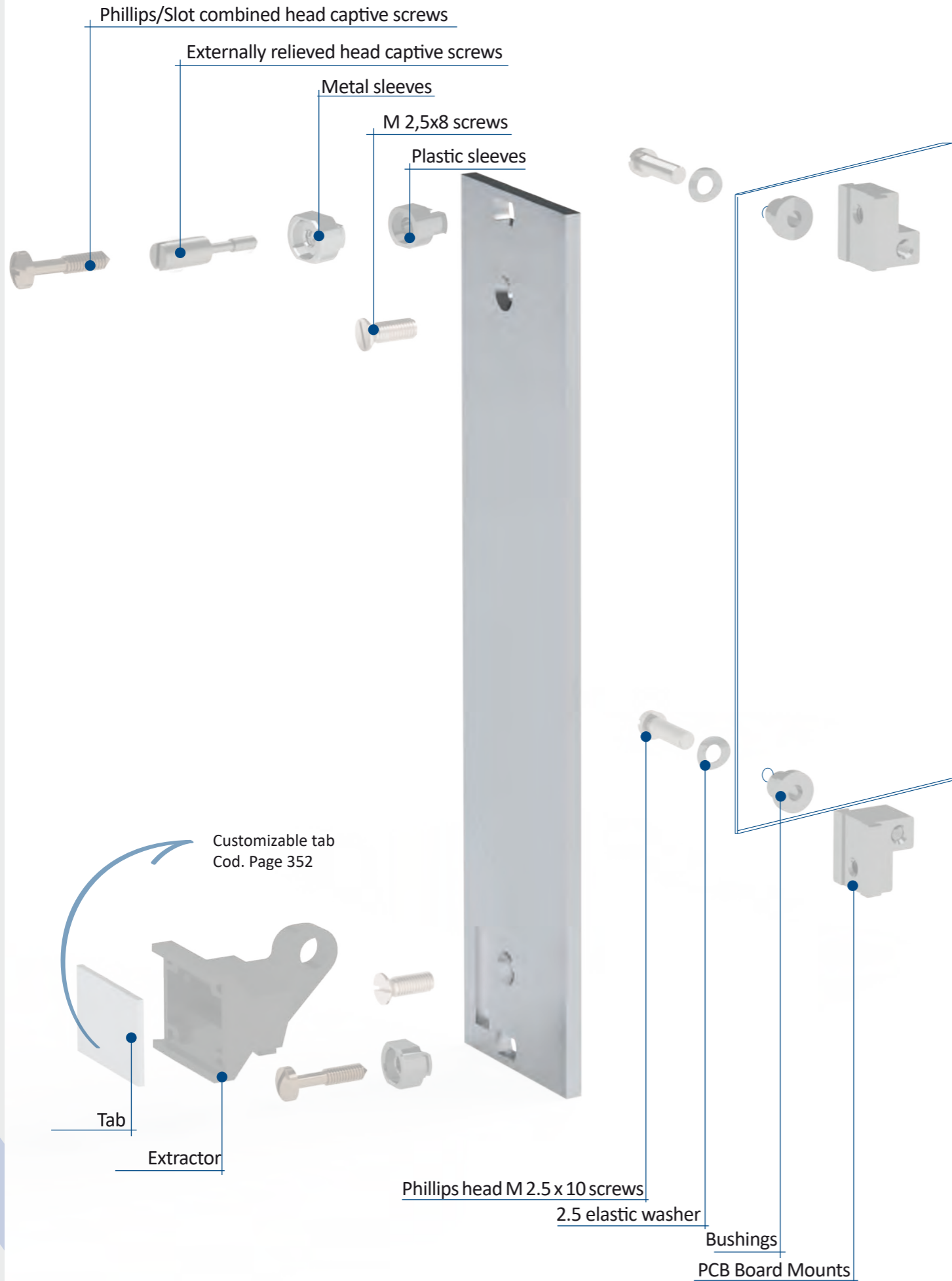
The code only includes the front

*Anodized front and Surtec 650 rear treatment



- Sleeves**
All types and codes at page 348
- Captive screws**
All types and codes at page 349
- PCB Board Mounts**
All types and codes at page 355
- Handles**
All types and codes at page 350
- Screws and washers**
All types and codes at page 349
- Insert**
All types and codes at page 348
- Tab**
All types and codes at page 352

3U FRONT PANEL FOR 1 EXTRACTOR



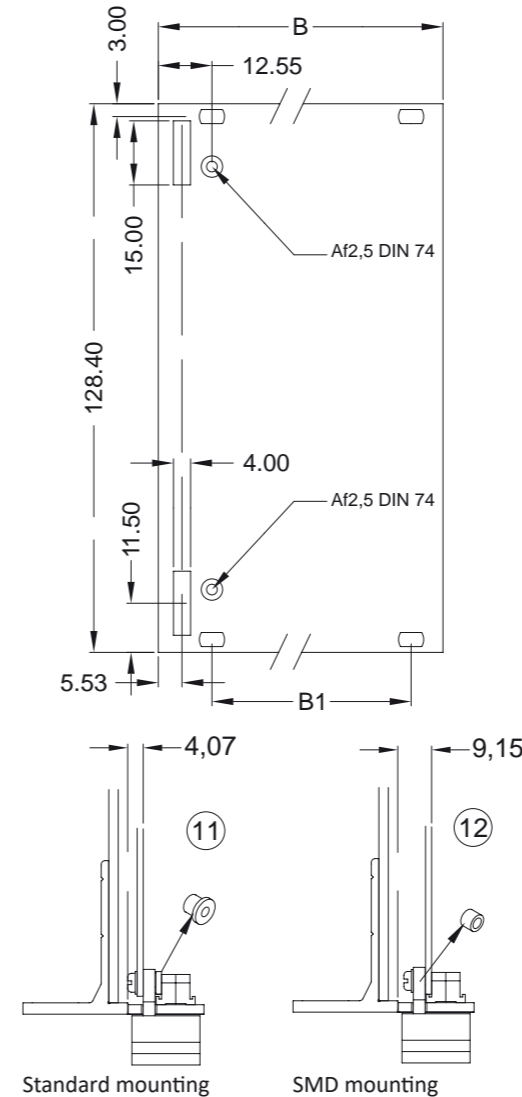
3U front panel for extractor

Size			Purchase code		
TE	B mm	b1 mm	Anodized natural	Surtec 650	Double treatment*
3	14,92	-	0404.0401.0303	0404.0403.0303	0404.0405.0303
4	20,00	-	0404.0401.0304	0404.0403.0304	0404.0405.0304
5	25,08	-	0404.0401.0305	0404.0403.0305	0404.0405.0305
6	30,16	-	0404.0401.0306	0404.0403.0306	0404.0405.0306
7	35,24	-	0404.0401.0307	0404.0403.0307	0404.0405.0307
8	40,32	25,40	0404.0401.0308	0404.0403.0308	0404.0405.0308
9	45,40	30,40	0404.0401.0309	0404.0403.0309	0404.0405.0309
10	50,48	35,50	0404.0401.0310	0404.0403.0310	0404.0405.0310
11	55,56	40,60	0404.0401.0311	0404.0403.0311	0404.0405.0311
12	60,64	45,70	0404.0401.0312	0404.0403.0312	0404.0405.0312
13	65,72	50,80	0404.0401.0313	0404.0403.0313	0404.0405.0313
14	70,80	55,90	0404.0401.0314	0404.0403.0314	0404.0405.0314
15	75,88	60,90	0404.0401.0315	0404.0403.0315	0404.0405.0315
16	80,96	66,00	0404.0401.0316	0404.0403.0316	0404.0405.0316

Aluminium UNI 5005/1 thickness 2.5 mm smooth surface - Anodized natural - Surtec 650 - Double treatment

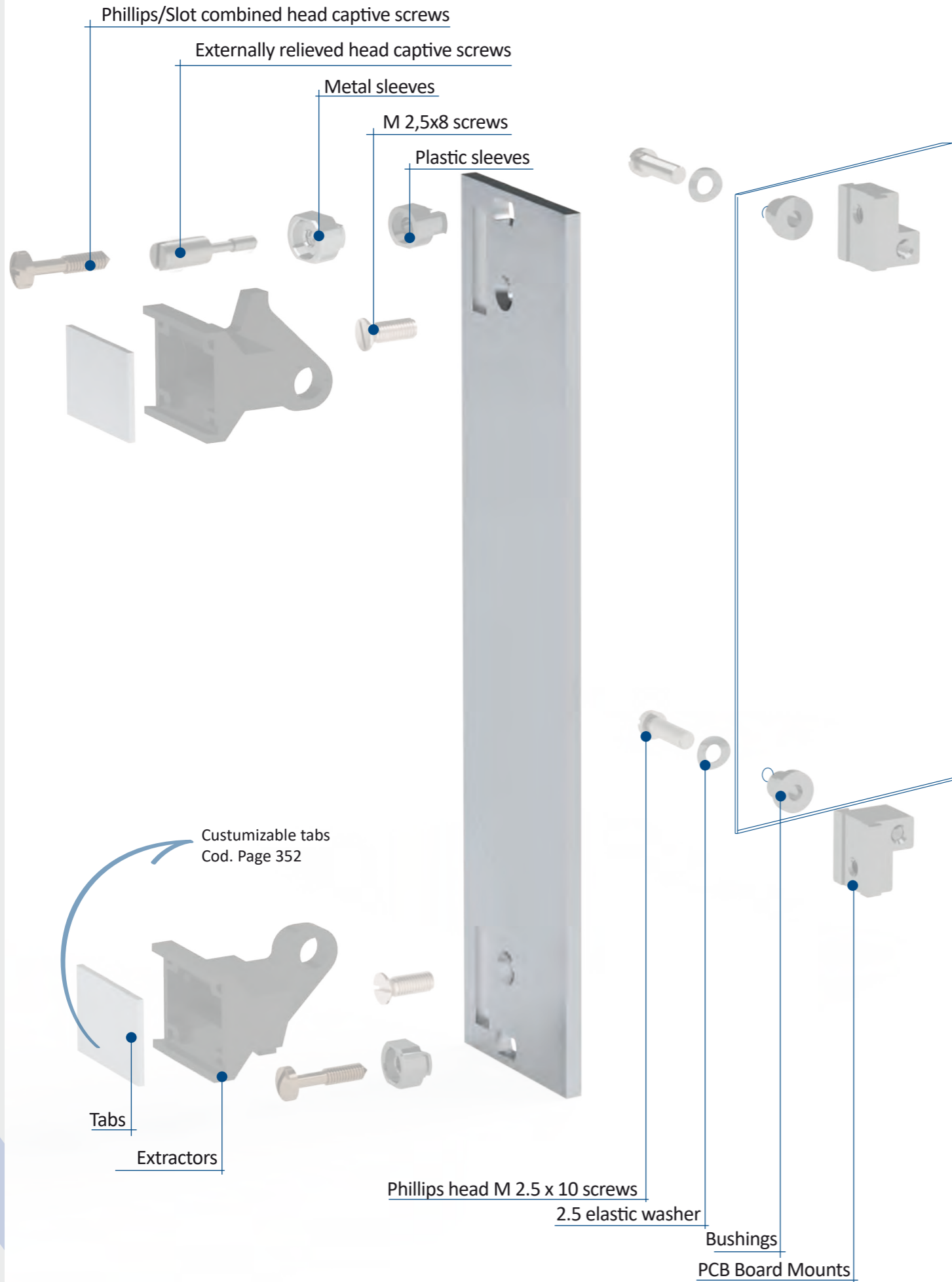
The code only includes the front

*Anodized front and Surtec 650 rear treatment



-   Sleeves
All types and codes at page 348
-   Captive screws
All types and codes at page 349
-   PCB Board Mounts
All types and codes at page 355
-   Extractors
All types and codes at page 352
-   Screws and washers
All types and codes at page 349
-   Tab
All types and codes at page 352
-   Bushings
All types and codes at page 348

3U FRONT PANEL FOR EXTRACTORS



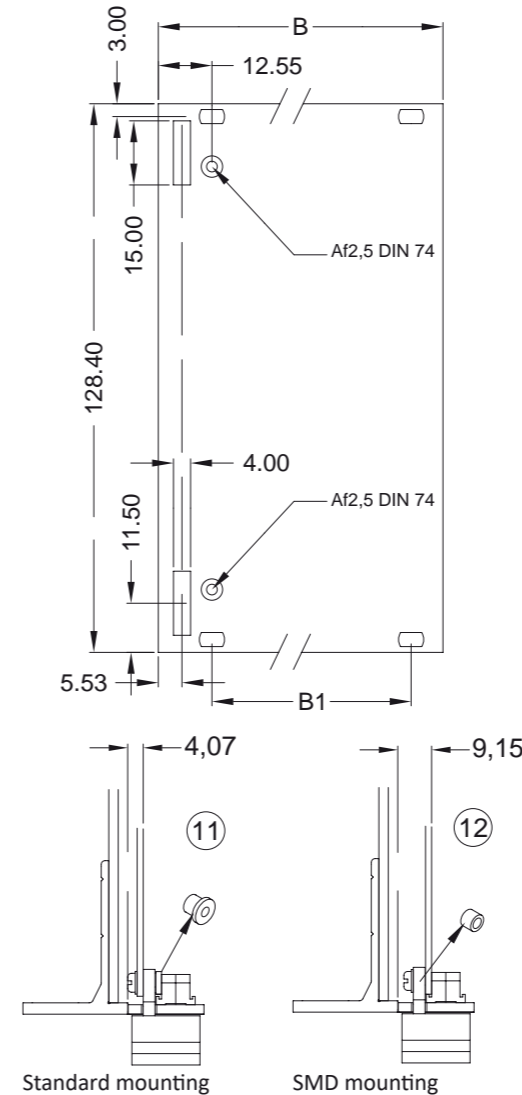
3U Front panel for extractors

Size			Purchase code		
TE	B mm	b1 mm	Anodized natural	Surtec 650	Double treatment*
3	14,92	-	0404.0501.0303	0404.0503.0303	0404.0505.0303
4	20,00	-	0404.0501.0304	0404.0503.0304	0404.0505.0304
5	25,08	-	0404.0501.0305	0404.0503.0305	0404.0505.0305
6	30,16	-	0404.0501.0306	0404.0503.0306	0404.0505.0306
7	35,24	-	0404.0501.0307	0404.0503.0307	0404.0505.0307
8	40,32	25,40	0404.0501.0308	0404.0503.0308	0404.0505.0308
9	45,40	30,40	0404.0501.0309	0404.0503.0309	0404.0505.0309
10	50,48	35,50	0404.0501.0310	0404.0503.0310	0404.0505.0310
11	55,56	40,60	0404.0501.0311	0404.0503.0311	0404.0505.0311
12	60,64	45,70	0404.0501.0312	0404.0503.0312	0404.0505.0312
13	65,72	50,80	0404.0501.0313	0404.0503.0313	0404.0505.0313
14	70,80	55,90	0404.0501.0314	0404.0503.0314	0404.0505.0314
15	75,88	60,90	0404.0501.0315	0404.0503.0315	0404.0505.0315
16	80,96	66,00	0404.0501.0316	0404.0503.0316	0404.0505.0316

Aluminium UNI 5005/1 thickness 2.5 mm smooth surface - Anodized natural - Surtec 650 - Double treatment

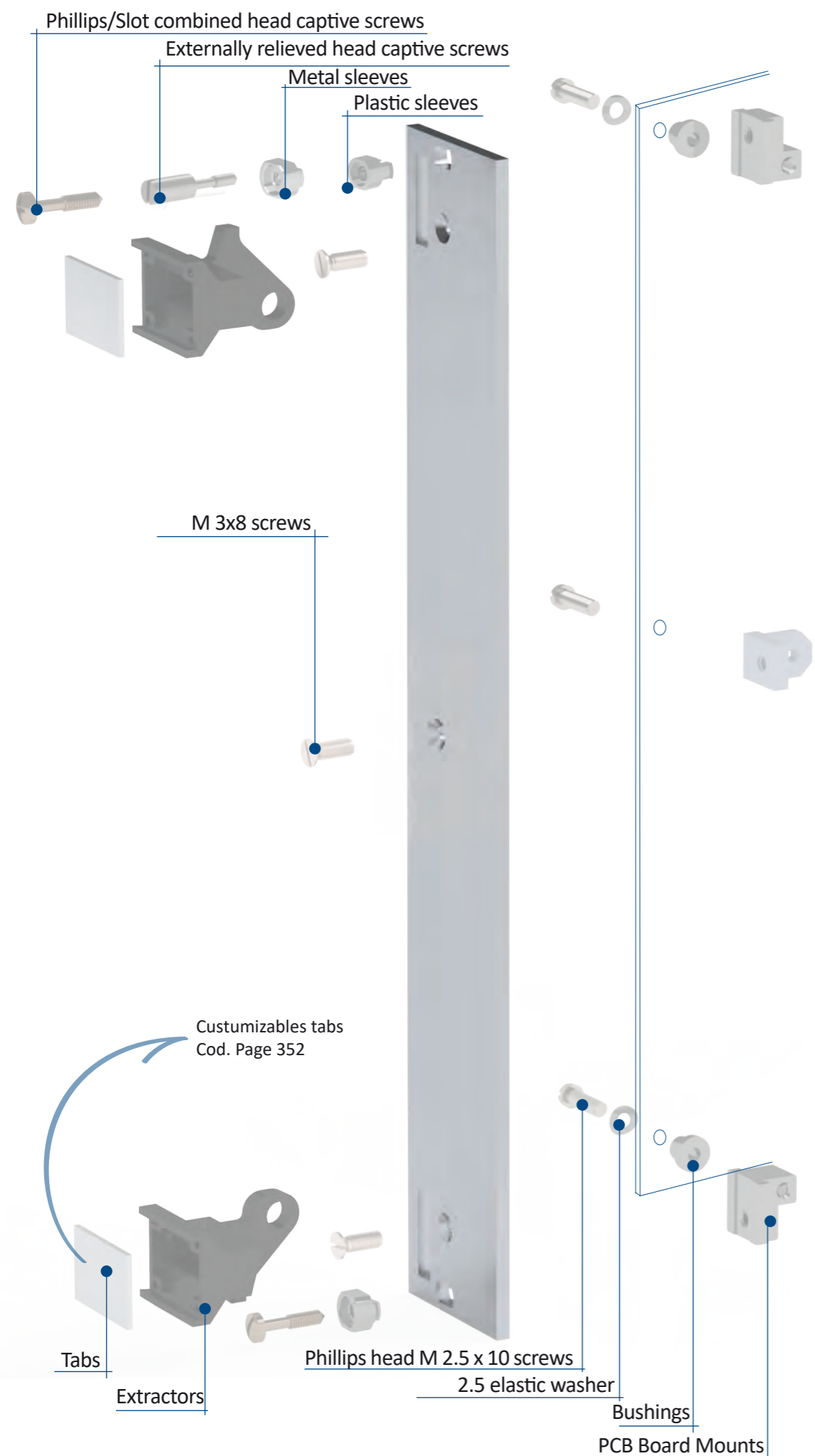
The code only includes the front

*Anodized front and Surtec 650 rear treatment



-  **Sleeves**
All types and codes at page 348
-  **Captive screws**
All types and codes at page 349
-  **PCB Board Mounts**
All types and codes at page 355
-  **Extractors**
All types and codes at page 352
-  **Screws and washers**
All types and codes at page 349
-  **Tab**
All types and codes at page 352
-  **Bushings**
All types and codes at page 348

6U FRONT PANEL FOR EXTRACTORS



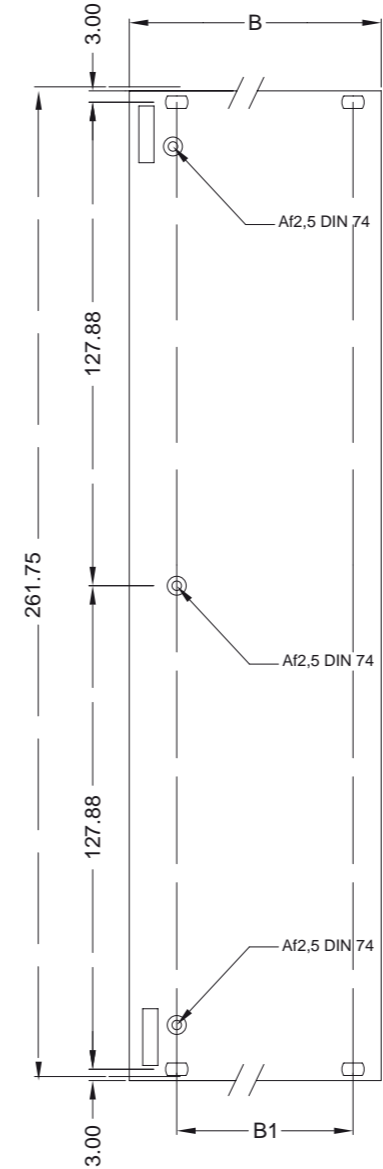
6U front panel for extractors

Size			Purchase code		
TE	B mm	b1 mm	Anodized natural	Surtec 650	Double treatment*
3	14,92	-	0404.0501.0603	0404.0503.0603	0404.0505.0603
4	20,00	-	0404.0501.0604	0404.0503.0604	0404.0505.0604
5	25,08	-	0404.0501.0605	0404.0503.0605	0404.0505.0605
6	30,16	-	0404.0501.0606	0404.0503.0606	0404.0505.0606
7	35,24	-	0404.0501.0607	0404.0503.0607	0404.0505.0607
8	40,32	25,40	0404.0501.0608	0404.0503.0608	0404.0505.0608
9	45,40	30,40	0404.0501.0609	0404.0503.0609	0404.0505.0609
10	50,48	35,50	0404.0501.0610	0404.0503.0610	0404.0505.0610
11	55,56	40,60	0404.0501.0611	0404.0503.0611	0404.0505.0611
12	60,64	45,70	0404.0501.0612	0404.0503.0612	0404.0505.0612
13	65,72	50,80	0404.0501.0613	0404.0503.0613	0404.0505.0613
14	70,80	55,90	0404.0501.0614	0404.0503.0614	0404.0505.0614
15	75,88	60,90	0404.0501.0615	0404.0503.0615	0404.0505.0615
16	80,96	66,00	0404.0501.0616	0404.0503.0616	0404.0505.0616

Aluminium UNI 5005/1 thickness 2.5 mm smooth surface - Anodized natural - Surtec 650 - Double treatment

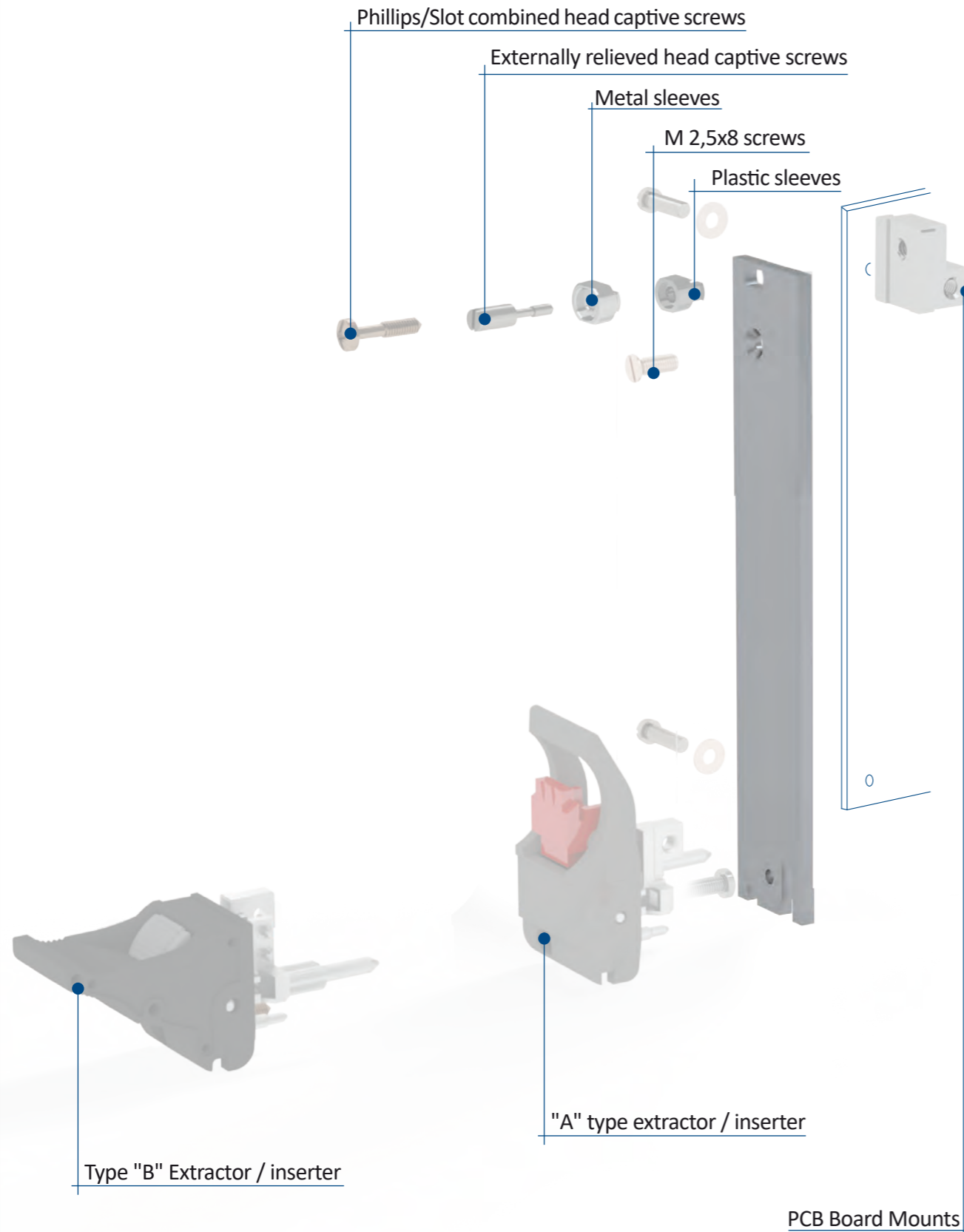
The code only includes the front

*Anodized front and Surtec 650 rear treatment



- Sleeves
All types and codes at page 348
- Captive screws
All types and codes at page 349
- PCB Board Mounts
All types and codes at page 355
- Extractors
All types and codes at page 352
- Screws and washers
All types and codes at page 349
- Tab
All types and codes at page 352
- Bushings
All types and codes at page 348

3U FRONT PANELS FOR "A" AND "B" TYPE EXTRACTORS AND INSERTORS



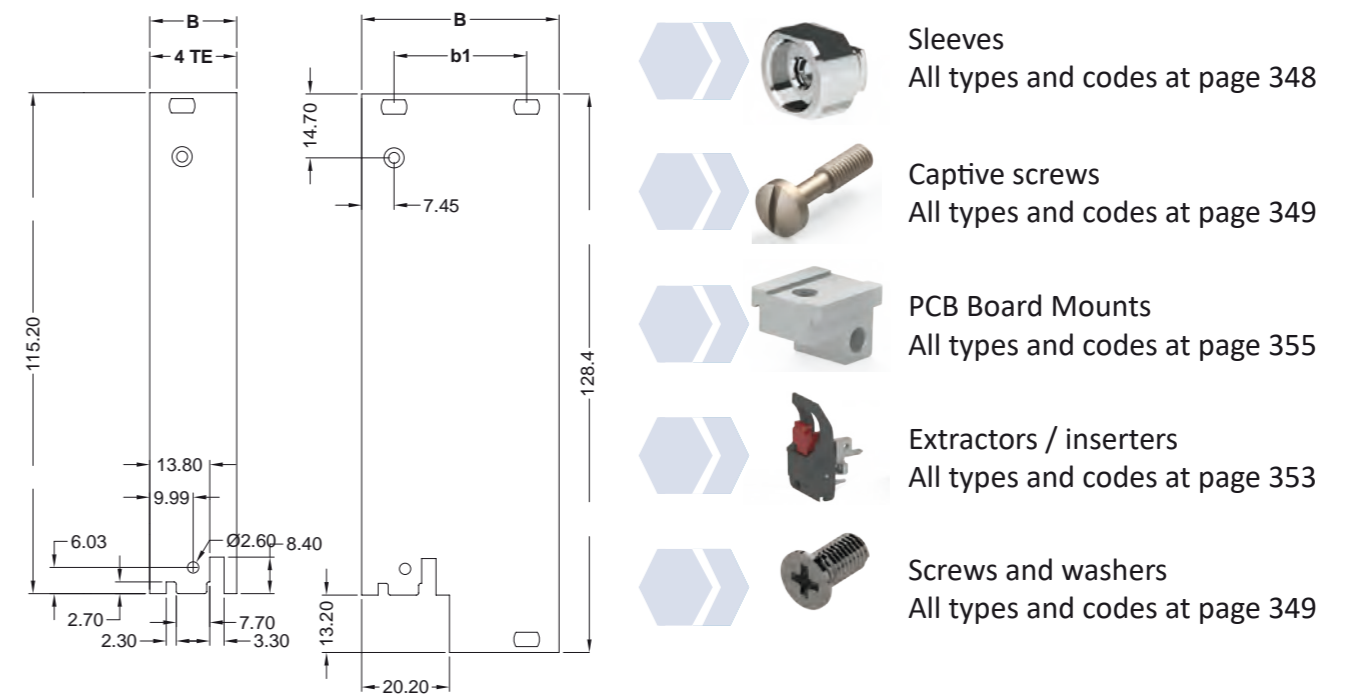
3U Front panel for "A" and "B" type extractors

Size			Purchase code		
TE	B mm	b1 mm	Anodized natural	Surtec 650	Double treatment*
4	20,00	-	0404.1001.0304	0404.1003.0304	0404.1005.0304
5	25,08	-	0404.1001.0305	0404.1003.0305	0404.1005.0305
6	30,16	-	0404.1001.0306	0404.1003.0306	0404.1005.0306
7	35,24	-	0404.1001.0307	0404.1003.0307	0404.1005.0307
8	40,32	25,40	0404.1001.0308	0404.1003.0308	0404.1005.0308
9	45,40	30,40	0404.1001.0309	0404.1003.0309	0404.1005.0309
10	50,48	35,50	0404.1001.0310	0404.1003.0310	0404.1005.0310
11	55,56	40,60	0404.1001.0311	0404.1003.0311	0404.1005.0311
12	60,64	45,70	0404.1001.0312	0404.1003.0312	0404.1005.0312
13	65,72	50,80	0404.1001.0313	0404.1003.0313	0404.1005.0313
14	70,80	55,90	0404.1001.0314	0404.1003.0314	0404.1005.0314
15	75,88	60,90	0404.1001.0315	0404.1003.0315	0404.1005.0315
16	80,96	66,00	0404.1001.0316	0404.1003.0316	0404.1005.0316

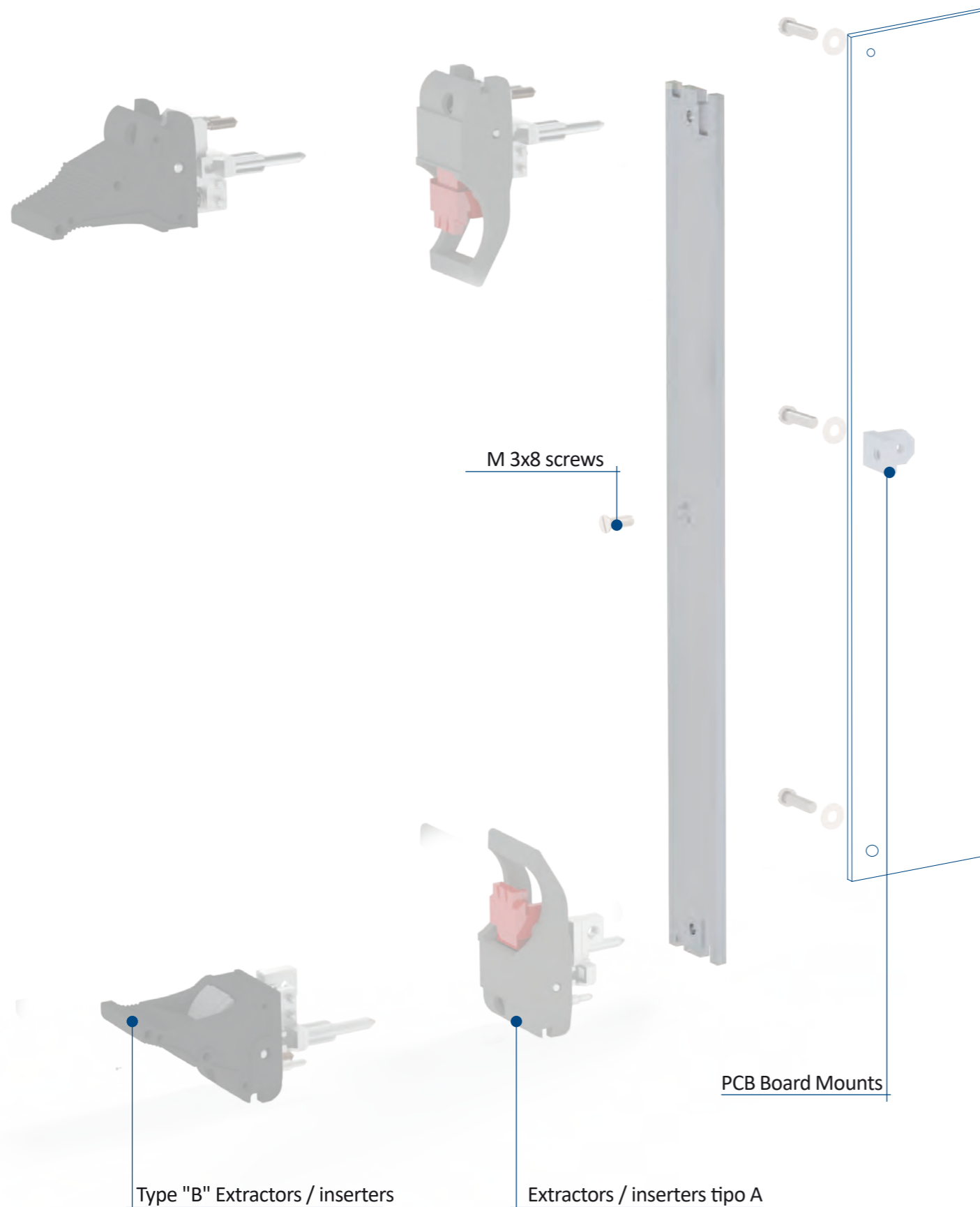
Aluminium UNI 5005/1 thickness 2.5 mm smooth surface - Anodized natural - Surtec 650 - Double treatment

The code only includes the front

*Anodized front and Surtec 650 rear treatment



6U FRONT PANELS FOR "A" AND "B" TYPE EXTRACTORS AND INSERTORS



Type "B" Extractors / inserters

Extractors / inserters tipo A

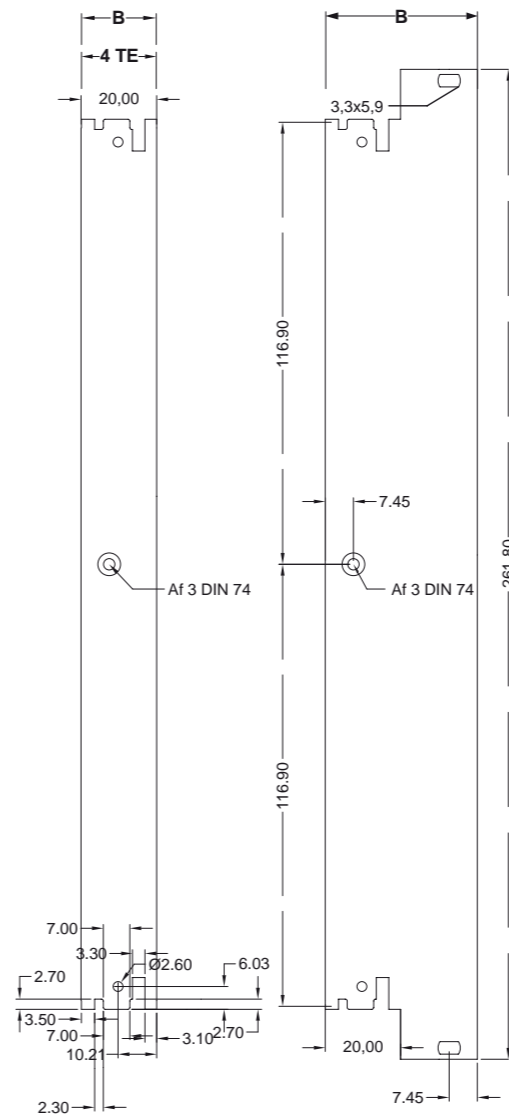
6U front panel for "A" and "B" type extractors






Size		Purchase code		
TE	B mm	Anodized natural	Surtec 650	Double treatment*
4	20,00	0404.1001.0604	0404.1003.0604	0404.1005.0604
5	25,08	0404.1001.0605	0404.1003.0605	0404.1005.0605
6	30,16	0404.1001.0606	0404.1003.0606	0404.1005.0606
7	35,24	0404.1001.0607	0404.1003.0607	0404.1005.0607
8	40,32	0404.1001.0608	0404.1003.0608	0404.1005.0608
9	45,40	0404.1001.0609	0404.1003.0609	0404.1005.0609
10	50,48	0404.1001.0610	0404.1003.0610	0404.1005.0610
11	55,56	0404.1001.0611	0404.1003.0611	0404.1005.0611
12	60,64	0404.1001.0612	0404.1003.0612	0404.1005.0612
13	65,72	0404.1001.0613	0404.1003.0613	0404.1005.0613
14	70,80	0404.1001.0614	0404.1003.0614	0404.1005.0614
15	75,88	0404.1001.0615	0404.1003.0615	0404.1005.0615
16	80,96	0404.1001.0616	0404.1003.0616	0404.1005.0616

Aluminium UNI 5005/1 thickness 2.5 mm smooth surface - Anodized natural - Surtec 650 - Double treatment

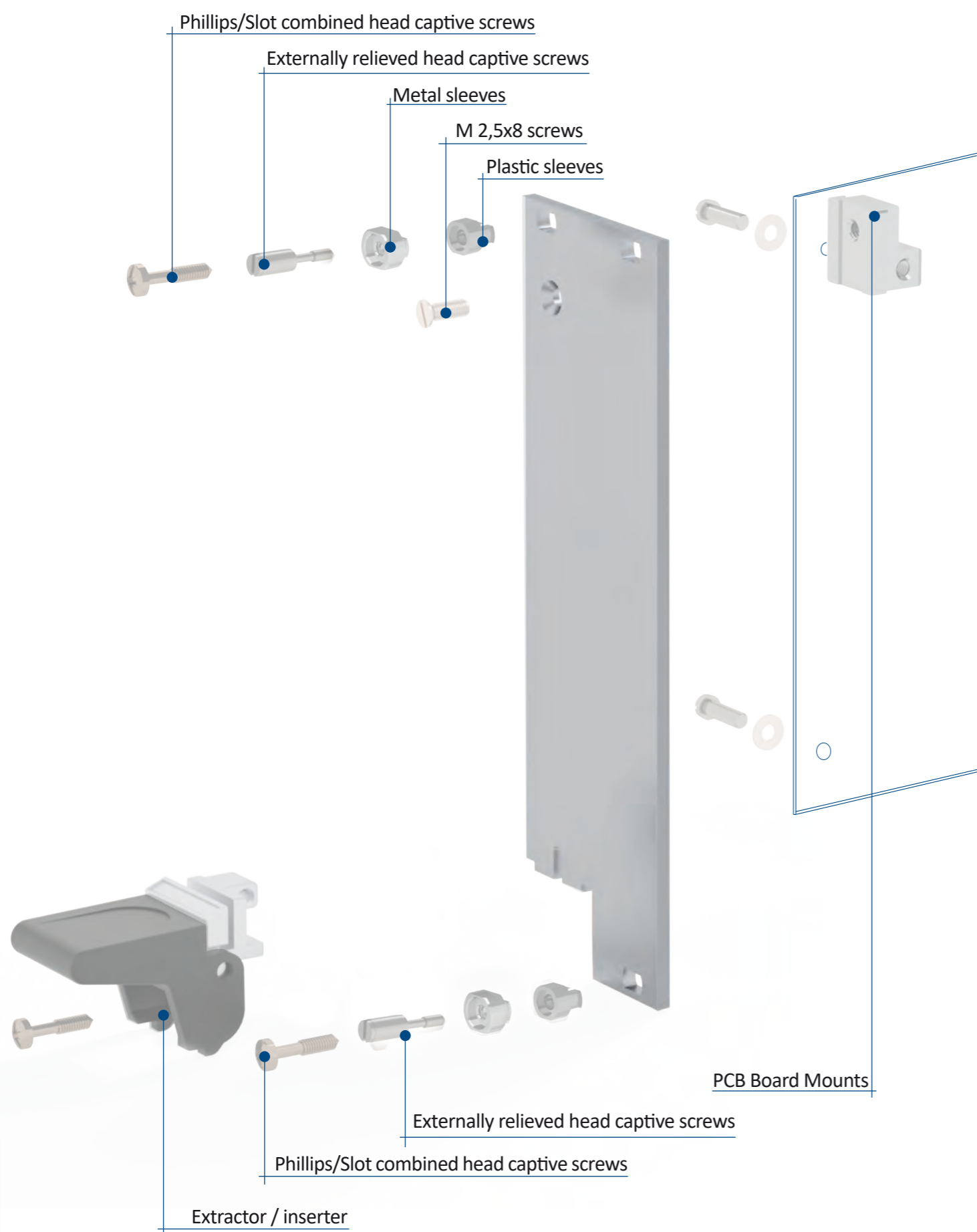
The code only includes the front

*Anodized front and Surtec 650 rear treatment



-  **Sleeves**
All types and codes at page 348
-  **Captive screws**
All types and codes at page 349
-  **PCB Board Mounts**
All types and codes at page 355
-  **Extractors / inserters**
All types and codes at page 353
-  **Screws and washers**
All types and codes at page 349

3U FRONT PANELS FOR "C" TYPE EXTRACTORS AND INSERTORS



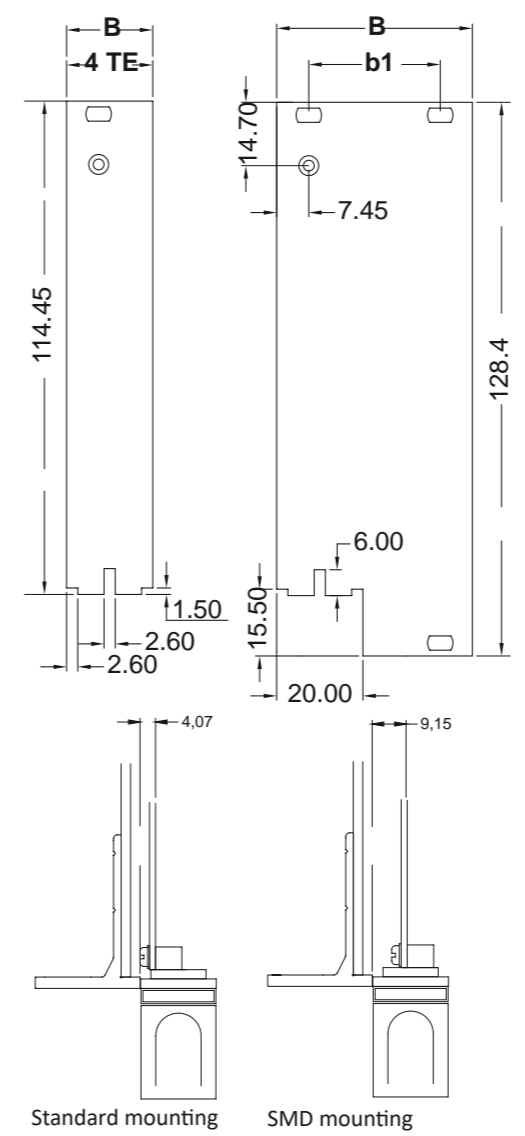
3U Front panel for "C" type extractors

Size			Purchase code		
TE	B mm	b1 mm	Anodized natural	Surtec 650	Double treatment*
4	20,00	-	0404.0601.0304	0404.0603.0304	0404.0605.0304
5	25,08	-	0404.0601.0305	0404.0603.0305	0404.0605.0305
6	30,16	-	0404.0601.0306	0404.0603.0306	0404.0605.0306
7	35,24	-	0404.0601.0307	0404.0603.0307	0404.0605.0307
8	40,32	25,40	0404.0601.0308	0404.0603.0308	0404.0605.0308
9	45,40	30,40	0404.0601.0309	0404.0603.0309	0404.0605.0309
10	50,48	35,50	0404.0601.0310	0404.0603.0310	0404.0605.0310
11	55,56	40,60	0404.0601.0311	0404.0603.0311	0404.0605.0311
12	60,64	45,70	0404.0601.0312	0404.0603.0312	0404.0605.0312
13	65,72	50,80	0404.0601.0313	0404.0603.0313	0404.0605.0313
14	70,80	55,90	0404.0601.0314	0404.0603.0314	0404.0605.0314
15	75,88	60,90	0404.0601.0315	0404.0603.0315	0404.0605.0315
16	80,96	66,00	0404.0601.0316	0404.0603.0316	0404.0605.0316

Aluminium UNI 5005/1 thickness 2.5 mm smooth surface - Anodized natural - Surtec 650 - Double treatment

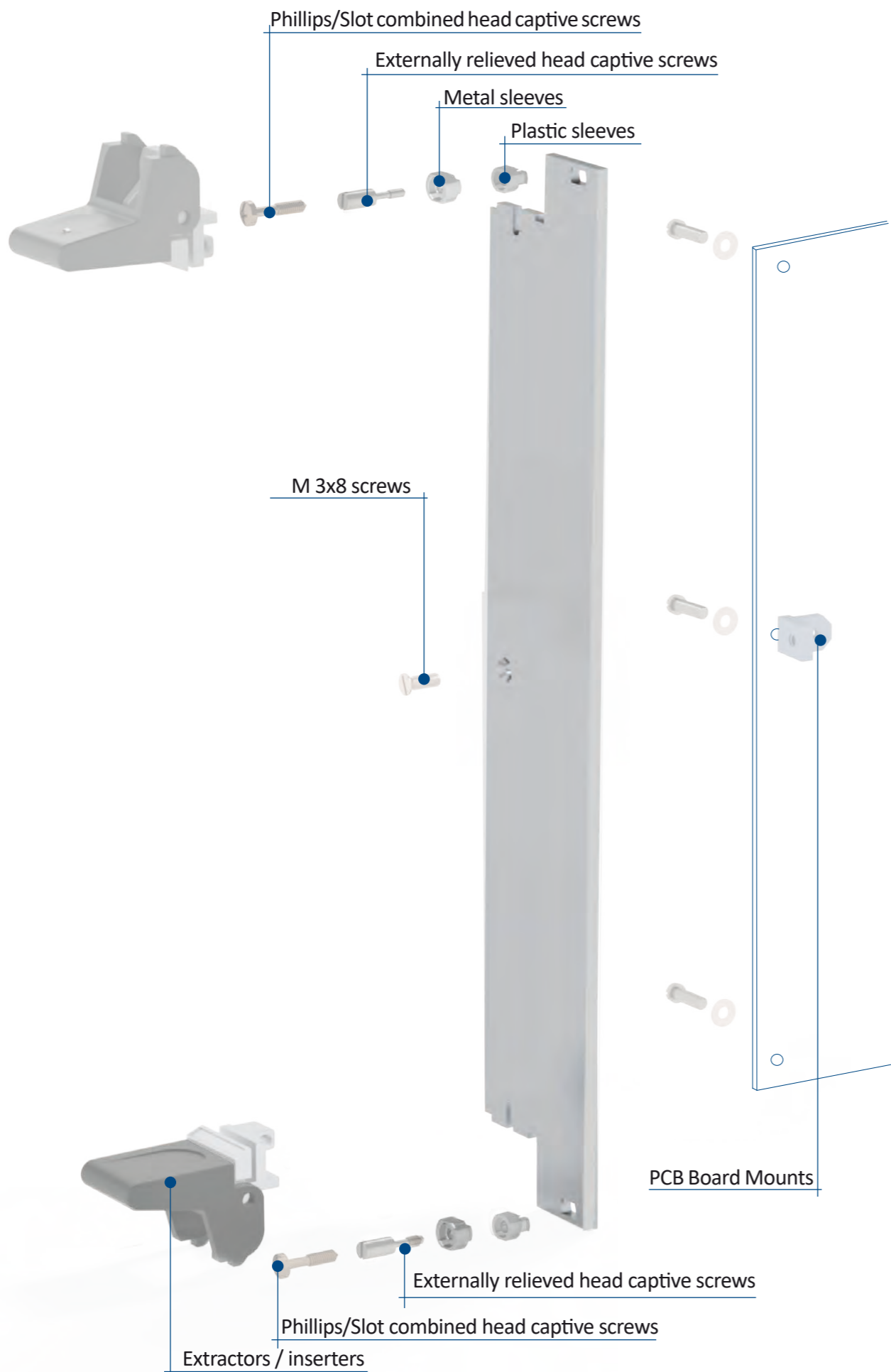
The code only includes the front

*Anodized front and Surtec 650 rear treatment



- Sleeves
All types and codes at page 348
- Captive screws
All types and codes at page 349
- PCB Board Mounts
All types and codes at page 355
- Extractors / inserters
All types and codes at page 353
- Screws and washers
All types and codes at page 349

6U FRONT PANELS FOR "C" TYPE EXTRACTORS AND INSERTORS



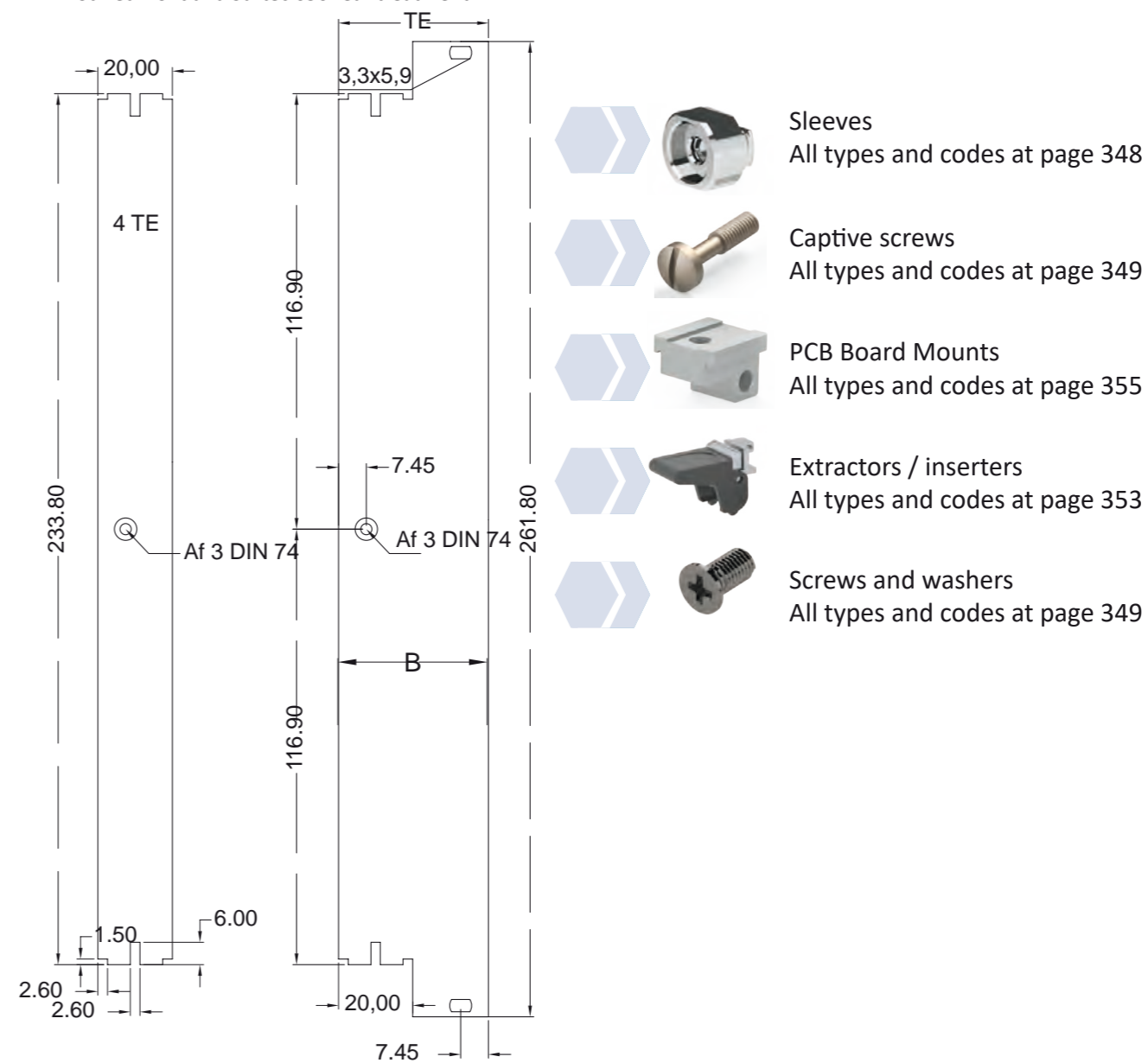
6U front panel for "C" type extractors

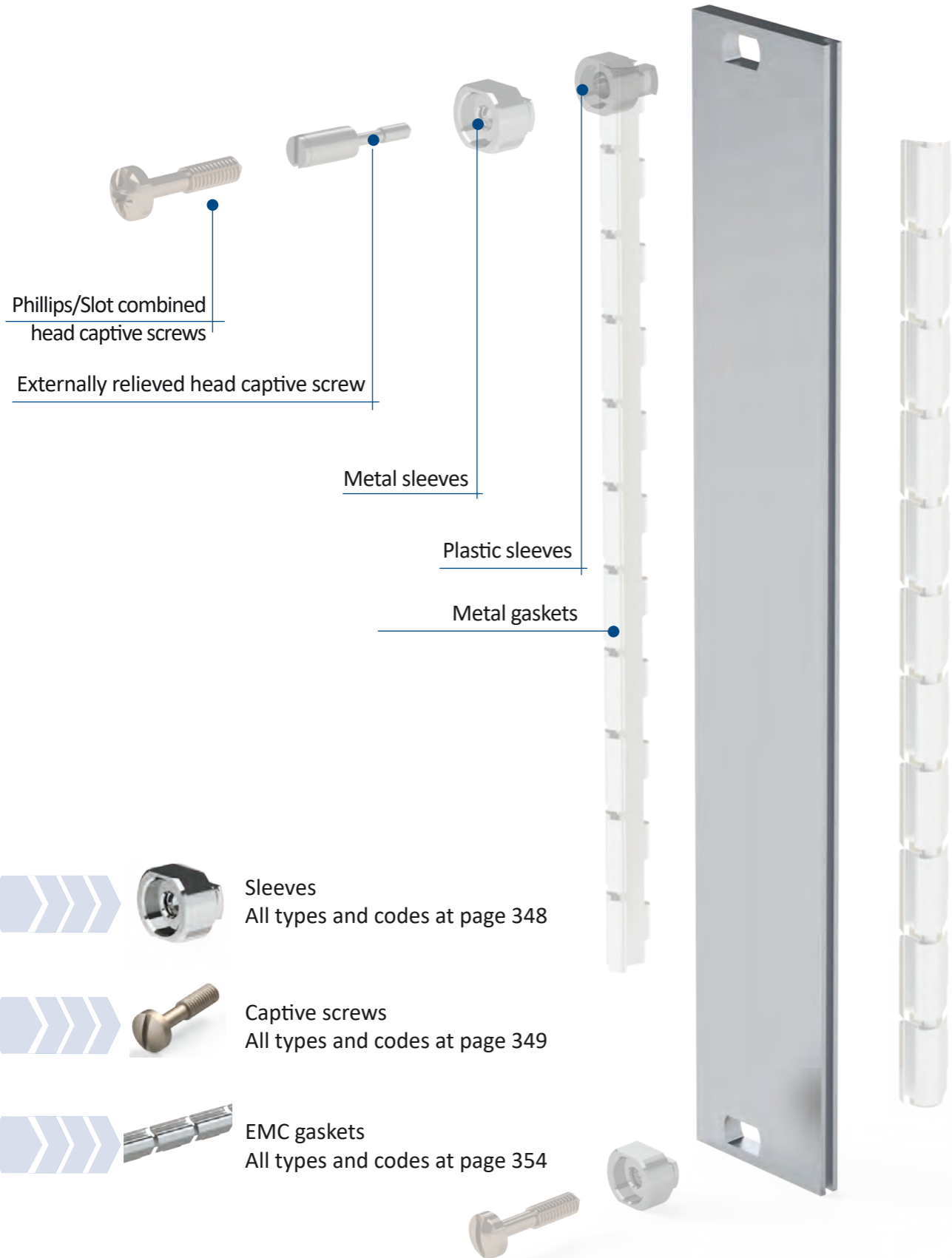
Size		Purchase code		
TE	B mm	Anodized natural	Surtec 650	Double treatment*
4	20,00	0404.0601.0604	0404.0603.0604	0404.0605.0604
5	25,08	0404.0601.0605	0404.0603.0605	0404.0605.0605
6	30,16	0404.0601.0606	0404.0603.0606	0404.0605.0606
7	35,24	0404.0601.0607	0404.0603.0607	0404.0605.0607
8	40,32	0404.0601.0608	0404.0603.0608	0404.0605.0608
9	45,40	0404.0601.0609	0404.0603.0609	0404.0605.0609
10	50,48	0404.0601.0610	0404.0603.0610	0404.0605.0610
11	55,56	0404.0601.0611	0404.0603.0611	0404.0605.0611
12	60,64	0404.0601.0612	0404.0603.0612	0404.0605.0612
13	65,72	0404.0601.0613	0404.0603.0613	0404.0605.0613
14	70,80	0404.0601.0614	0404.0603.0614	0404.0605.0614
15	75,88	0404.0601.0615	0404.0603.0615	0404.0605.0615
16	80,96	0404.0601.0616	0404.0603.0616	0404.0605.0616

Aluminium UNI 5005/1 thickness 2.5 mm smooth surface - Anodized natural - Surtec 650 - Double treatment

The code only includes the front

*Anodized front and Surtec 650 rear treatment



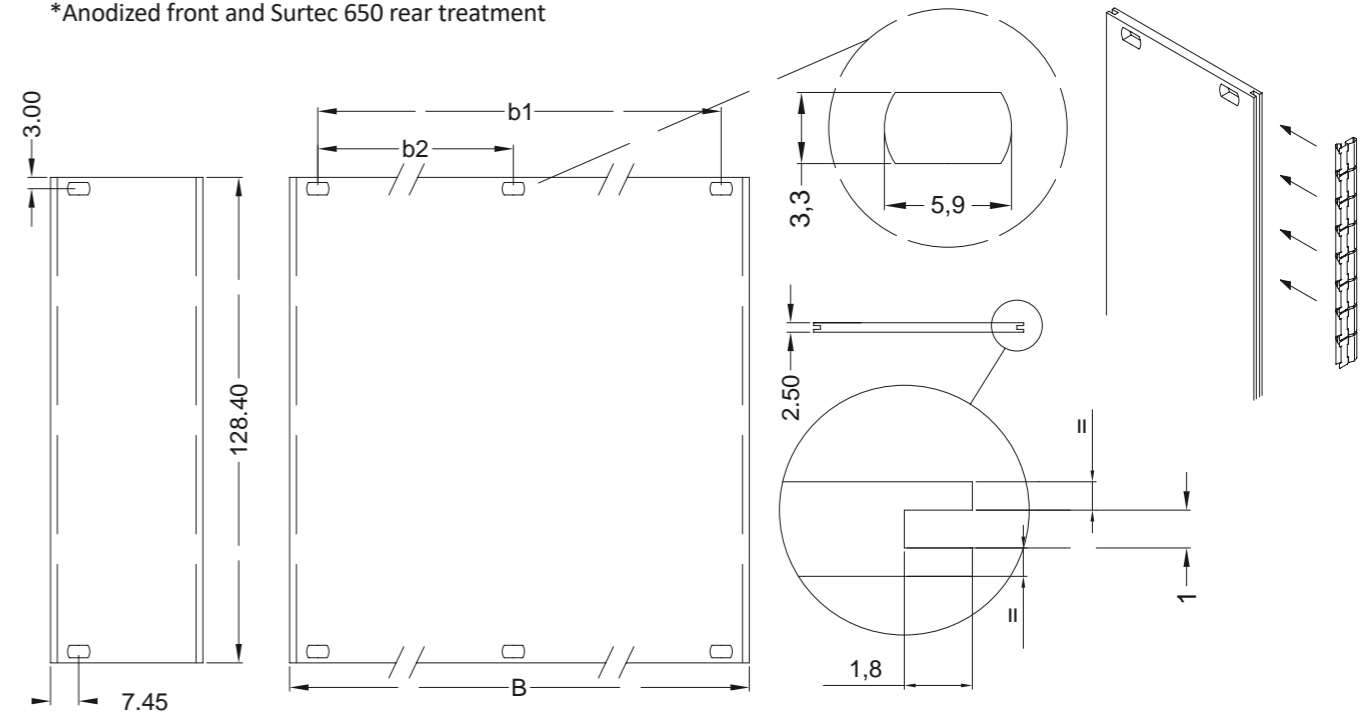


-  **Sleeves**
All types and codes at page 348
-  **Captive screws**
All types and codes at page 349
-  **EMC gaskets**
All types and codes at page 354

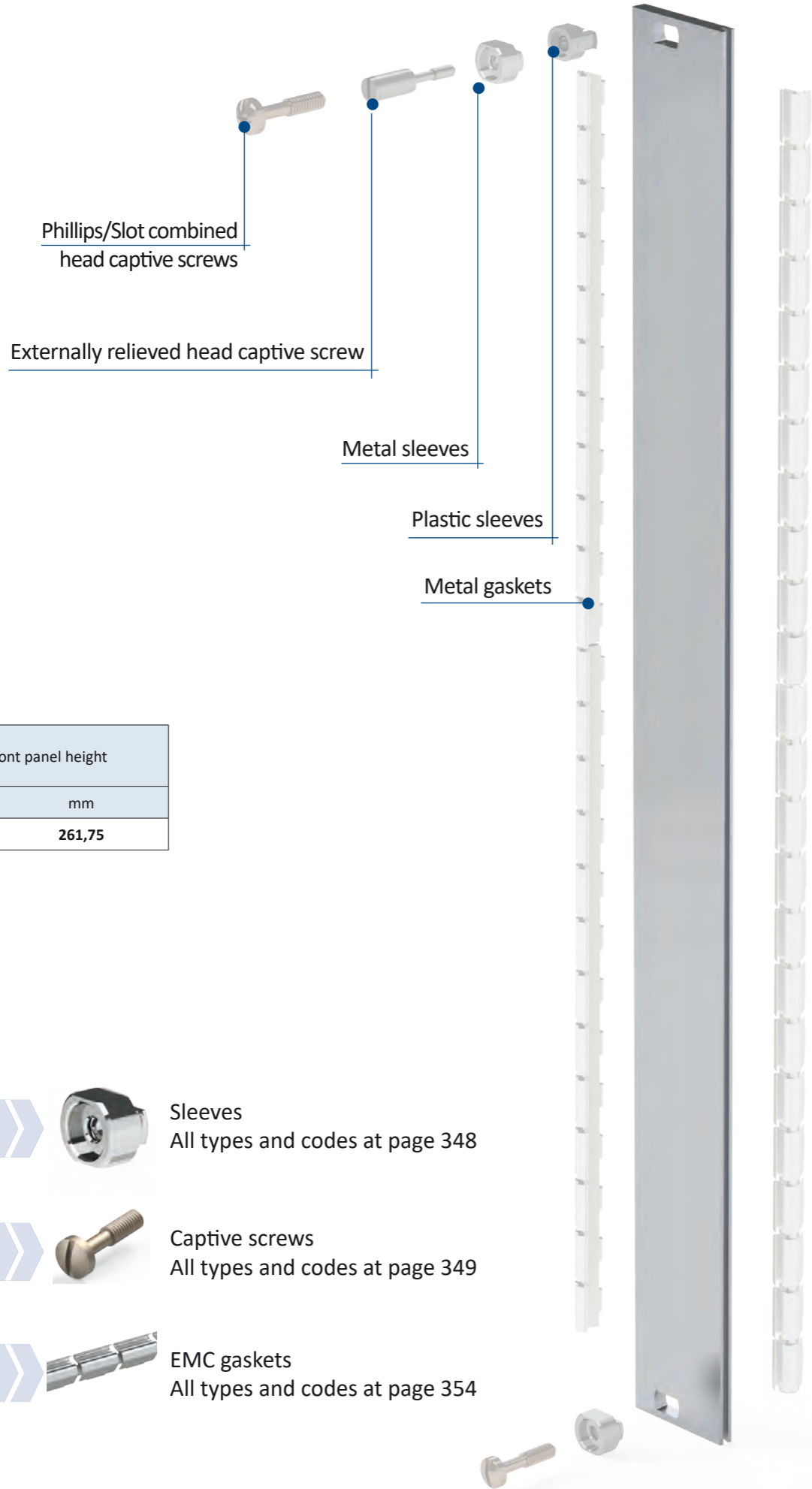
3U EMC front panel

Size				Purchase code	
TE	B mm	b1 mm	b2 mm	Surtec 650	Double treatment*
1	4,76	-	-	0404.0113.0301	0404.0115.0301
2	9,84	-	-	0404.0113.0302	0404.0115.0302
3	14,92	-	-	0404.0113.0303	0404.0115.0303
4	20,00	-	-	0404.0113.0304	0404.0115.0304
5	25,08	-	-	0404.0113.0305	0404.0115.0305
6	30,16	-	-	0404.0113.0306	0404.0115.0306
7	35,24	-	-	0404.0113.0307	0404.0115.0307
8	40,32	25,40	-	0404.0113.0308	0404.0115.0308
9	45,40	30,40	-	0404.0113.0309	0404.0115.0309
10	50,48	35,50	-	0404.0113.0310	0404.0115.0310
11	55,56	40,60	-	0404.0113.0311	0404.0115.0311
12	60,64	45,70	-	0404.0113.0312	0404.0115.0312
13	65,72	50,80	-	0404.0113.0313	0404.0115.0313
14	70,80	55,90	-	0404.0113.0314	0404.0115.0314
15	75,88	60,90	-	0404.0113.0315	0404.0115.0315
16	80,96	66,00	-	0404.0113.0316	0404.0115.0316
17	86,04	71,10	-	0404.0113.0317	0404.0115.0317
18	91,12	76,20	-	0404.0113.0318	0404.0115.0318
19	96,20	81,20	-	0404.0113.0319	0404.0115.0319
20	101,28	86,30	-	0404.0113.0320	0404.0115.0320
21	106,36	91,40	-	0404.0113.0321	0404.0115.0321
28	141,92	127,00	-	0404.0113.0328	0404.0115.0328
42	213,04	198,10	101,60	0404.0113.0342	0404.0115.0342
63	319,72	304,80	157,50	0404.0113.0363	0404.0115.0363
84	426,40	401,50	203,20	0404.0113.0384	0404.0115.0384

Aluminium UNI 5005/1 thickness 2.5 mm smooth surface - Surtec 650 - Double treatment
 The code only includes the front
 *Anodized front and Surtec 650 rear treatment



6U EMC FRONT PANEL



Sleeves
All types and codes at page 348

Captive screws
All types and codes at page 349

EMC gaskets
All types and codes at page 354

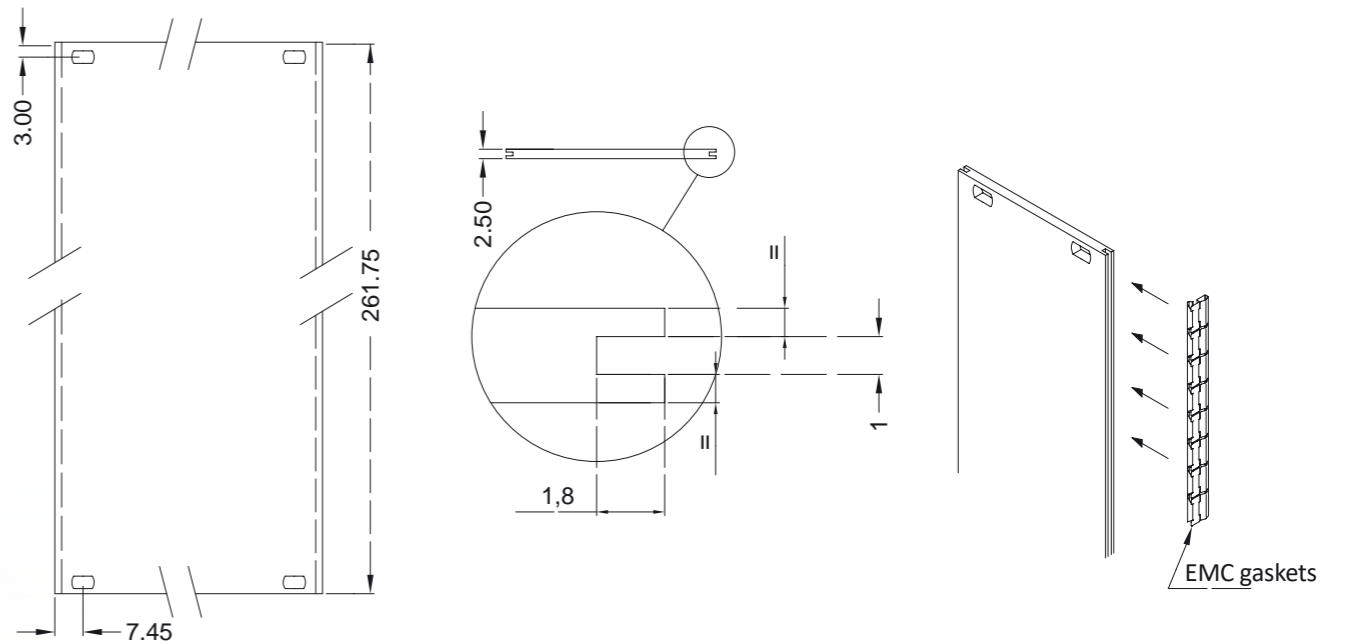
6U EMC front panel

Size				Purchase code	
TE	B mm	b1 mm	b2 mm	Surtec 650	Double treatment*
1	4,76	-	-	0404.0113.0601	0404.0115.0601
2	9,84	-	-	0404.0113.0602	0404.0115.0602
3	14,92	-	-	0404.0113.0603	0404.0115.0603
4	20,00	-	-	0404.0113.0604	0404.0115.0604
5	25,08	-	-	0404.0113.0605	0404.0115.0605
6	30,16	-	-	0404.0113.0606	0404.0115.0606
7	35,24	-	-	0404.0113.0607	0404.0115.0607
8	40,32	25,40	-	0404.0113.0608	0404.0115.0608
9	45,40	30,40	-	0404.0113.0609	0404.0115.0609
10	50,48	35,50	-	0404.0113.0610	0404.0115.0610
11	55,56	40,60	-	0404.0113.0611	0404.0115.0611
12	60,64	45,70	-	0404.0113.0612	0404.0115.0612
13	65,72	50,80	-	0404.0113.0613	0404.0115.0613
14	70,80	55,90	-	0404.0113.0614	0404.0115.0614
15	75,88	60,90	-	0404.0113.0615	0404.0115.0615
16	80,96	66,00	-	0404.0113.0616	0404.0115.0616
17	86,04	71,10	-	0404.0113.0617	0404.0115.0617
18	91,12	76,20	-	0404.0113.0618	0404.0115.0618
19	96,20	81,20	-	0404.0113.0619	0404.0115.0619
20	101,28	86,30	-	0404.0113.0620	0404.0115.0620
21	106,36	91,40	-	0404.0113.0621	0404.0115.0621
28	141,92	127,00	-	0404.0113.0628	0404.0115.0628
42	213,04	198,10	101,60	0404.0113.0642	0404.0115.0642
63	319,72	304,80	157,50	0404.0113.0663	0404.0115.0663
84	426,40	401,50	203,20	0404.0113.0684	0404.0115.0684

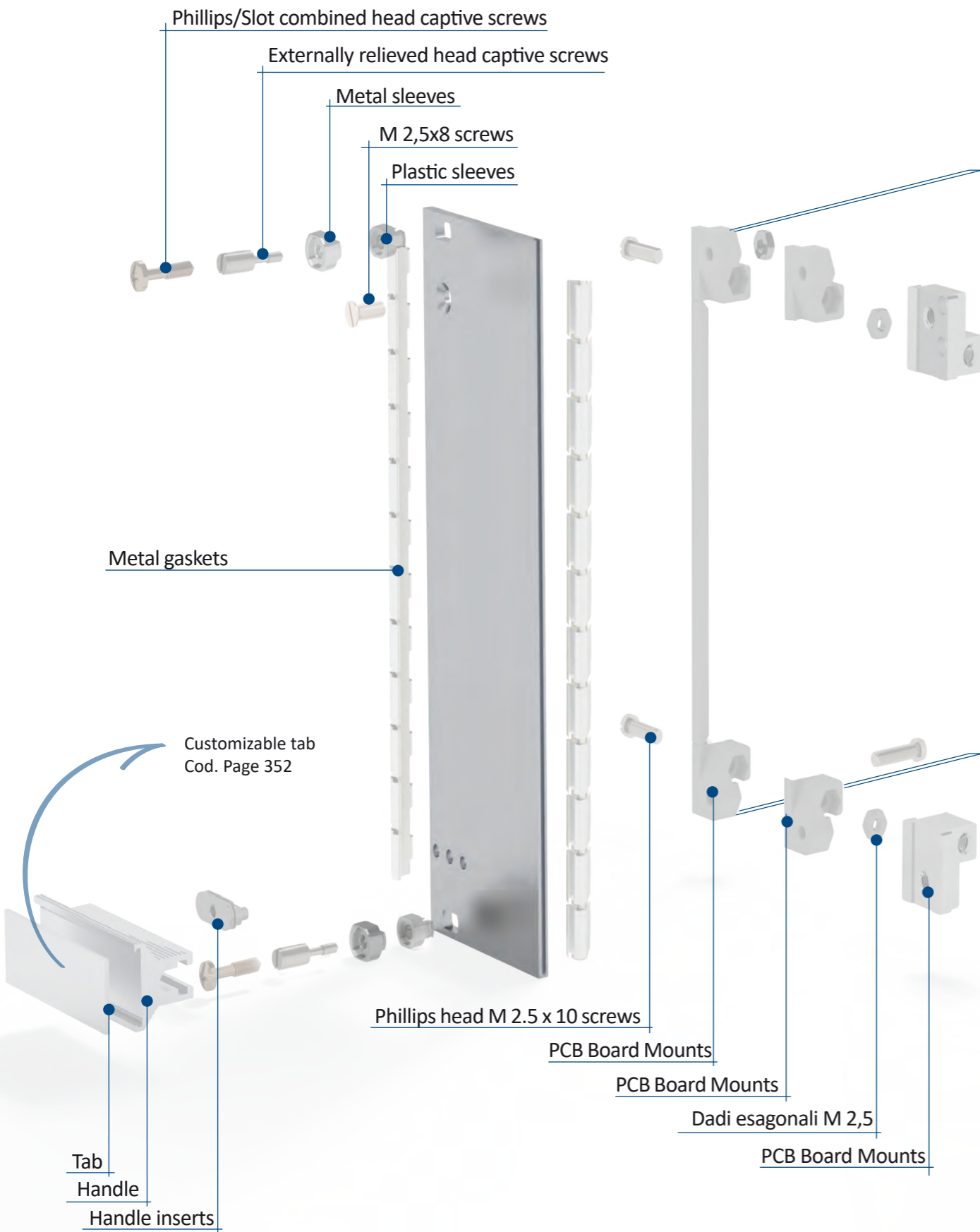
Aluminium UNI 5005/1 thickness 2.5 mm smooth surface - Surtec 650 - Double treatment

The code only includes the front

*Anodized front and Surtec 650 rear treatment



3U EMC FRONT PANEL FOR PCBs AND HANDLES



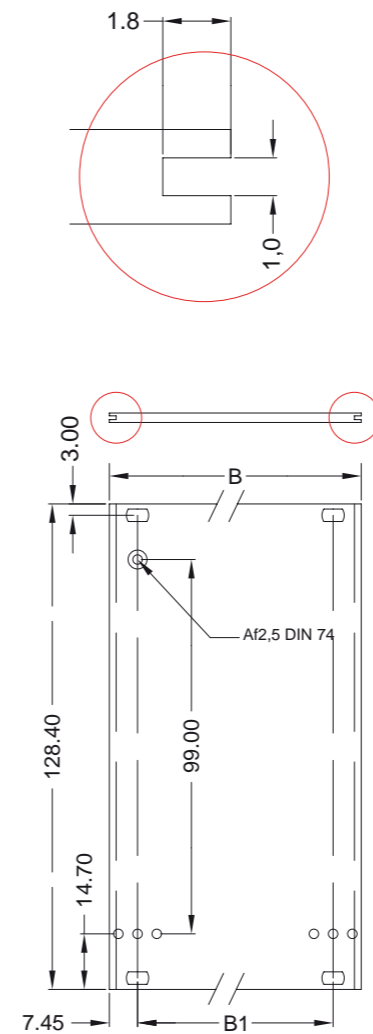
3U EMC front panel for PCBs and handles

















Size			Purchase code	
TE	B mm	b1 mm	Surtec 650	Double treatment*
4	20,00	-	0404.0313.0303	0404.0315.0304
5	25,08	-	0404.0313.0303	0404.0315.0305
6	30,16	-	0404.0313.0306	0404.0315.0306
7	35,24	-	0404.0313.0307	0404.0315.0307
8	40,32	25,40	0404.0313.0308	0404.0315.0308
9	45,40	30,40	0404.0313.0309	0404.0315.0309
10	50,48	35,50	0404.0313.0310	0404.0315.0310
11	55,56	40,60	0404.0313.0311	0404.0315.0311
12	60,64	45,70	0404.0313.0312	0404.0315.0312
13	65,72	50,80	0404.0313.0313	0404.0315.0313
14	70,80	55,90	0404.0313.0314	0404.0315.0314
15	75,88	60,90	0404.0313.0315	0404.0315.0315
16	80,96	66,00	0404.0313.0316	0404.0315.0316

Aluminium UNI 5005/1 thickness 2.5 mm smooth surface - Surtec 650 - Double treatment

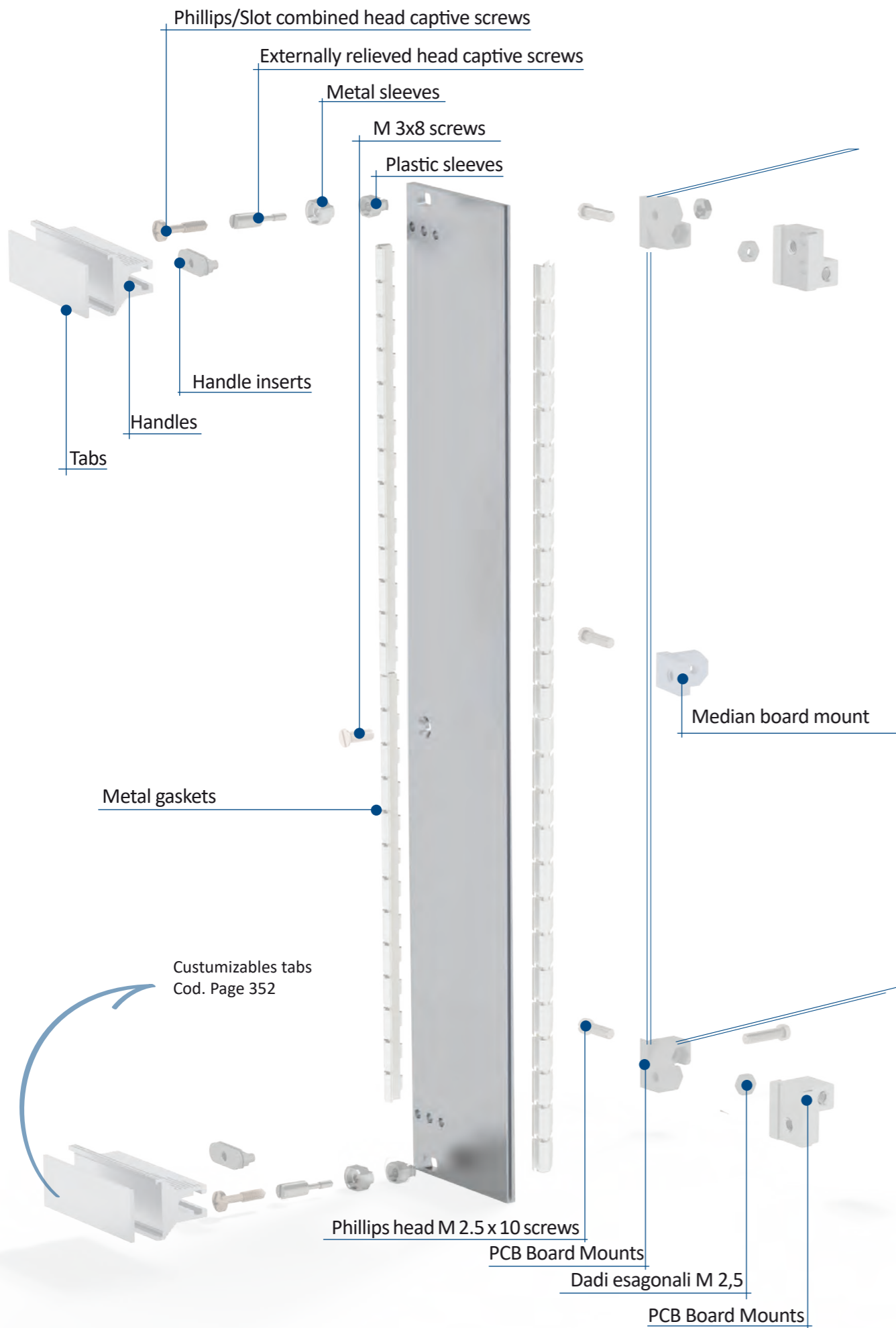
The code only includes the front

*Anodized front and Surtec 650 rear treatment



-   Sleeves
All types and codes at page 348
-   Captive screws
All types and codes at page 349
-   PCB Board Mounts
All types and codes at page 355
-   Handles
All types and codes at page 350
-   Screws and washers
All types and codes at page 349
-   Insert
All types and codes at page 348
-   Tab
All types and codes at page 352
-   EMC gaskets
All types and codes at page 354

3U EMC FRONT PANEL FOR PCBs AND HANDLES



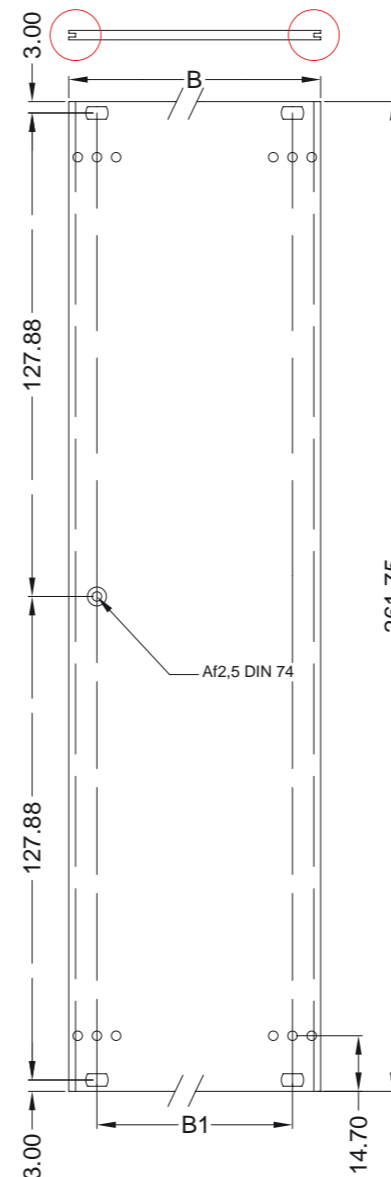
Front Panel EMC 6U for PCBs and handles

Size			Purchase code	
TE	B mm	b1 mm	Surtec 650	Double treatment*
4	20,00	-	0404.0313.0603	0404.0315.0604
5	25,08	-	0404.0313.0603	0404.0315.0605
6	30,16	-	0404.0313.0606	0404.0315.0606
7	35,24	-	0404.0313.0607	0404.0315.0607
8	40,32	25,40	0404.0313.0608	0404.0315.0608
9	45,40	30,40	0404.0313.0609	0404.0315.0609
10	50,48	35,50	0404.0313.0610	0404.0315.0610
11	55,56	40,60	0404.0313.0611	0404.0315.0611
12	60,64	45,70	0404.0313.0612	0404.0315.0612
13	65,72	50,80	0404.0313.0613	0404.0315.0613
14	70,80	55,90	0404.0313.0614	0404.0315.0614
15	75,88	60,90	0404.0313.0615	0404.0315.0615
16	80,96	66,00	0404.0313.0616	0404.0315.0616

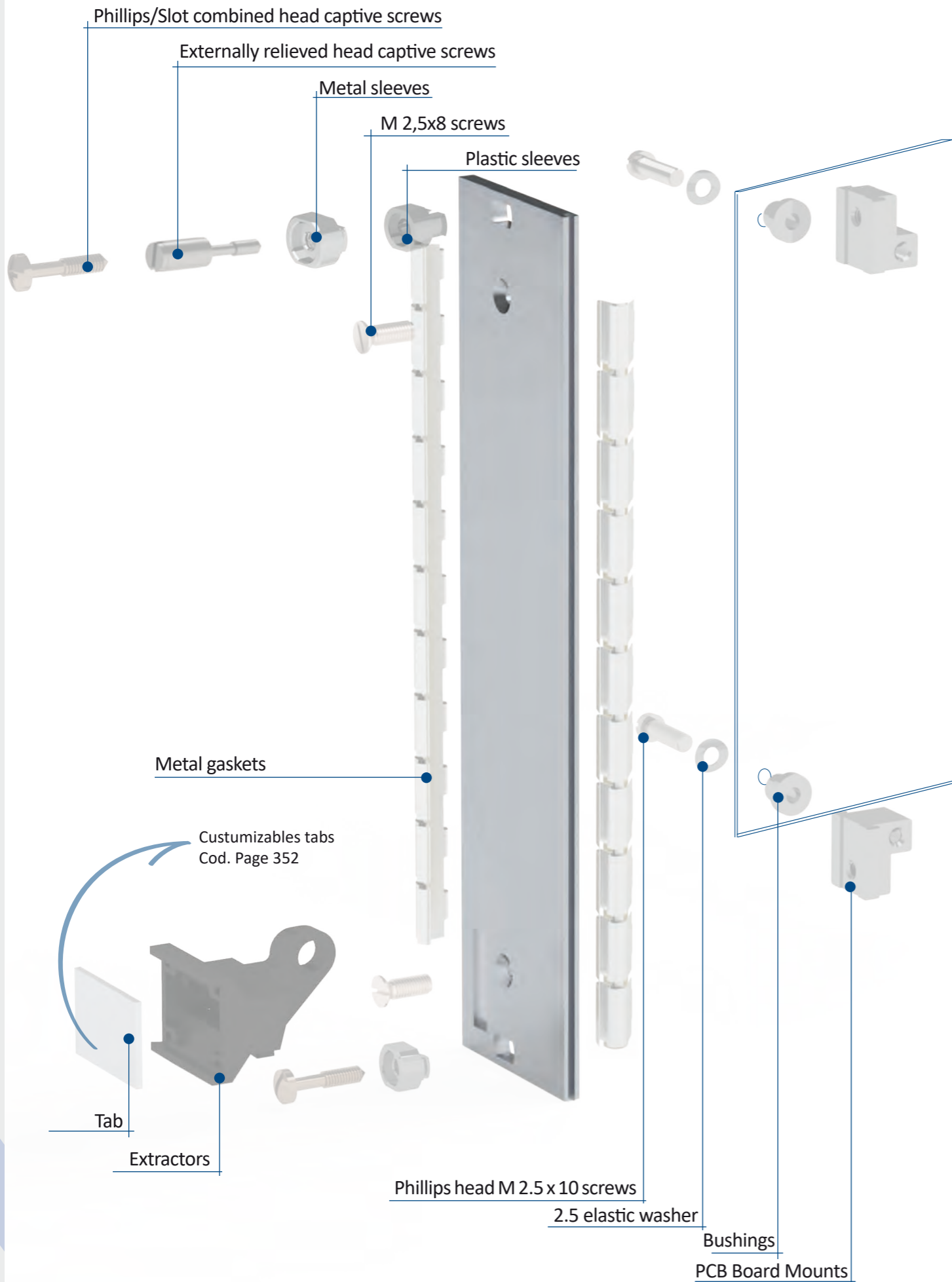
Aluminium UNI 5005/1 thickness 2.5 mm smooth surface - Surtec 650 - Double treatment

The code only includes the front

*Anodized front and Surtec 650 rear treatment



-   Sleeves
All types and codes at page 348
-   Captive screws
All types and codes at page 349
-   PCB Board Mounts
All types and codes at page 355
-   Handles
All types and codes at page 350
-   Screws and washers
All types and codes at page 349
-   Insert
All types and codes at page 348
-   Tab
All types and codes at page 352
-   EMC gaskets
All types and codes at page 354



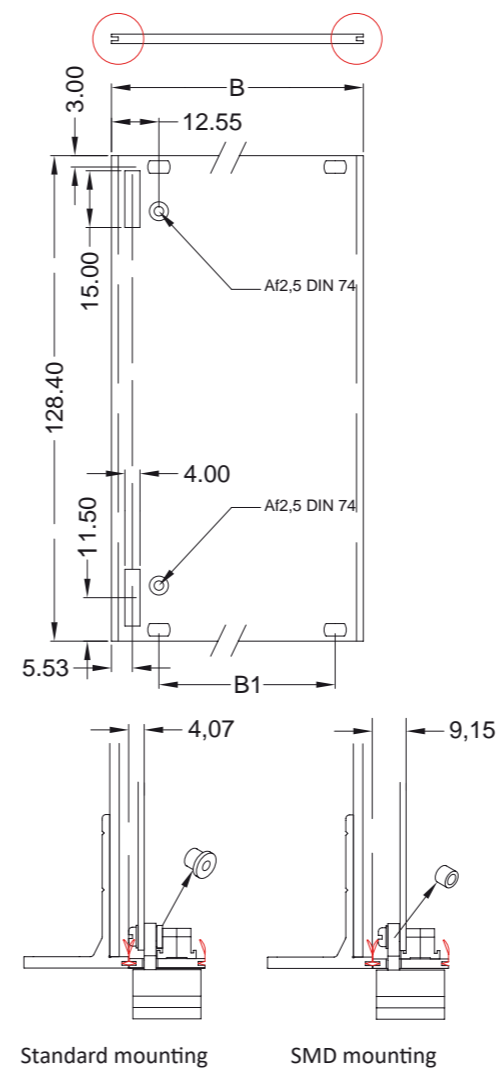
3U EMC front panel for extractor

Size			Purchase code	
TE	B mm	b1 mm	Surtec 650	Double treatment*
3	14,92	-	0404.0413.0303	0404.0415.0303
4	20,00	-	0404.0413.0304	0404.0415.0304
5	25,08	-	0404.0413.0305	0404.0415.0305
6	30,16	-	0404.0413.0306	0404.0415.0306
7	35,24	-	0404.0413.0307	0404.0415.0307
8	40,32	25,40	0404.0413.0308	0404.0415.0308
9	45,40	30,40	0404.0413.0309	0404.0415.0309
10	50,48	35,50	0404.0413.0310	0404.0415.0310
11	55,56	40,60	0404.0413.0311	0404.0415.0311
12	60,64	45,70	0404.0413.0312	0404.0415.0312
13	65,72	50,80	0404.0413.0313	0404.0415.0313
14	70,80	55,90	0404.0413.0314	0404.0415.0314
15	75,88	60,90	0404.0413.0315	0404.0415.0315
16	80,96	66,00	0404.0413.0316	0404.0415.0316

Aluminium UNI 5005/1 thickness 2.5 mm smooth surface - Surtec 650 - Double treatment

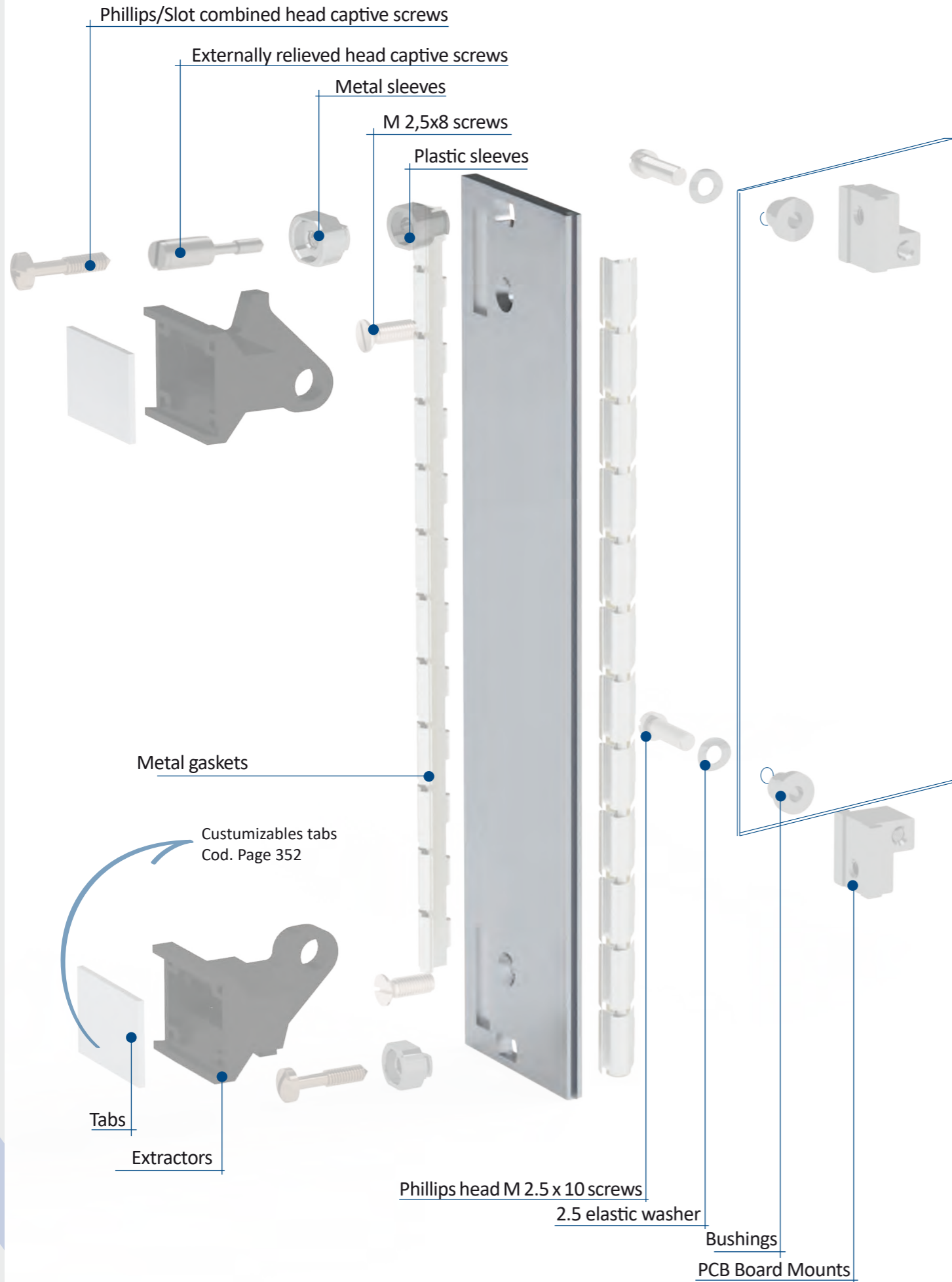
The code only includes the front

*Anodized front and Surtec 650 rear treatment



- Sleeves
All types and codes at page 348
- Captive screws
All types and codes at page 349
- PCB Board Mounts
All types and codes at page 355
- Extractors
All types and codes at page 352
- Screws and washers
All types and codes at page 349
- Tab
All types and codes at page 352
- Bushings
All types and codes at page 348
- EMC gaskets
All types and codes at page 354

3U EMC FRONT PANEL FOR EXTRACTORS



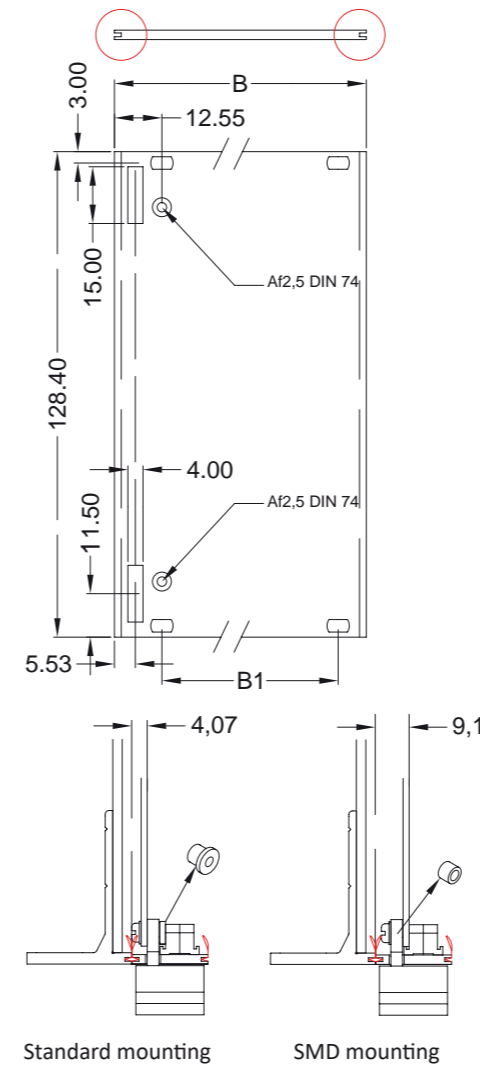
3U EMC front panel for extractors

Size			Purchase code	
TE	B mm	b1 mm	Surtec 650	Double treatment*
3	14,92	-	0404.0513.0303	0404.0515.0303
4	20,00	-	0404.0513.0304	0404.0515.0304
5	25,08	-	0404.0513.0305	0404.0515.0305
6	30,16	-	0404.0513.0306	0404.0515.0306
7	35,24	-	0404.0513.0307	0404.0515.0307
8	40,32	25,40	0404.0513.0308	0404.0515.0308
9	45,40	30,40	0404.0513.0309	0404.0515.0309
10	50,48	35,50	0404.0513.0310	0404.0515.0310
11	55,56	40,60	0404.0513.0311	0404.0515.0311
12	60,64	45,70	0404.0513.0312	0404.0515.0312
13	65,72	50,80	0404.0513.0313	0404.0515.0313
14	70,80	55,90	0404.0513.0314	0404.0515.0314
15	75,88	60,90	0404.0513.0315	0404.0515.0315
16	80,96	66,00	0404.0513.0316	0404.0515.0316

Aluminium UNI 5005/1 thickness 2.5 mm smooth surface - Surtec 650 - Double treatment

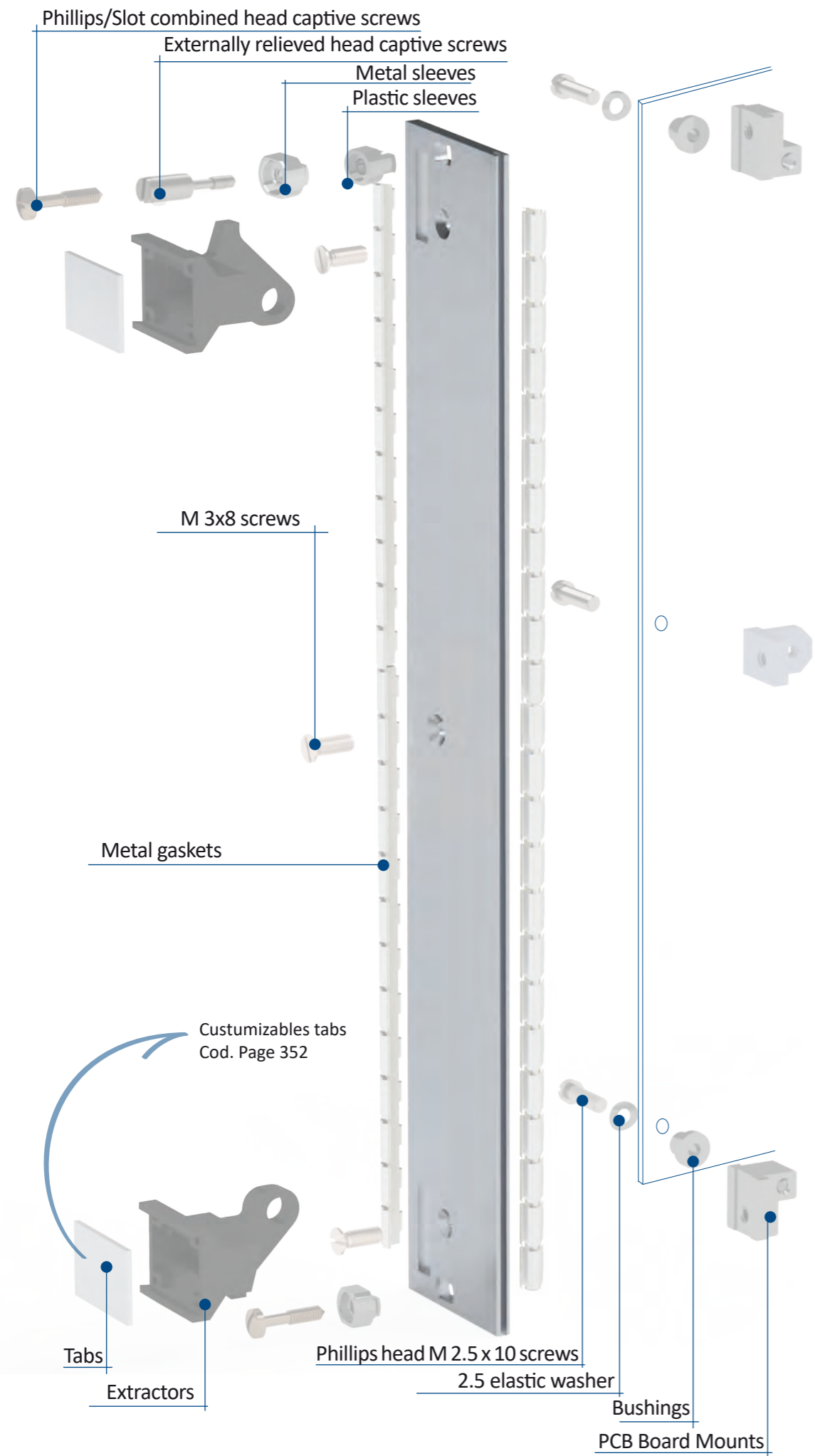
The code only includes the front

*Anodized front and Surtec 650 rear treatment



- Sleeves
All types and codes at page 348
- Captive screws
All types and codes at page 349
- PCB Board Mounts
All types and codes at page 355
- Extractors
All types and codes at page 352
- Screws and washers
All types and codes at page 349
- Tab
All types and codes at page 352
- Bushings
All types and codes at page 348
- EMC gaskets
All types and codes at page 354

3U EMC FRONT PANEL FOR EXTRACTORS



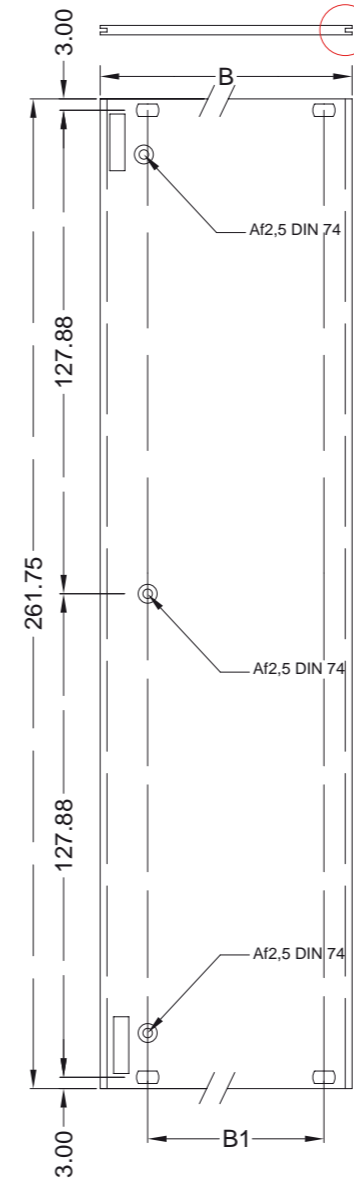
Front Panel EMC 6U for extractor

Size			Purchase code	
TE	B mm	b1 mm	Surtec 650	Double treatment*
3	14,92	-	0404.0513.0603	0404.0515.0603
4	20,00	-	0404.0513.0604	0404.0515.0604
5	25,08	-	0404.0513.0605	0404.0515.0605
6	30,16	-	0404.0513.0606	0404.0515.0606
7	35,24	-	0404.0513.0607	0404.0515.0607
8	40,32	25,40	0404.0513.0608	0404.0515.0608
9	45,40	30,40	0404.0513.0609	0404.0515.0609
10	50,48	35,50	0404.0513.0610	0404.0515.0610
11	55,56	40,60	0404.0513.0611	0404.0515.0611
12	60,64	45,70	0404.0513.0612	0404.0515.0612
13	65,72	50,80	0404.0513.0613	0404.0515.0613
14	70,80	55,90	0404.0513.0614	0404.0515.0614
15	75,88	60,90	0404.0513.0615	0404.0515.0615
16	80,96	66,00	0404.0513.0616	0404.0515.0616

Aluminium UNI 5005/1 thickness 2.5 mm smooth surface - Surtec 650 - Double treatment

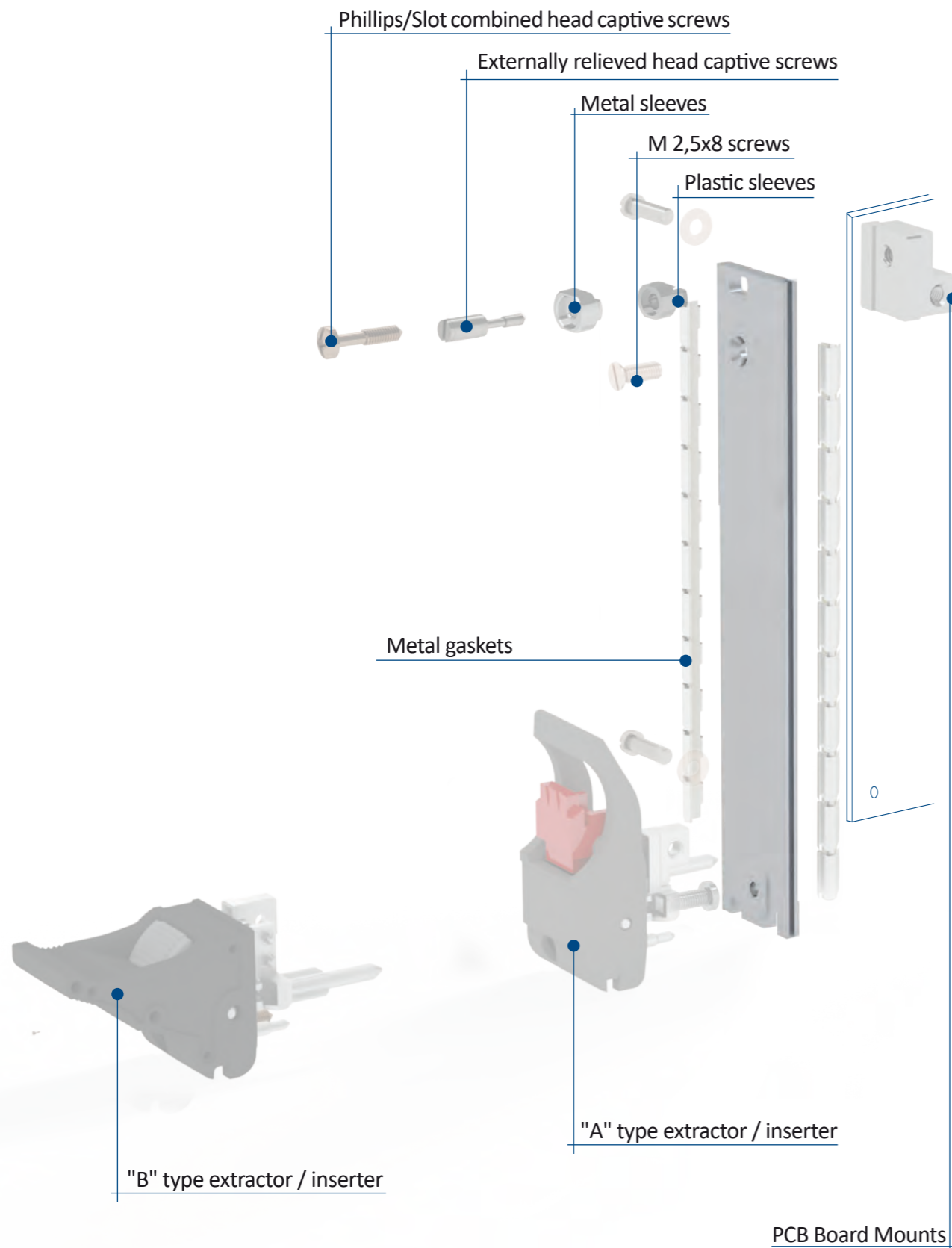
The code only includes the front

*Anodized front and Surtec 650 rear treatment



- Sleeves**
All types and codes at page 348
- Captive screws**
All types and codes at page 349
- PCB Board Mounts**
All types and codes at page 355
- Extractors**
All types and codes at page 352
- Screws and washers**
All types and codes at page 349
- Tab**
All types and codes at page 352
- Bushings**
All types and codes at page 348
- EMC gaskets**
All types and codes at page 354

3U EMC FRONT PANEL FOR "A" AND "B" TYPE EXTRACTORS AND INSERTORS



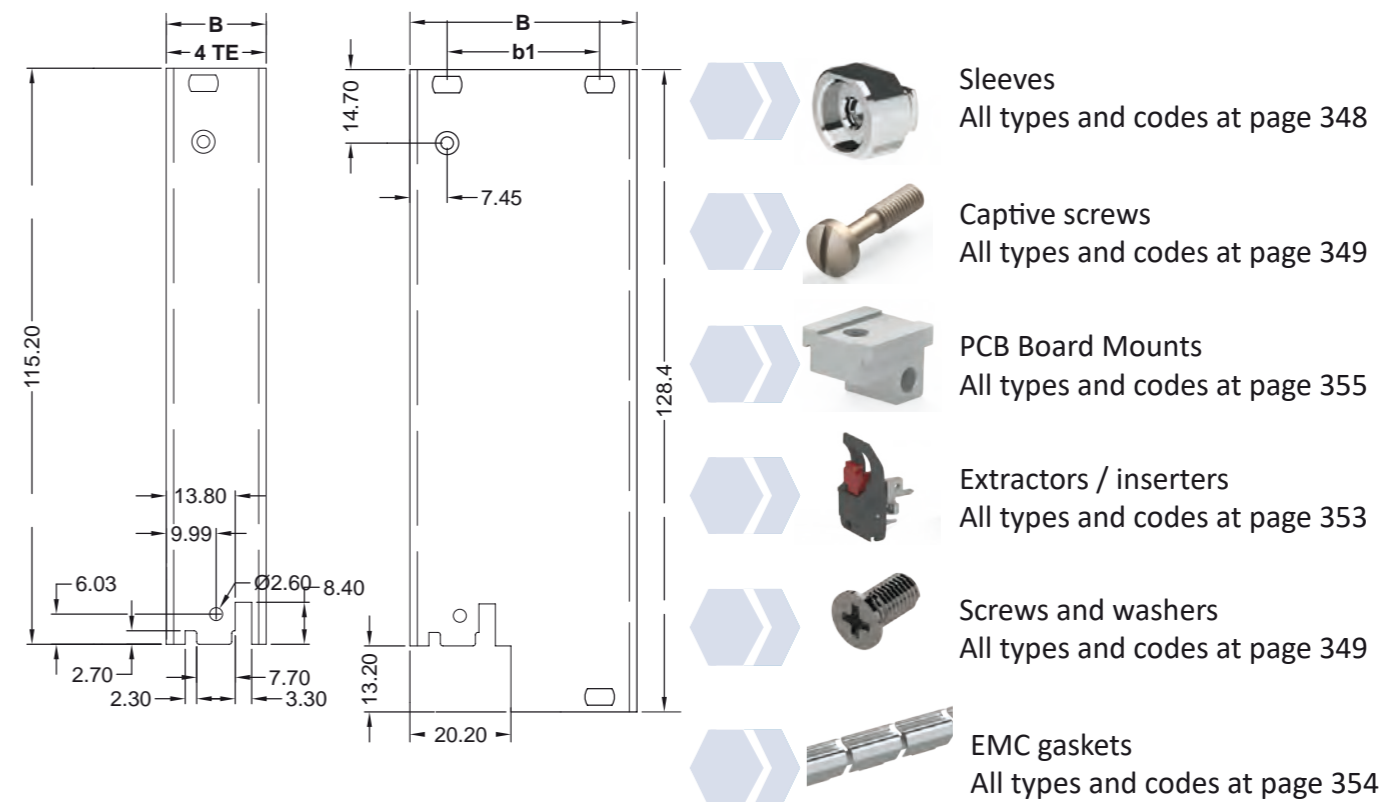
3U EMC front panel for "A" and "B" type extractors

Size			Purchase code	
TE	B mm	b1 mm	Surtec 650	Double treatment*
4	20,00	-	0404.1013.0304	0404.1015.0304
5	25,08	-	0404.1013.0305	0404.1015.0305
6	30,16	-	0404.1013.0306	0404.1015.0306
7	35,24	-	0404.1013.0307	0404.1015.0307
8	40,32	25,40	0404.1013.0308	0404.1015.0308
9	45,40	30,40	0404.1013.0309	0404.1015.0309
10	50,48	35,50	0404.1013.0310	0404.1015.0310
11	55,56	40,60	0404.1013.0311	0404.1015.0311
12	60,64	45,70	0404.1013.0312	0404.1015.0312
13	65,72	50,80	0404.1013.0313	0404.1015.0313
14	70,80	55,90	0404.1013.0314	0404.1015.0314
15	75,88	60,90	0404.1013.0315	0404.1015.0315
16	80,96	66,00	0404.1013.0316	0404.1015.0316

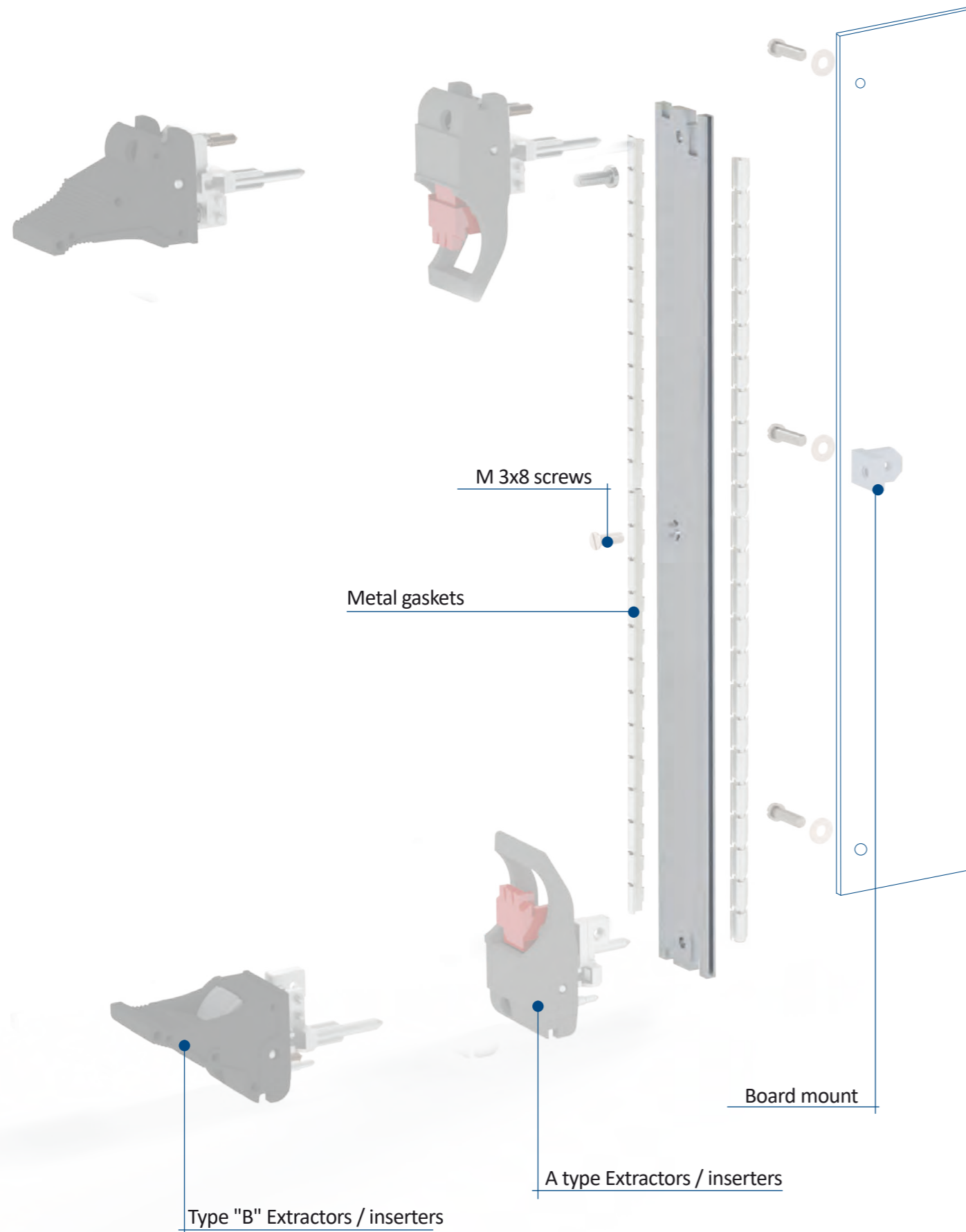
Aluminium UNI 5005/1 thickness 2.5 mm smooth surface - Surtec 650 - Double treatment

The code only includes the front

*Anodized front and Surtec 650 rear treatment



6U EMC FRONT PANEL FOR "A" AND "B" TYPE EXTRACTORS AND INSERTORS



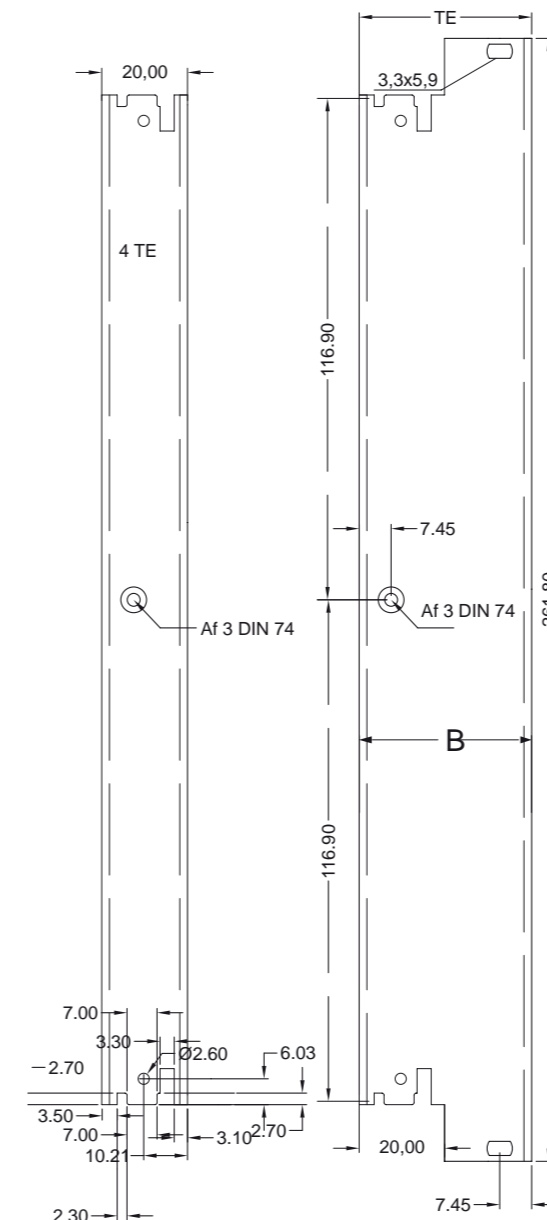
6U EMC front panel for "A" and "B" type extractors

Size		Purchase code	
TE	B mm	Surtec 650	Double treatment*
4	20,00	0404.1013.0604	0404.1015.0604
5	25,08	0404.1013.0605	0404.1015.0605
6	30,16	0404.1013.0606	0404.1015.0606
7	35,24	0404.1013.0607	0404.1015.0607
8	40,32	0404.1013.0608	0404.1015.0608
9	45,40	0404.1013.0609	0404.1015.0609
10	50,48	0404.1013.0610	0404.1015.0610
11	55,56	0404.1013.0611	0404.1015.0611
12	60,64	0404.1013.0612	0404.1015.0612
13	65,72	0404.1013.0613	0404.1015.0613
14	70,80	0404.1013.0614	0404.1015.0614
15	75,88	0404.1013.0615	0404.1015.0615
16	80,96	0404.1013.0616	0404.1015.0616

Aluminium UNI 5005/1 thickness 2.5 mm smooth surface - Surtec 650 - Double treatment

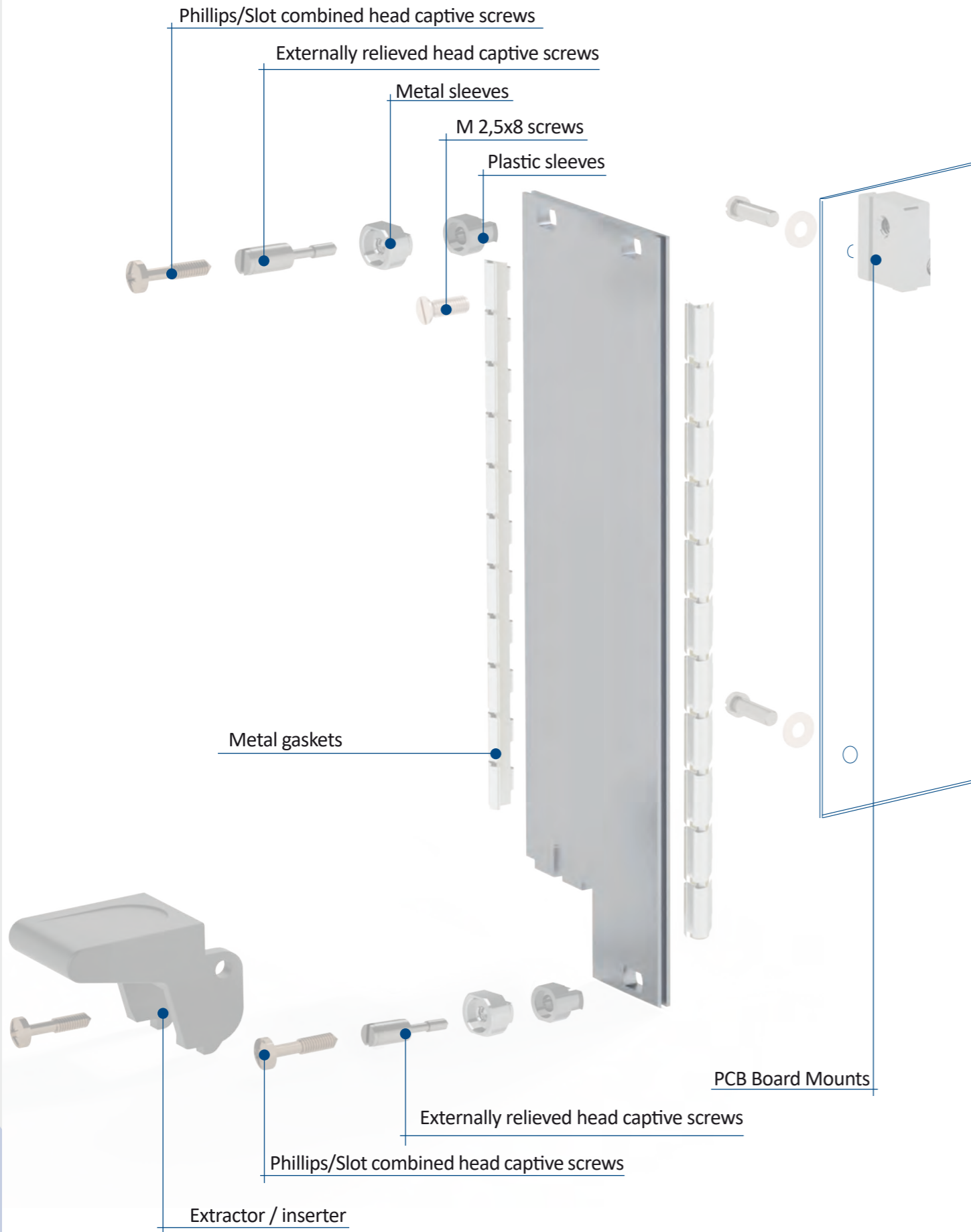
The code only includes the front

*Anodized front and Surtec 650 rear treatment



-   Sleeves
All types and codes at page 348
-   Captive screws
All types and codes at page 349
-   PCB Board Mounts
All types and codes at page 355
-   Extractors / inserters
All types and codes at page 353
-   Screws and washers
All types and codes at page 349
-   EMC gaskets
All types and codes at page 354

3U EMC FRONT PANEL FOR "C" TYPE EXTRACTORS



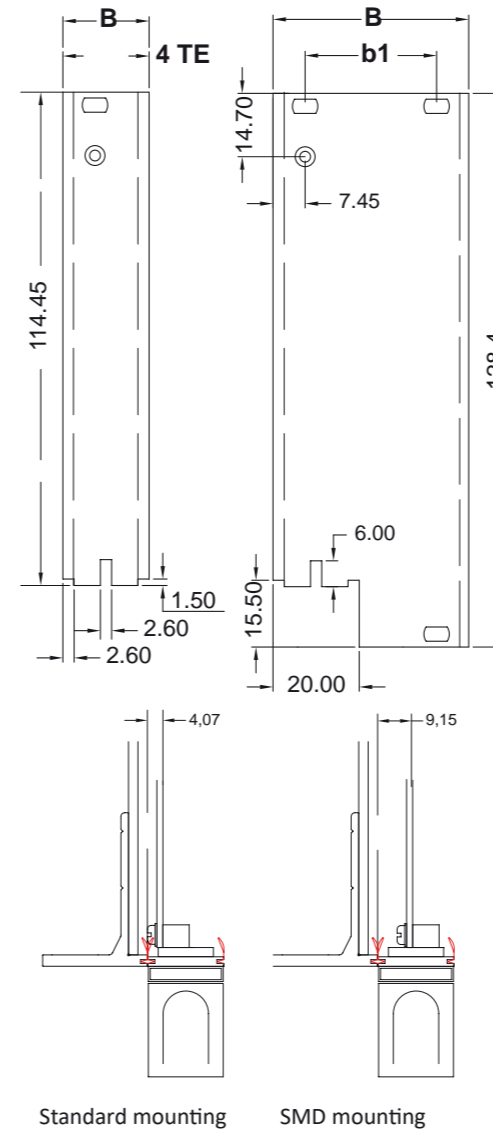
3U EMC front panel for "C" type extractors

Size			Purchase code	
TE	B mm	b1 mm	Surtec 650	Double treatment*
4	20,00	-	0404.0613.0304	0404.0615.0304
5	25,08	-	0404.0613.0305	0404.0615.0305
6	30,16	-	0404.0613.0306	0404.0615.0306
7	35,24	-	0404.0613.0307	0404.0615.0307
8	40,32	25,40	0404.0613.0308	0404.0615.0308
9	45,40	30,40	0404.0613.0309	0404.0615.0309
10	50,48	35,50	0404.0613.0310	0404.0615.0310
11	55,56	40,60	0404.0613.0311	0404.0615.0311
12	60,64	45,70	0404.0613.0312	0404.0615.0312
13	65,72	50,80	0404.0613.0313	0404.0615.0313
14	70,80	55,90	0404.0613.0314	0404.0615.0314
15	75,88	60,90	0404.0613.0315	0404.0615.0315
16	80,96	66,00	0404.0613.0316	0404.0615.0316

Aluminium UNI 5005/1 thickness 2.5 mm smooth surface - Surtec 650 - Double treatment

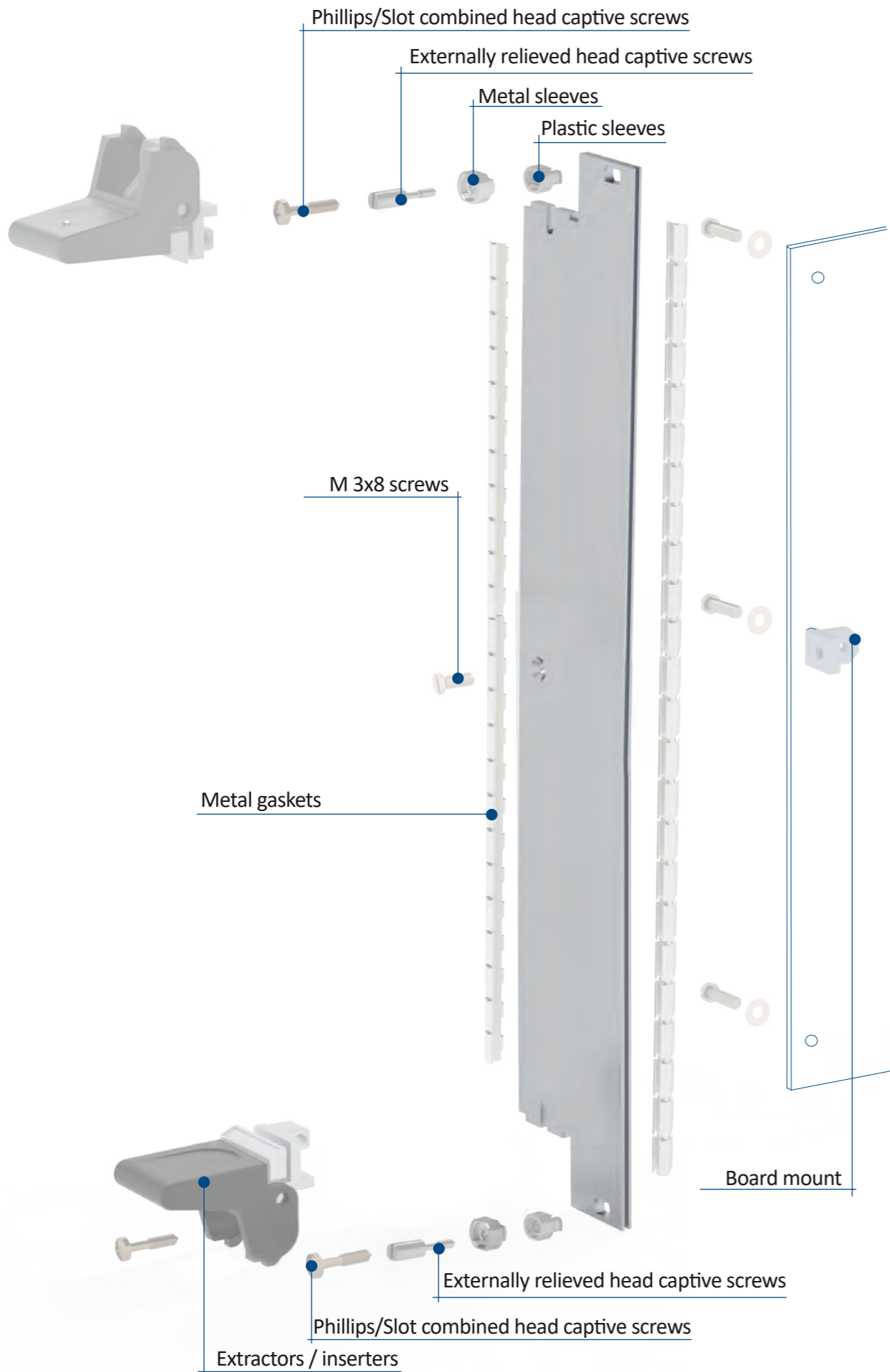
The code only includes the front

*Anodized front and Surtec 650 rear treatment



-   Sleeves
All types and codes at page 348
-   Captive screws
All types and codes at page 349
-   PCB Board Mounts
All types and codes at page 355
-   Extractors / inserters
All types and codes at page 353
-   Screws and washers
All types and codes at page 349
-   EMC gaskets
All types and codes at page 354

3U EMC FRONT PANEL FOR "C" TYPE EXTRACTORS



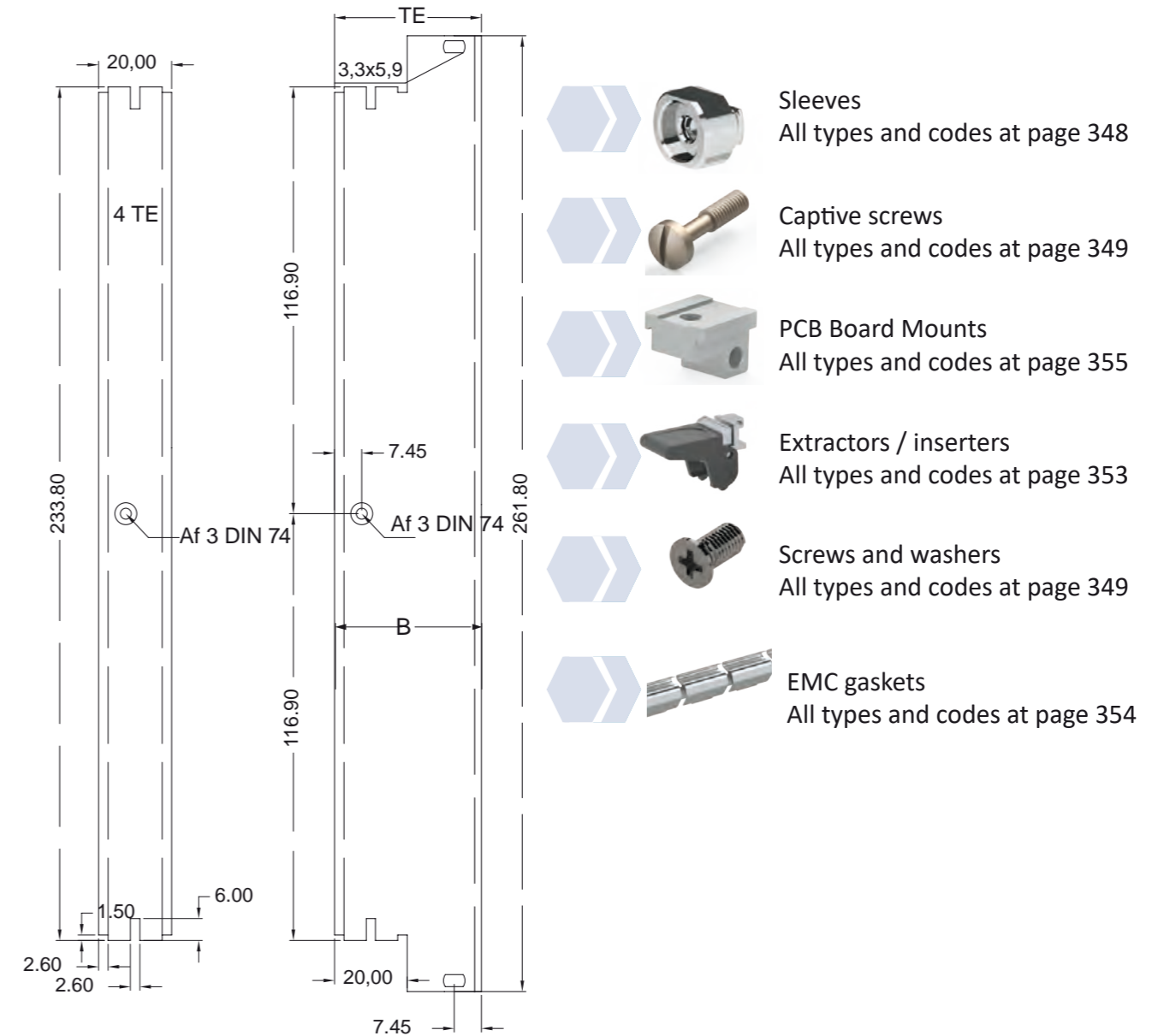
3U EMC front panel for "C" type extractors

Size		Purchase code	
TE	B mm	Surtec 650	Double treatment*
4	20,00	0404.0613.0604	0404.0615.0604
5	25,08	0404.0613.0605	0404.0615.0605
6	30,16	0404.0613.0606	0404.0615.0606
7	35,24	0404.0613.0607	0404.0615.0607
8	40,32	0404.0613.0608	0404.0615.0608
9	45,40	0404.0613.0609	0404.0615.0609
10	50,48	0404.0613.0610	0404.0615.0610
11	55,56	0404.0613.0611	0404.0615.0611
12	60,64	0404.0613.0612	0404.0615.0612
13	65,72	0404.0613.0613	0404.0615.0613
14	70,80	0404.0613.0614	0404.0615.0614
15	75,88	0404.0613.0615	0404.0615.0615
16	80,96	0404.0613.0616	0404.0615.0616

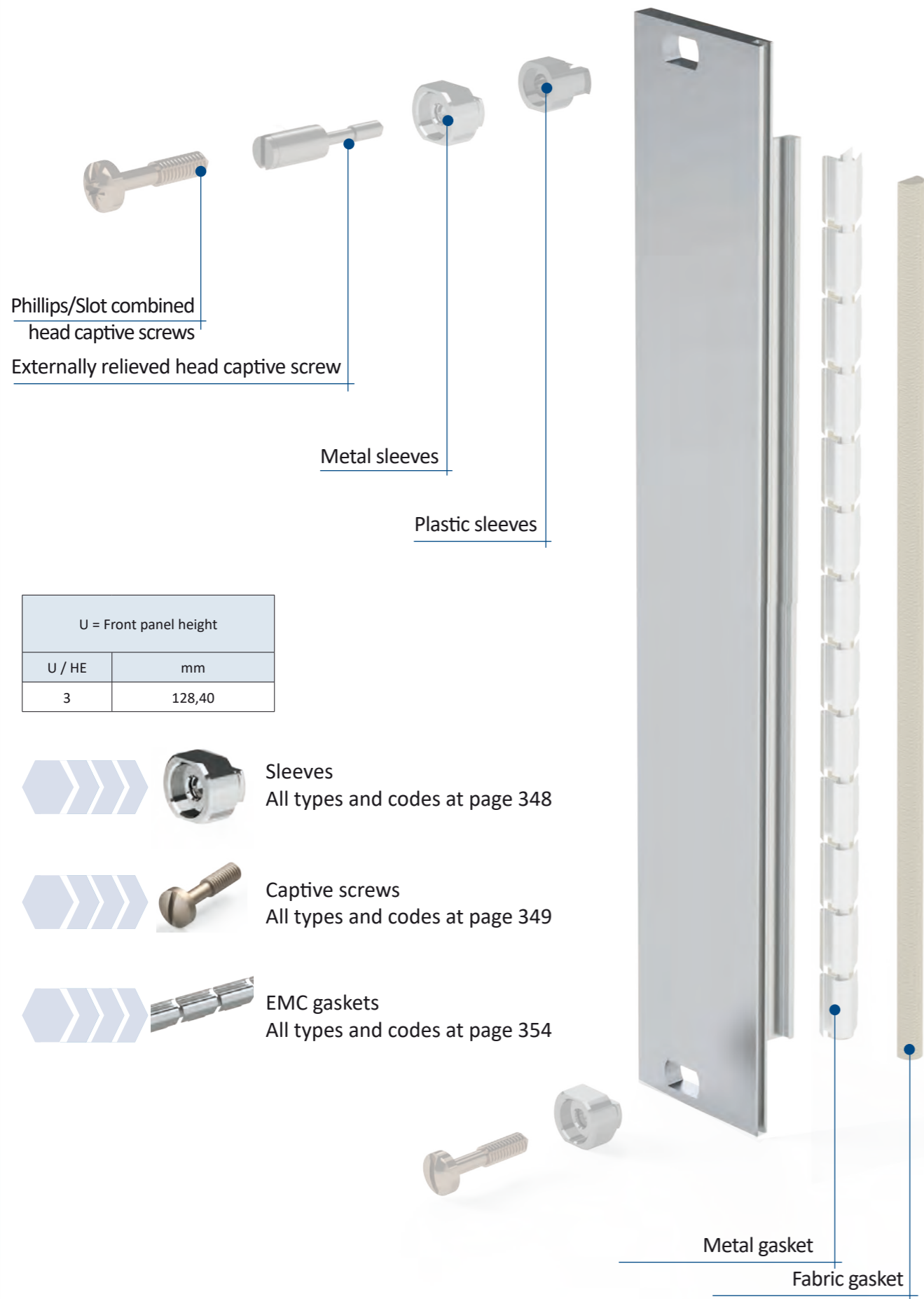
Aluminium UNI 5005/1 thickness 2.5 mm smooth surface - Surtec 650 - Double treatment

The code only includes the front

*Anodized front and Surtec 650 rear treatment



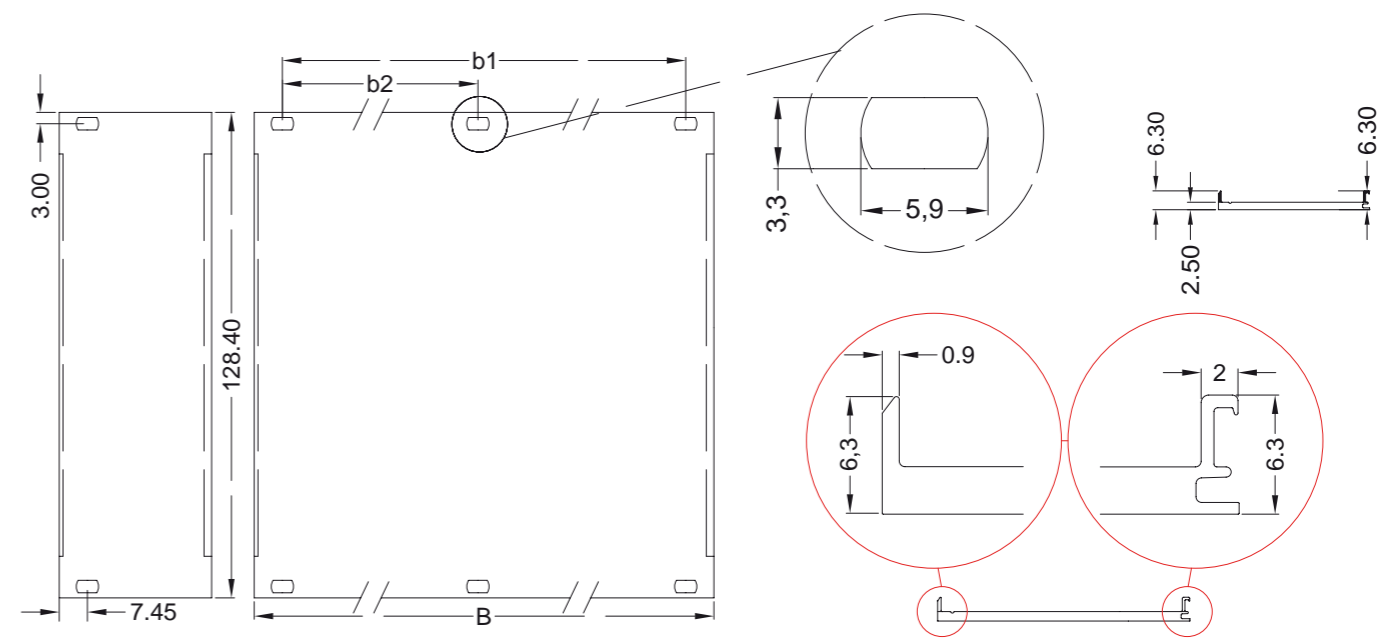
3U EMC EXTRUDED BLANK FRONT PANEL



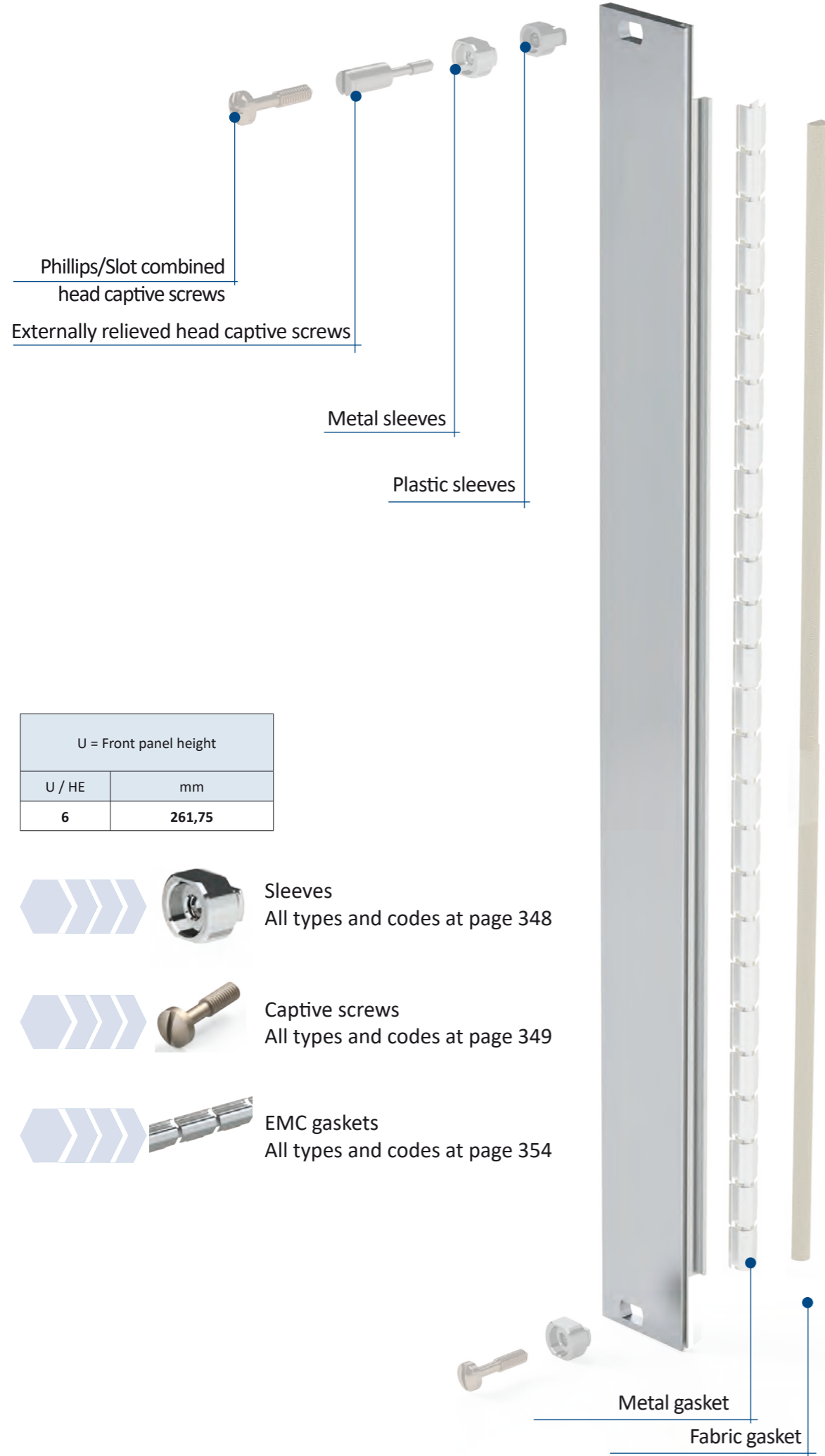
3U EMC extruded blank front panel

Size				Purchase code	
TE	B mm	b1 mm	b2 mm	Surtec 650	Double treatment*
1	4,76	-	-	0405.0103.0301	0405.0105.0301
2	9,84	-	-	0405.0103.0302	0405.0105.0302
3	14,92	-	-	0405.0103.0303	0405.0105.0303
4	20,00	-	-	0405.0103.0304	0405.0105.0304
5	25,08	-	-	0405.0103.0305	0405.0105.0305
6	30,16	-	-	0405.0103.0306	0405.0105.0306
7	35,24	-	-	0405.0103.0307	0405.0105.0307
8	40,32	25,40	-	0405.0103.0308	0405.0105.0308
9	45,40	30,40	-	0405.0103.0309	0405.0105.0309
10	50,48	35,50	-	0405.0103.0310	0405.0105.0310
11	55,56	40,60	-	0405.0103.0311	0405.0105.0311
12	60,64	45,70	-	0405.0103.0312	0405.0105.0312
13	65,72	50,80	-	0405.0103.0313	0405.0105.0313
14	70,80	55,90	-	0405.0103.0314	0405.0105.0314
15	75,88	60,90	-	0405.0103.0315	0405.0105.0315
16	80,96	66,00	-	0405.0103.0316	0405.0105.0316
17	86,04	71,10	-	0405.0103.0317	0405.0105.0317
18	91,12	76,20	-	0405.0103.0318	0405.0105.0318
19	96,20	81,20	-	0405.0103.0319	0405.0105.0319
20	101,28	86,30	-	0405.0103.0320	0405.0105.0320
21	106,36	91,40	-	0405.0103.0321	0405.0105.0321
28	141,92	127,00	-	0405.0103.0328	0405.0105.0328
42	213,04	198,10	101,60	0405.0103.0342	0405.0105.0342
63	319,72	304,80	157,50	0405.0103.0363	0405.0105.0363
84	426,40	401,50	203,20	0405.0103.0384	0405.0105.0384

Aluminium UNI 5005/1 thickness 2.5 mm smooth surface - Surtec 650 - Double treatment
 The code only includes the front
 *Anodized front and Surtec 650 rear treatment



6U EMC EXTRUDED BLANK FRONT PANEL



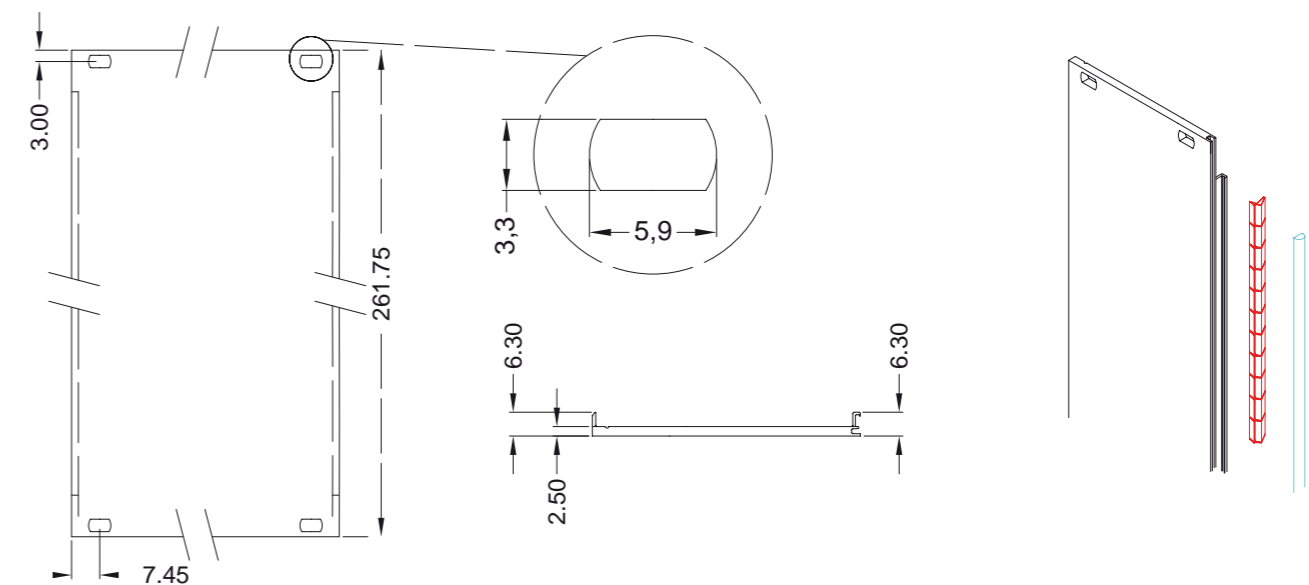
6U EMC extruded blank front panel

Size				Purchase code	
TE	B mm	b1 mm	b2 mm	Surtec 650	Double treatment*
1	4,76	-	-	0405.0103.0601	0405.0105.0601
2	9,84	-	-	0405.0103.0602	0405.0105.0602
3	14,92	-	-	0405.0103.0603	0405.0105.0603
4	20,00	-	-	0405.0103.0604	0405.0105.0604
5	25,08	-	-	0405.0103.0605	0405.0105.0605
6	30,16	-	-	0405.0103.0606	0405.0105.0606
7	35,24	-	-	0405.0103.0607	0405.0105.0607
8	40,32	25,40	-	0405.0103.0608	0404.0105.0608
9	45,40	30,40	-	0405.0103.0609	0404.0105.0609
10	50,48	35,50	-	0405.0103.0610	0405.0105.0610
11	55,56	40,60	-	0405.0103.0611	0405.0105.0611
12	60,64	45,70	-	0405.0103.0612	0405.0105.0612
13	65,72	50,80	-	0405.0103.0613	0405.0105.0613
14	70,80	55,90	-	0405.0103.0614	0405.0105.0614
15	75,88	60,90	-	0405.0103.0615	0405.0105.0615
16	80,96	66,00	-	0405.0103.0616	0405.0105.0616
17	86,04	71,10	-	0405.0103.0617	0405.0105.0617
18	91,12	76,20	-	0405.0103.0618	0405.0105.0618
19	96,20	81,20	-	0405.0103.0619	0405.0105.0619
20	101,28	86,30	-	0405.0103.0620	0405.0105.0620
21	106,36	91,40	-	0405.0103.0621	0405.0105.0621
28	141,92	127,00	-	0405.0103.0628	0405.0105.0628
42	213,04	198,10	101,60	0405.0103.0642	0405.0105.0642
63	319,72	304,80	157,50	0405.0103.0663	0405.0105.0663
84	426,40	401,50	203,20	0405.0103.0684	0405.0105.0684

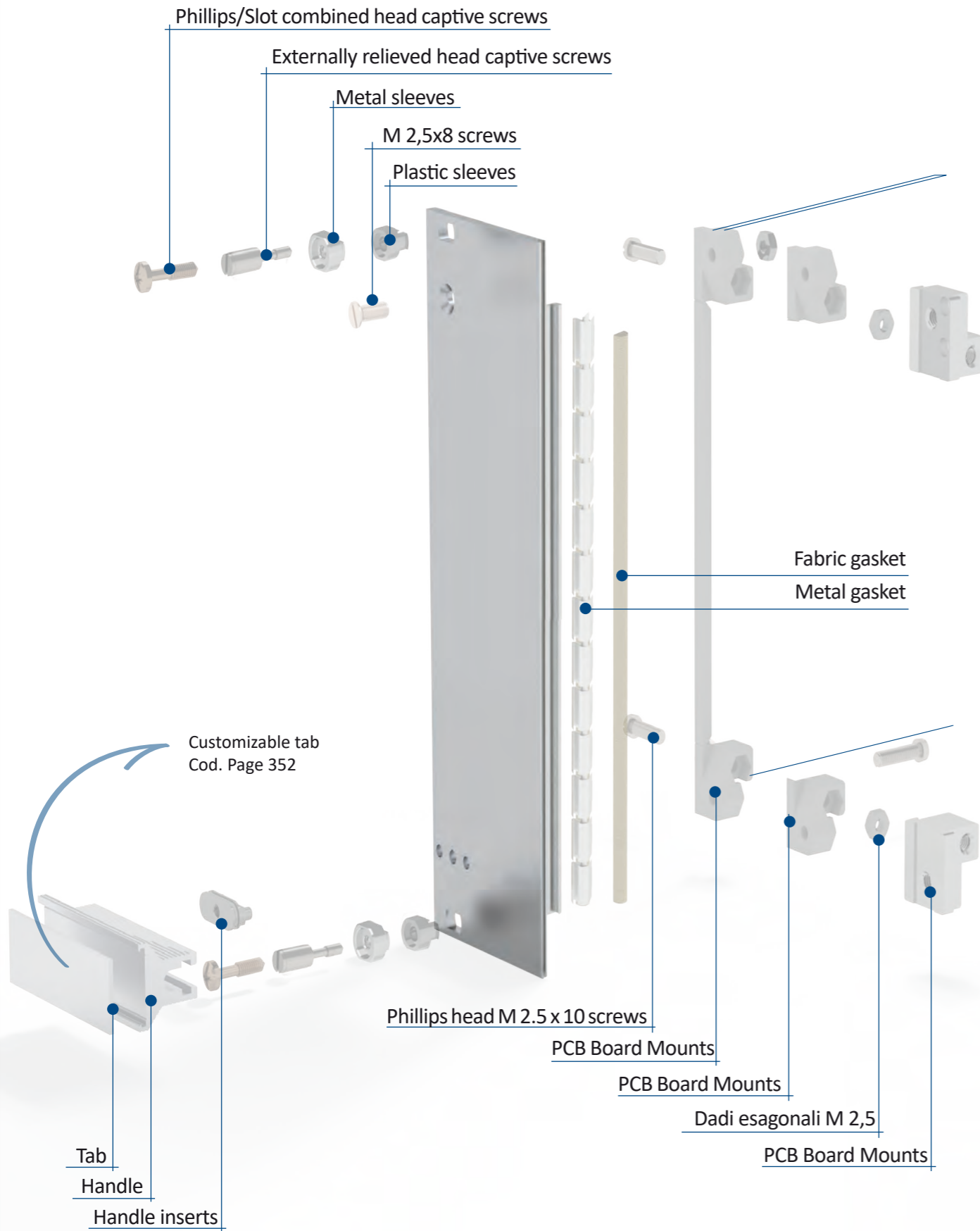
Aluminium UNI 5005/1 thickness 2.5 mm smooth surface - Surtec 650 - Double treatment

The code only includes the front

*Anodized front and Surtec 650 rear treatment



3U EMC EXTRUDED FRONT PANEL FOR PCBs AND HANDLES



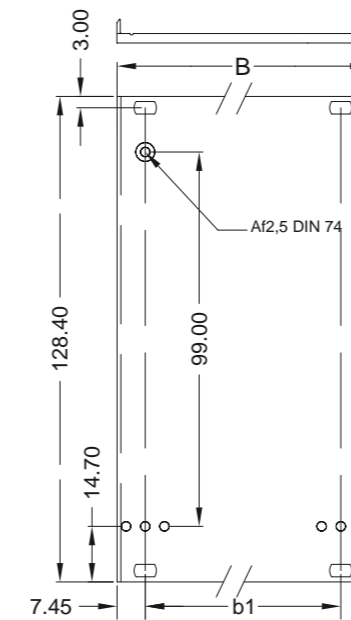
3U EMC extruded front panel for PCBs and handles








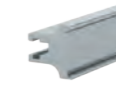








Size			Purchase code	
TE	B mm	b1 mm	Surtec 650	Double treatment*
4	20,00	-	0405.0303.0304	0405.0305.0304
5	25,08	-	0405.0303.0305	0405.0305.0305
6	30,16	-	0405.0303.0306	0405.0305.0306
7	35,24	-	0405.0303.0307	0405.0305.0307
8	40,32	25,40	0405.0303.0308	0405.0305.0308
9	45,40	30,40	0405.0303.0309	0405.0305.0309
10	50,48	35,50	0405.0303.0310	0405.0305.0310
11	55,56	40,60	0405.0303.0311	0405.0305.0311
12	60,64	45,70	0405.0303.0312	0405.0305.0312
13	65,72	50,80	0405.0303.0313	0405.0305.0313
14	70,80	55,90	0405.0303.0314	0405.0305.0314
15	75,88	60,90	0405.0303.0315	0405.0305.0315
16	80,96	66,00	0405.0303.0316	0405.0305.0316

Aluminium UNI 5005/1 thickness 2.5 mm smooth surface - Surtec 650 - Double treatment

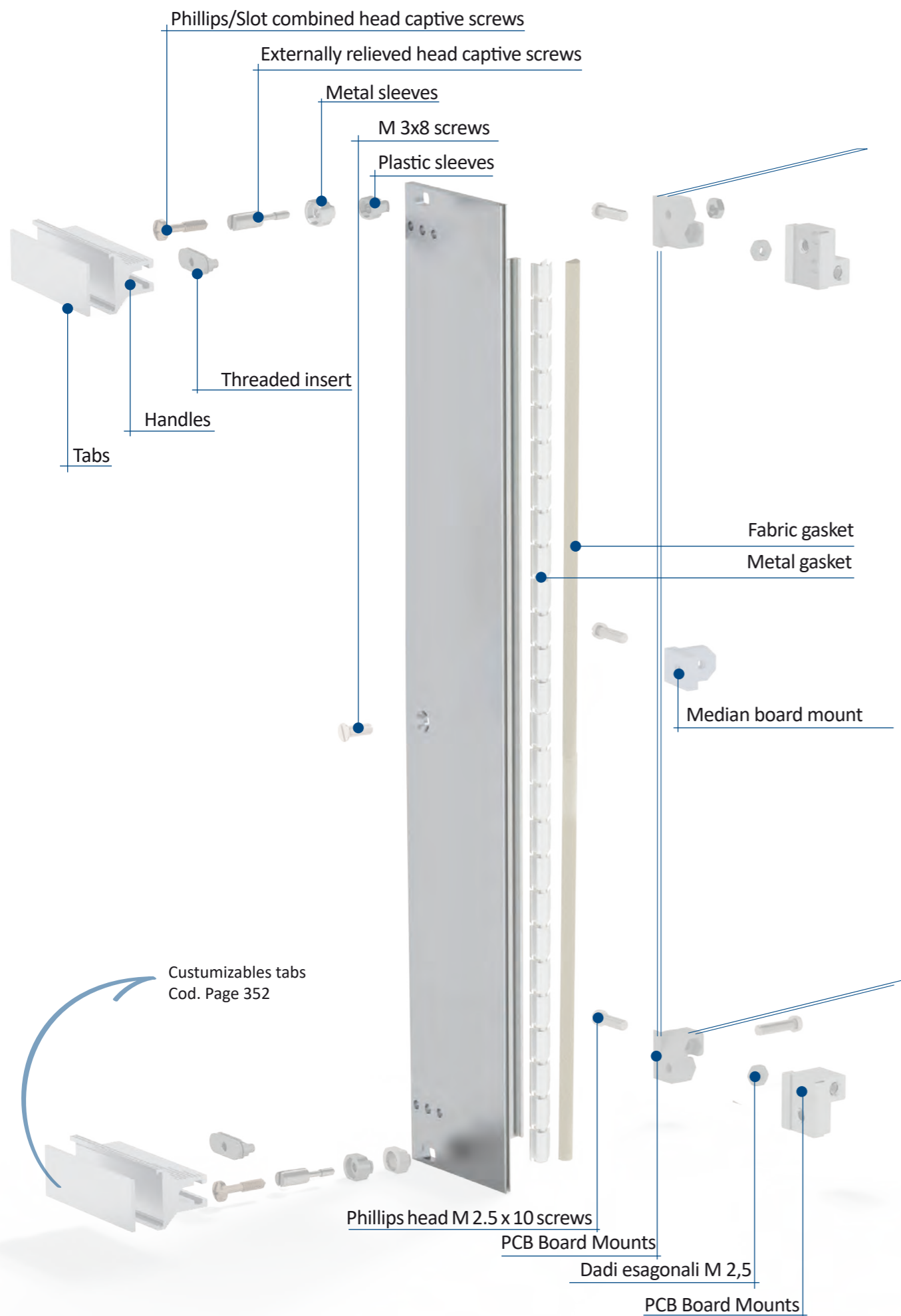
The code only includes the front

*Anodized front and Surtec 650 rear treatment



-   Sleeves
All types and codes at page 348
-   Captive screws
All types and codes at page 349
-   PCB Board Mounts
All types and codes at page 355
-   Handles
All types and codes at page 350
-   Screws and washers
All types and codes at page 349
-   Insert
All types and codes at page 348
-   Tab
All types and codes at page 352
-   EMC gaskets
All types and codes at page 354

6U EMC EXTRUDED FRONT PANEL FOR PCBs AND HANDLES



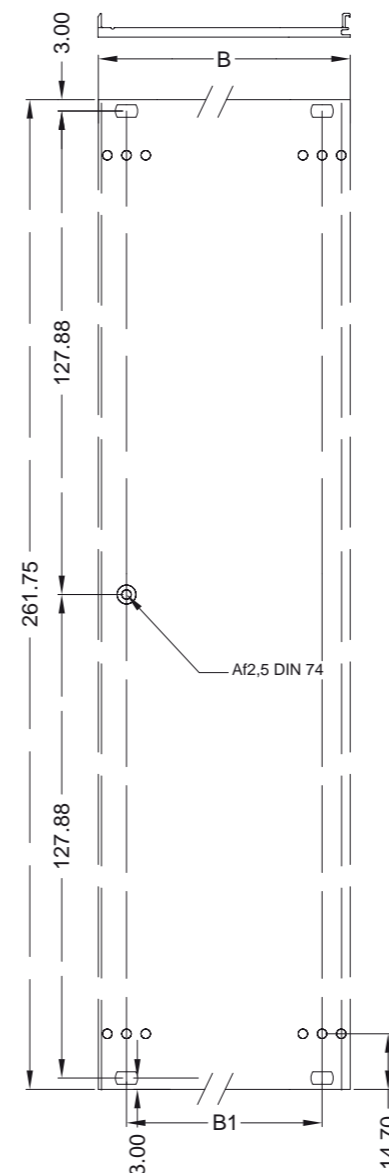
6U EMC extruded front panel for PCBs and handles

Size			Purchase code	
TE	B mm	b1 mm	Surtec 650	Double treatment*
4	20,00	-	0405.0303.0604	0405.0305.0604
5	25,08	-	0405.0303.0605	0405.0305.0605
6	30,16	-	0405.0303.0606	0405.0305.0606
7	35,24	-	0405.0303.0607	0405.0305.0607
8	40,32	25,40	0405.0303.0608	0405.0305.0608
9	45,40	30,40	0405.0303.0609	0405.0305.0609
10	50,48	35,50	0405.0303.0610	0405.0305.0610
11	55,56	40,60	0405.0303.0611	0405.0305.0611
12	60,64	45,70	0405.0303.0612	0405.0305.0612
13	65,72	50,80	0405.0303.0613	0405.0305.0613
14	70,80	55,90	0405.0303.0614	0405.0305.0614
15	75,88	60,90	0405.0303.0615	0405.0305.0615
16	80,96	66,00	0405.0303.0616	0405.0305.0616

Aluminium UNI 5005/1 thickness 2.5 mm smooth surface - Surtec 650 - Double treatment

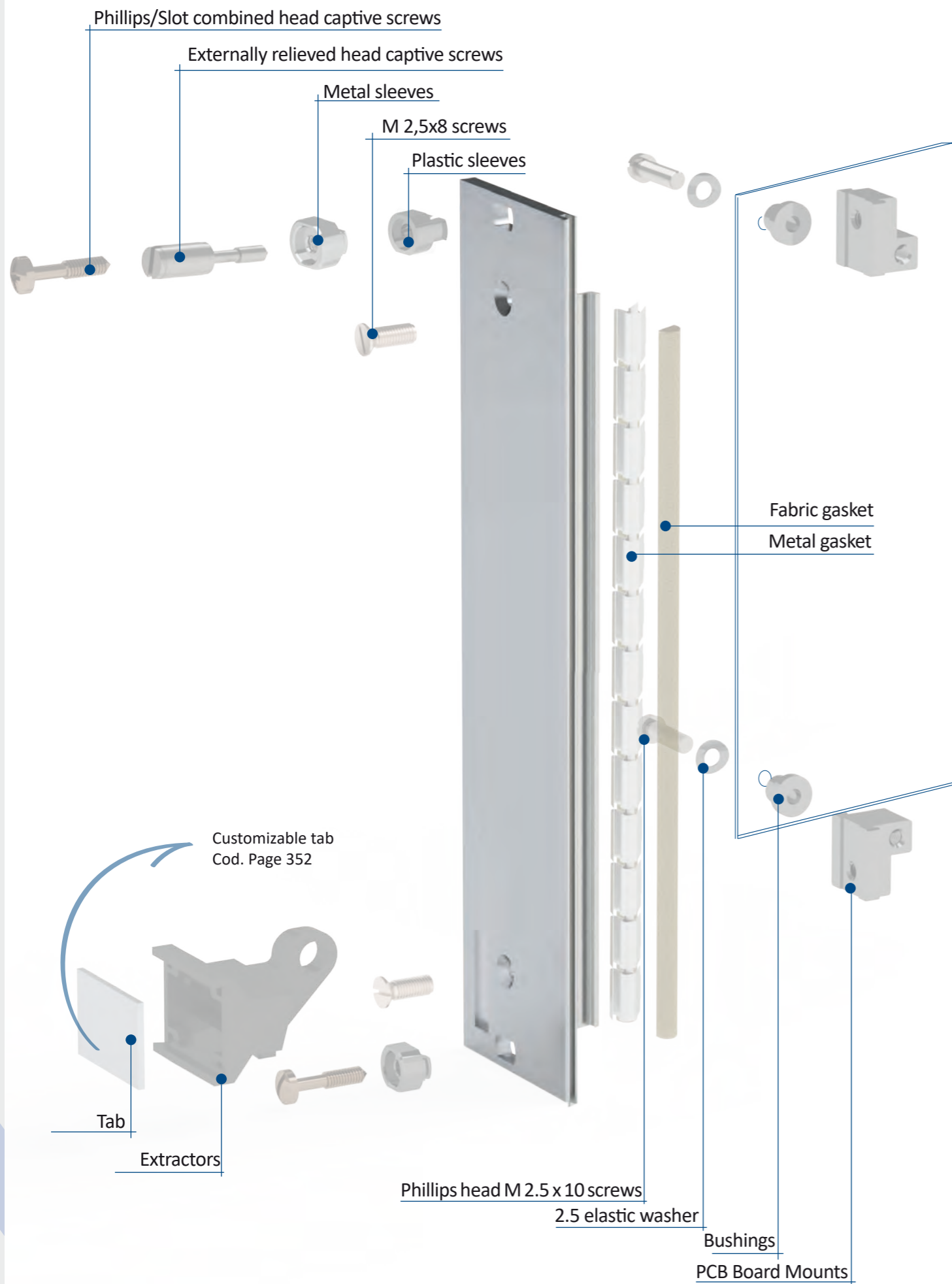
The code only includes the front

*Anodized front and Surtec 650 rear treatment



- Sleeves
All types and codes at page 348
- Captive screws
All types and codes at page 349
- PCB Board Mounts
All types and codes at page 355
- Handles
All types and codes at page 350
- Screws and washers
All types and codes at page 349
- Insert
All types and codes at page 348
- Tab
All types and codes at page 352
- EMC gaskets
All types and codes at page 354

3U EMC EXTRUDED FRONT PANEL FOR EXTRACTOR



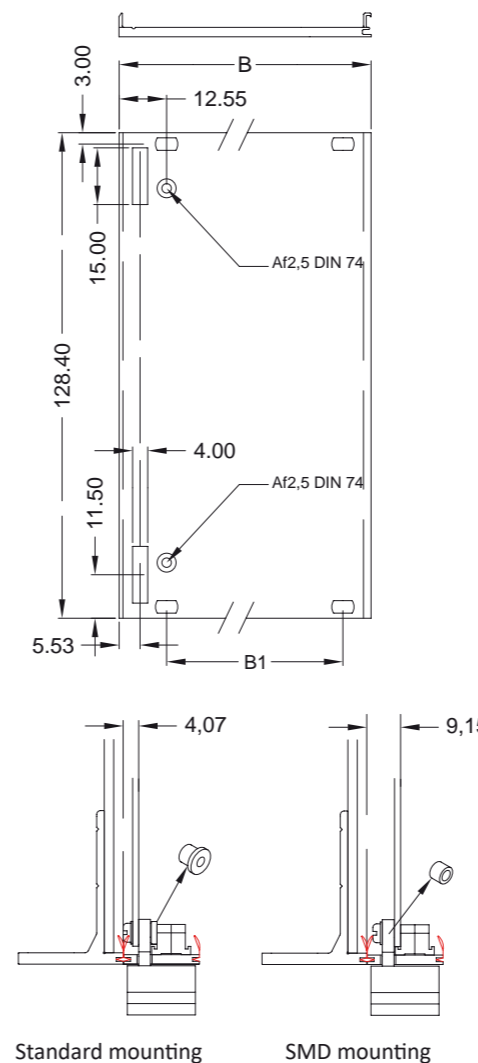
3U EMC extruded front panel for extractor

Size			Purchase code	
TE	B mm	b1 mm	Surtec 650	Double treatment*
3	14,92	-	0405.0403.0303	0405.0405.0303
4	20,00	-	0405.0403.0304	0405.0405.0304
5	25,08	-	0405.0403.0305	0405.0405.0305
6	30,16	-	0405.0403.0306	0405.0405.0306
7	35,24	-	0405.0403.0307	0405.0405.0307
8	40,32	25,40	0405.0403.0308	0405.0405.0308
9	45,40	30,40	0405.0403.0309	0405.0405.0309
10	50,48	35,50	0405.0403.0310	0405.0405.0310
11	55,56	40,60	0405.0403.0311	0405.0405.0311
12	60,64	45,70	0405.0403.0312	0405.0405.0312
13	65,72	50,80	0405.0403.0313	0405.0405.0313
14	70,80	55,90	0405.0403.0314	0405.0405.0314
15	75,88	60,90	0405.0403.0315	0405.0405.0315
16	80,96	66,00	0405.0403.0316	0405.0405.0316

Aluminium UNI 5005/1 thickness 2.5 mm smooth surface - Surtec 650 - Double treatment

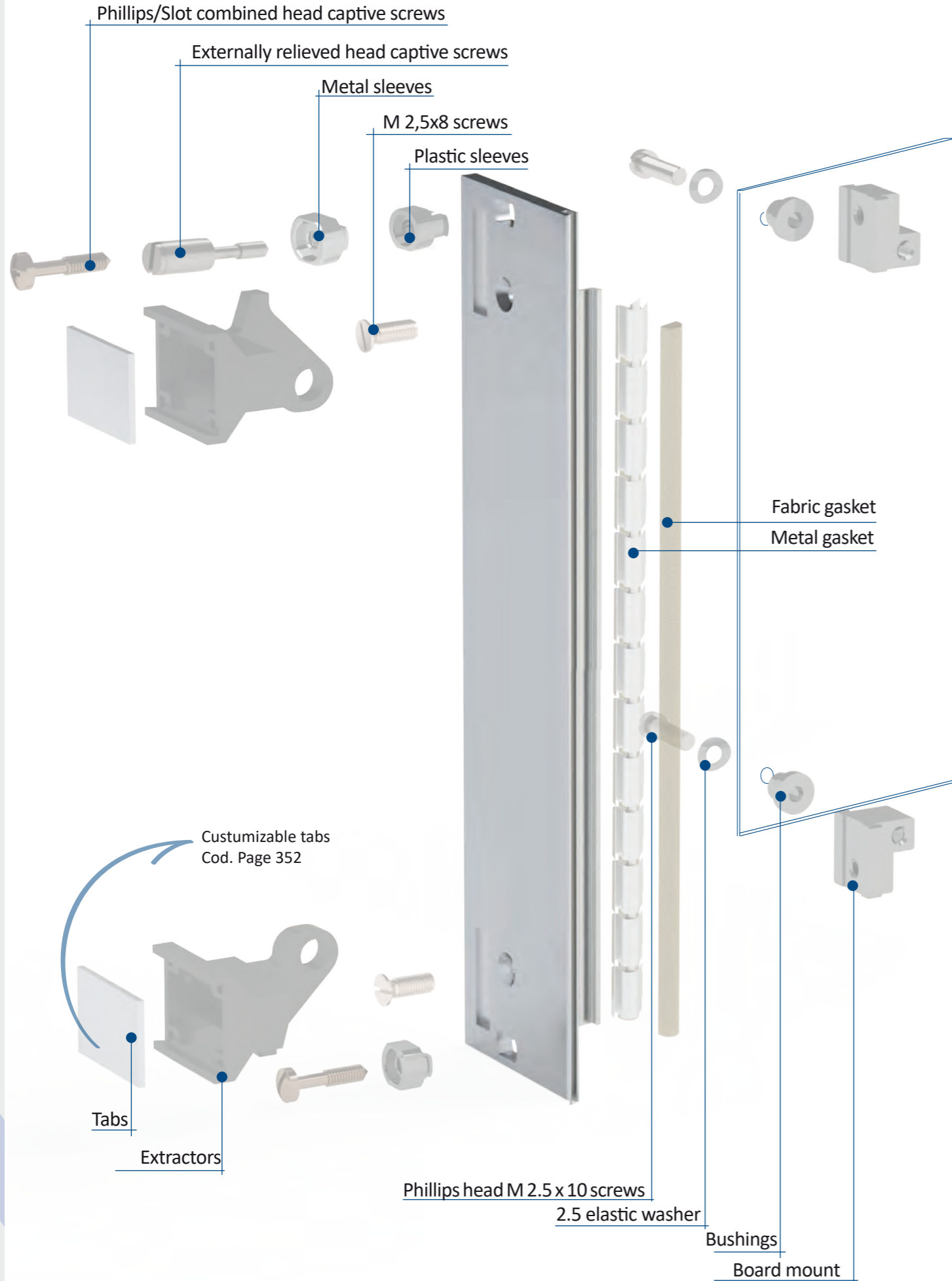
The code only includes the front

*Anodized front and Surtec 650 rear treatment



- Sleeves
All types and codes at page 348
- Captive screws
All types and codes at page 349
- PCB Board Mounts
All types and codes at page 355
- Extractors
All types and codes at page 352
- Screws and washers
All types and codes at page 349
- Tab
All types and codes at page 352
- Bushings
All types and codes at page 348
- EMC gaskets
All types and codes at page 354

3U EMC EXTRUDED FRONT PANEL FOR EXTRACTORS



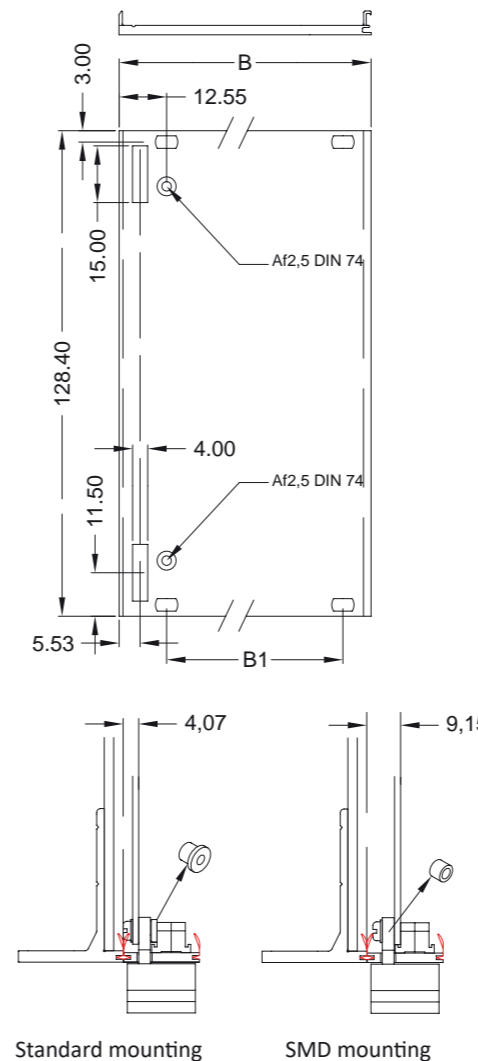
3U EMC extruded front panel for extractors

Size			Purchase code	
TE	B mm	b1 mm	Surtec 650	Double treatment*
3	14,92	-	0405.0503.0303	0405.0505.0303
4	20,00	-	0405.0503.0304	0405.0505.0304
5	25,08	-	0405.0503.0305	0405.0505.0305
6	30,16	-	0405.0503.0306	0405.0505.0306
7	35,24	-	0405.0503.0307	0405.0505.0307
8	40,32	25,40	0405.0503.0308	0405.0505.0308
9	45,40	30,40	0405.0503.0309	0405.0505.0309
10	50,48	35,50	0405.0503.0310	0405.0505.0310
11	55,56	40,60	0405.0503.0311	0405.0505.0311
12	60,64	45,70	0405.0503.0312	0405.0505.0312
13	65,72	50,80	0405.0503.0313	0405.0505.0313
14	70,80	55,90	0405.0503.0314	0405.0505.0314
15	75,88	60,90	0405.0503.0315	0405.0505.0315
16	80,96	66,00	0405.0503.0316	0405.0505.0316

Aluminium UNI 5005/1 thickness 2.5 mm smooth surface - Surtec 650 - Double treatment

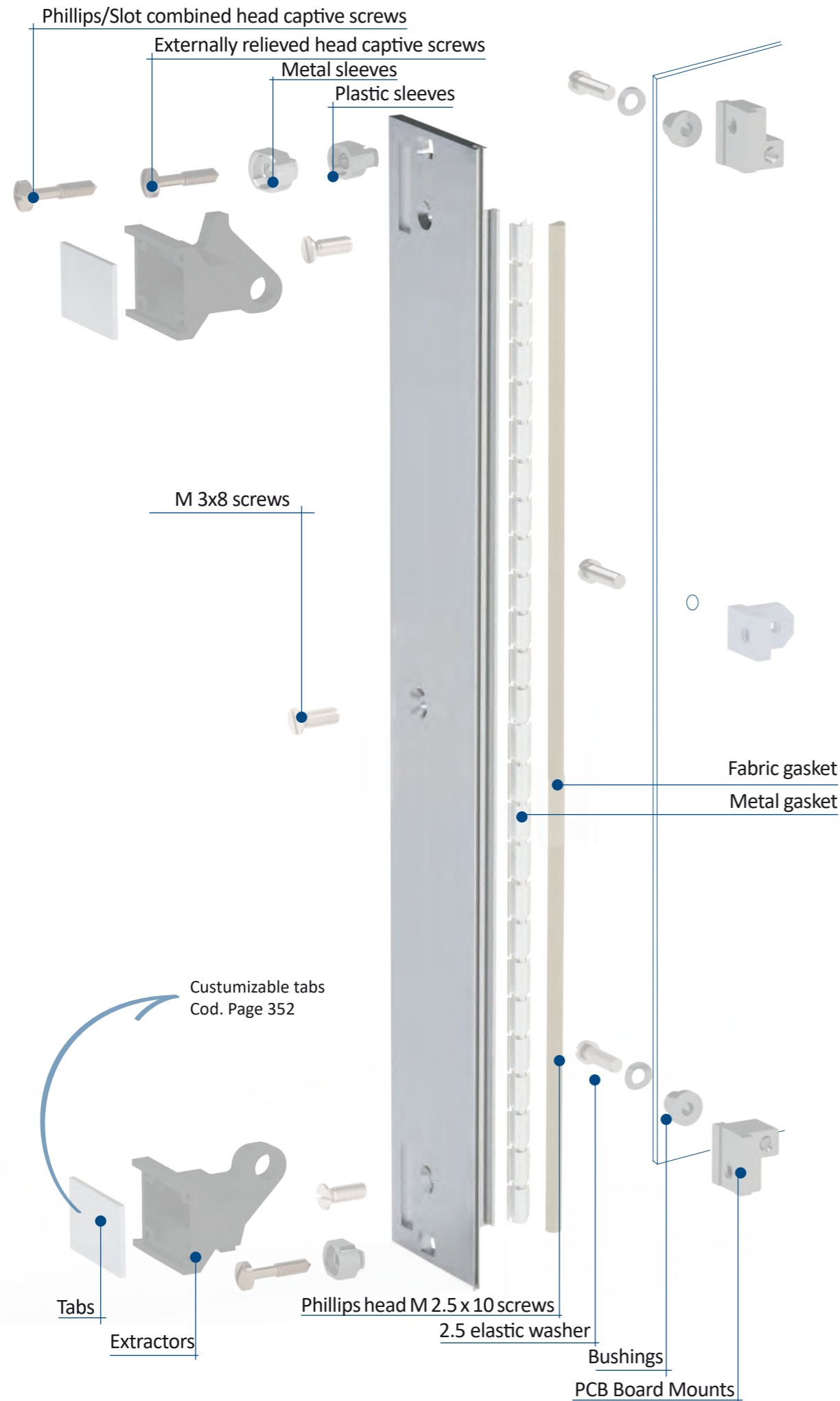
The code only includes the front

*Anodized front and Surtec 650 rear treatment



-   Sleeves
All types and codes at page 348
-   Captive screws
All types and codes at page 349
-   PCB Board Mounts
All types and codes at page 355
-   Extractors
All types and codes at page 352
-   Screws and washers
All types and codes at page 349
-   Tab
All types and codes at page 352
-   Bushings
All types and codes at page 348
-   EMC gaskets
All types and codes at page 354

6U EMC EXTRUDED FRONT PANEL FOR EXTRACTORS



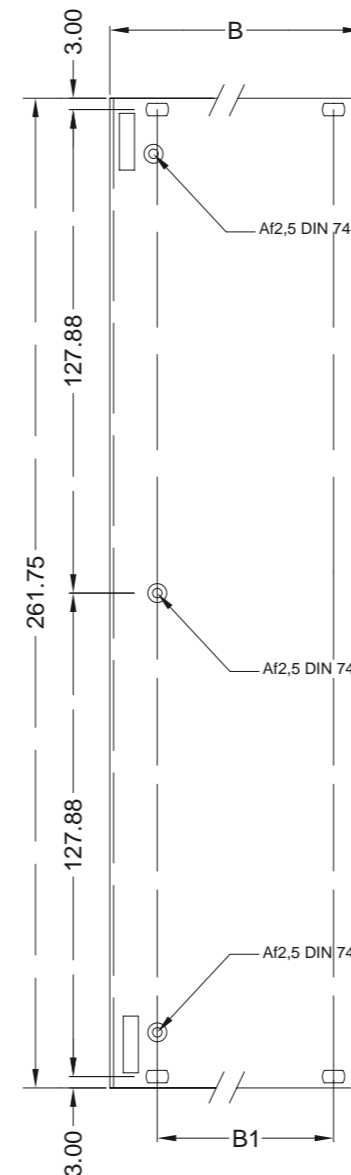
6U EMC extruded front panel for extractors

Size			Purchase code	
TE	B mm	b1 mm	Surtec 650	Double treatment*
3	14,92	-	0405.0503.0603	0405.0505.0603
4	20,00	-	0405.0503.0604	0405.0505.0604
5	25,08	-	0405.0503.0605	0405.0505.0605
6	30,16	-	0405.0503.0606	0405.0505.0606
7	35,24	-	0405.0503.0607	0405.0505.0607
8	40,32	25,40	0405.0503.0608	0405.0505.0608
9	45,40	30,40	0405.0503.0609	0405.0505.0609
10	50,48	35,50	0405.0503.0610	0405.0505.0610
11	55,56	40,60	0405.0503.0611	0405.0505.0611
12	60,64	45,70	0405.0503.0612	0405.0505.0612
13	65,72	50,80	0405.0503.0613	0405.0505.0613
14	70,80	55,90	0405.0503.0614	0405.0505.0614
15	75,88	60,90	0405.0503.0615	0405.0505.0615
16	80,96	66,00	0405.0503.0616	0405.0505.0616

Aluminium UNI 5005/1 thickness 2.5 mm smooth surface - Surtec 650 - Double treatment

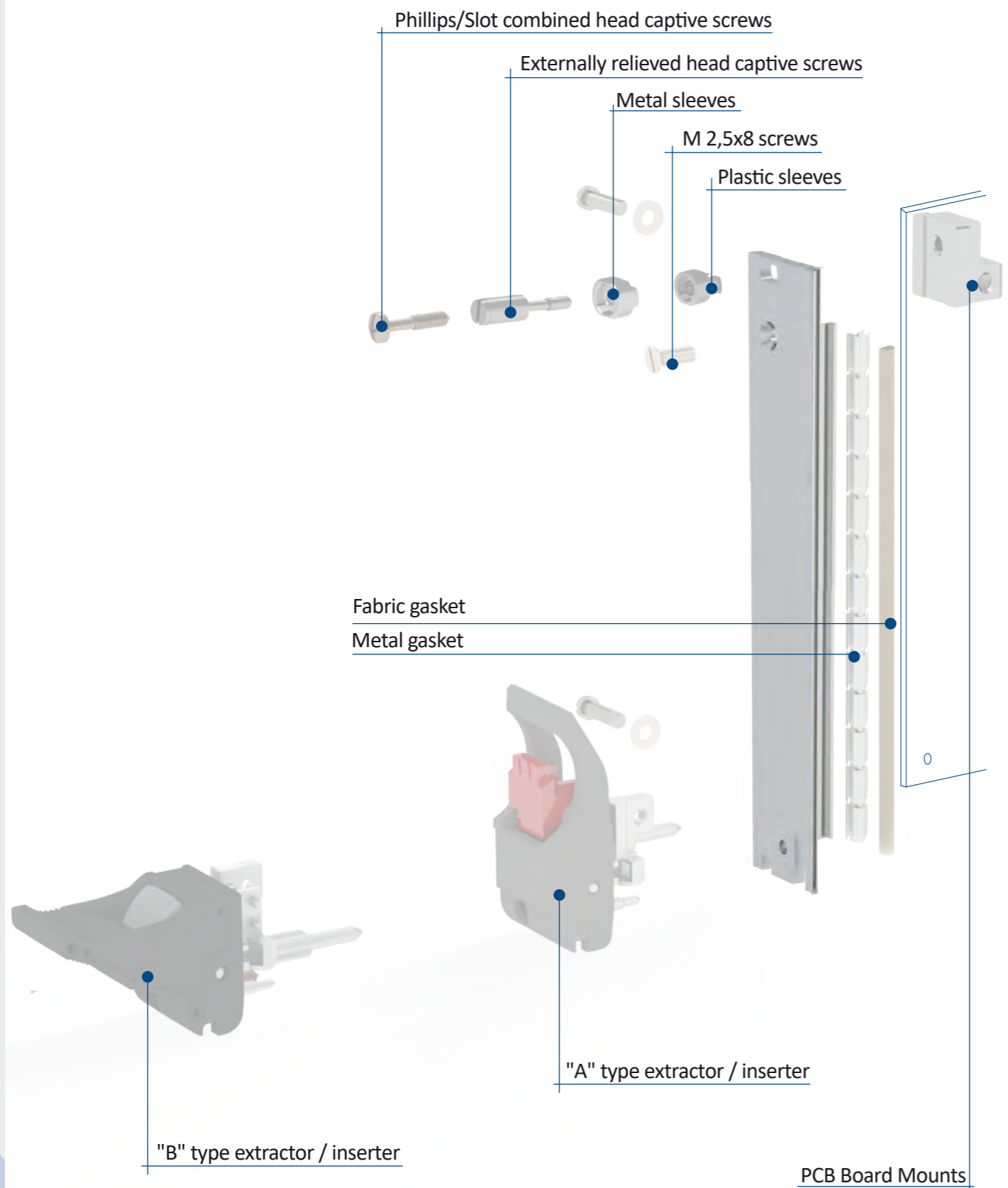
The code only includes the front

*Anodized front and Surtec 650 rear treatment



- Sleeves
All types and codes at page 348
- Captive screws
All types and codes at page 349
- PCB Board Mounts
All types and codes at page 355
- Extractors
All types and codes at page 352
- Screws and washers
All types and codes at page 349
- Tab
All types and codes at page 352
- Bushings
All types and codes at page 348
- EMC gaskets
All types and codes at page 354

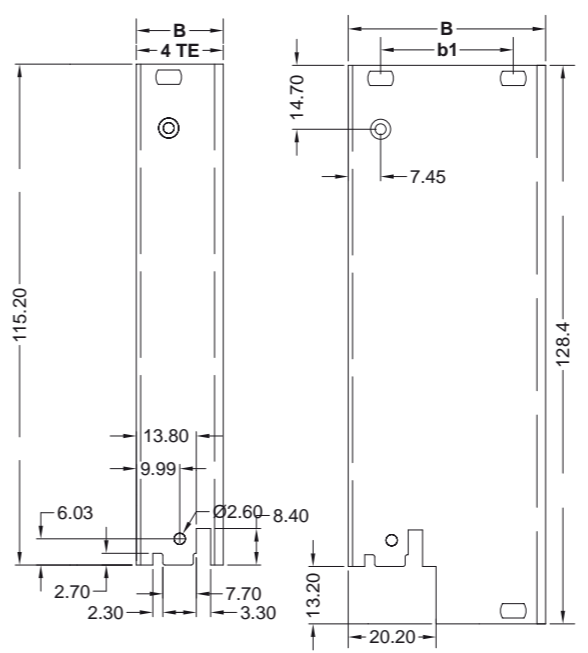
3U EMC EXTRUDED FRONT PANELS FOR "A" AND "B" TYPE EXTRACTORS AND INSERTORS



3U EMC extruded front panel for "A" and "B" type extractors

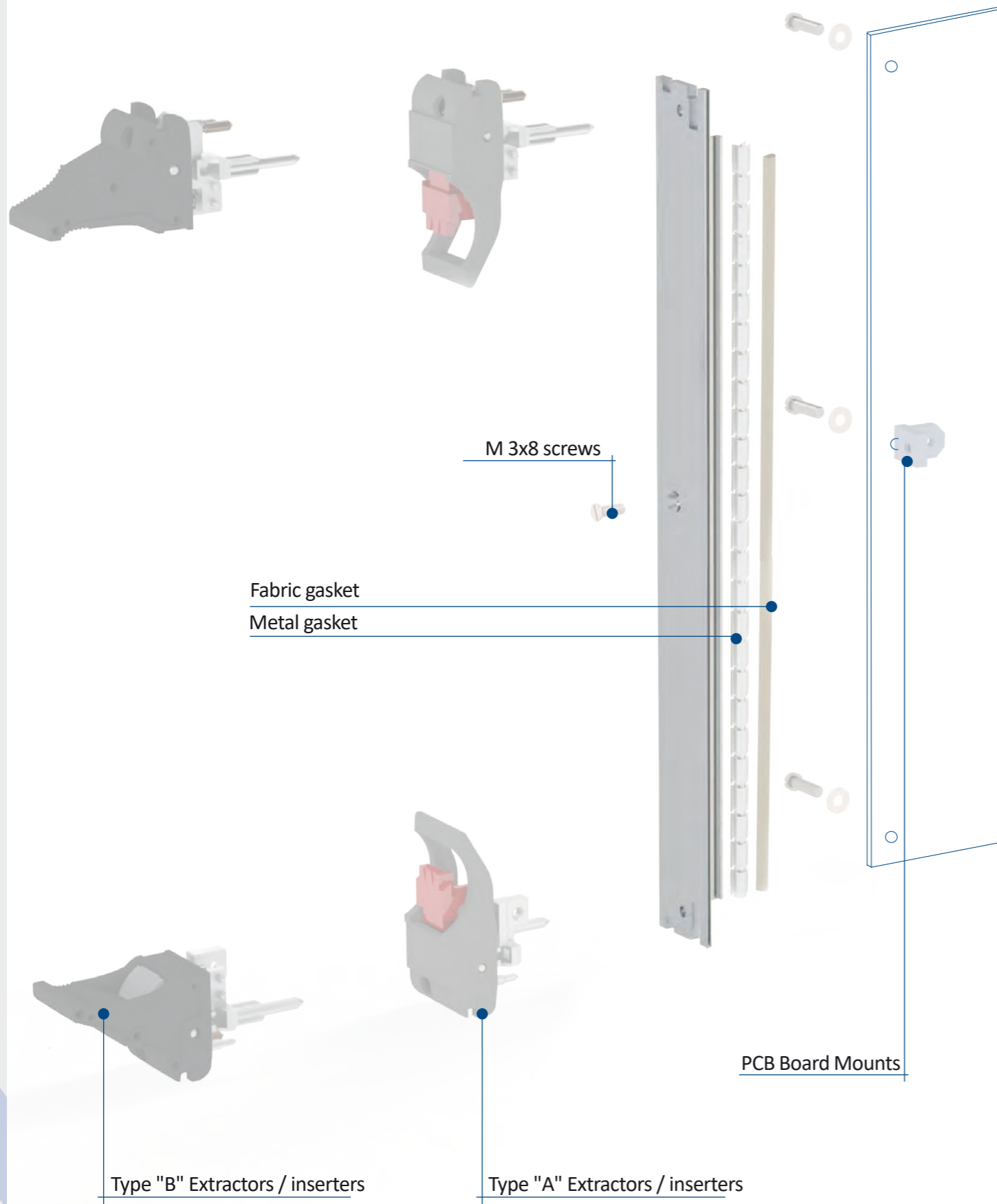
Size			Purchase code	
TE	B mm	b1 mm	Surtec 650	Double treatment*
4	20,00	-	0405.1003.0304	0405.1005.0304
5	25,08	-	0405.1003.0305	0405.1005.0305
6	30,16	-	0405.1003.0306	0405.1005.0306
7	35,24	-	0405.1003.0307	0405.1005.0307
8	40,32	25,40	0405.1003.0308	0405.1005.0308
9	45,40	30,40	0405.1003.0309	0405.1005.0309
10	50,48	35,50	0405.1003.0310	0405.1005.0310
11	55,56	40,60	0405.1003.0311	0405.1005.0311
12	60,64	45,70	0405.1003.0312	0405.1005.0312
13	65,72	50,80	0405.1003.0313	0405.1005.0313
14	70,80	55,90	0405.1003.0314	0405.1005.0314
15	75,88	60,90	0405.1003.0315	0405.1005.0315
16	80,96	66,00	0405.1003.0316	0405.1005.0316

Aluminium UNI 5005/1 thickness 2.5 mm smooth surface - Surtec 650 - Double treatment
 The code only includes the front
 *Anodized front and Surtec 650 rear treatment



-  **Sleeves**
All types and codes at page 348
-  **Captive screws**
All types and codes at page 349
-  **PCB Board Mounts**
All types and codes at page 355
-  **Extractors / insertors**
All types and codes at page 353
-  **Screws and washers**
All types and codes at page 349
-  **EMC gaskets**
All types and codes at page 354

6U EMC EXTRUDED FRONT PANELS FOR "A" AND "B" TYPE EXTRACTORS AND INSERTORS



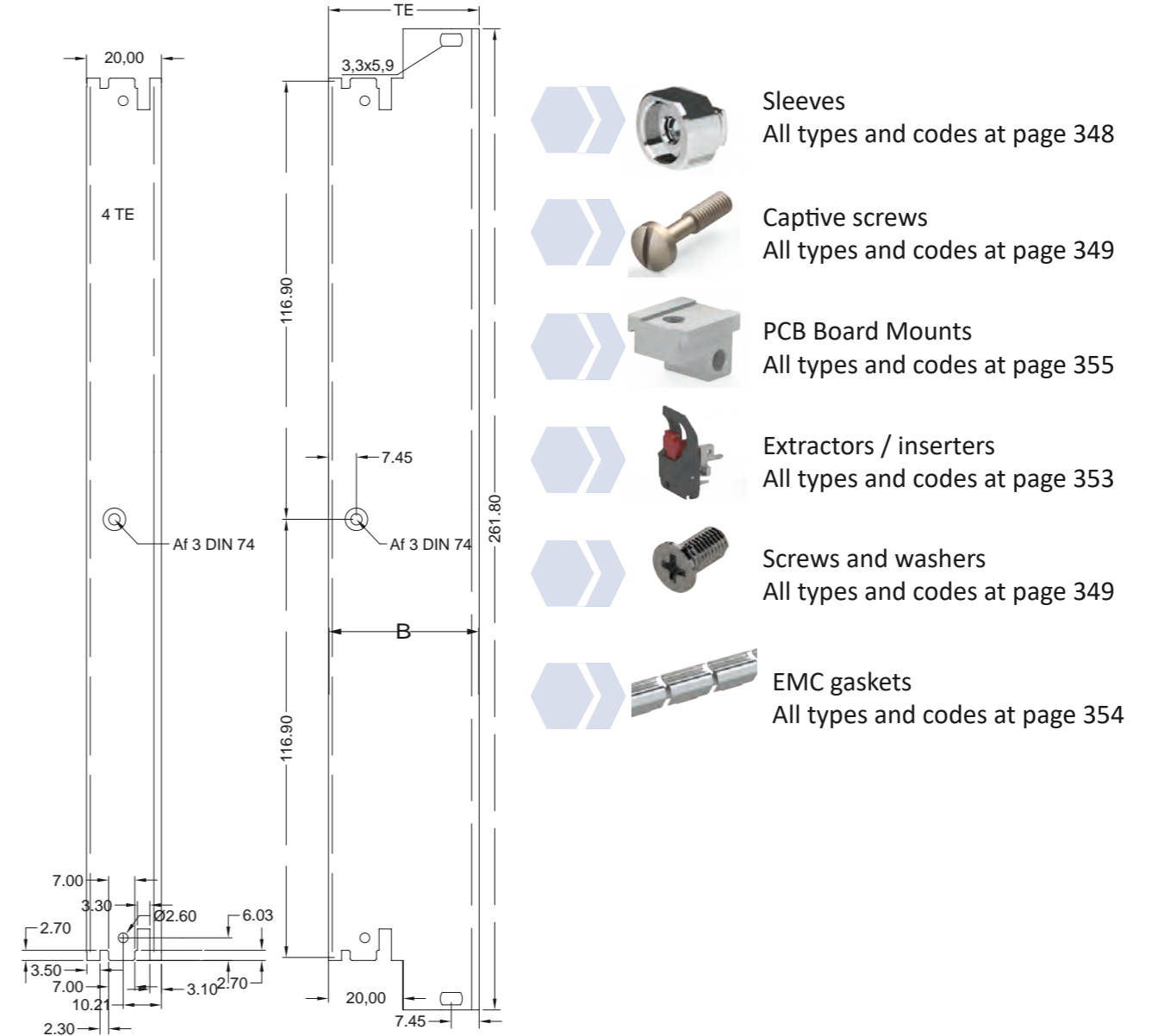
6U EMC extruded front panel for "A" and "B" type extractors

Size		Purchase code	
TE	B mm	Surtec 650	Double treatment*
4	20,00	0405.1003.0604	0405.1005.0604
5	25,08	0405.1003.0605	0405.1005.0605
6	30,16	0405.1003.0606	0405.1005.0606
7	35,24	0405.1003.0607	0405.1005.0607
8	40,32	0405.1003.0608	0405.1005.0608
9	45,40	0405.1003.0609	0405.1005.0609
10	50,48	0405.1003.0610	0405.1005.0610
11	55,56	0405.1003.0611	0405.1005.0611
12	60,64	0405.1003.0612	0405.1005.0612
13	65,72	0405.1003.0613	0405.1005.0613
14	70,80	0405.1003.0614	0405.1005.0614
15	75,88	0405.1003.0615	0405.1005.0615
16	80,96	0405.1003.0616	0405.1005.0616

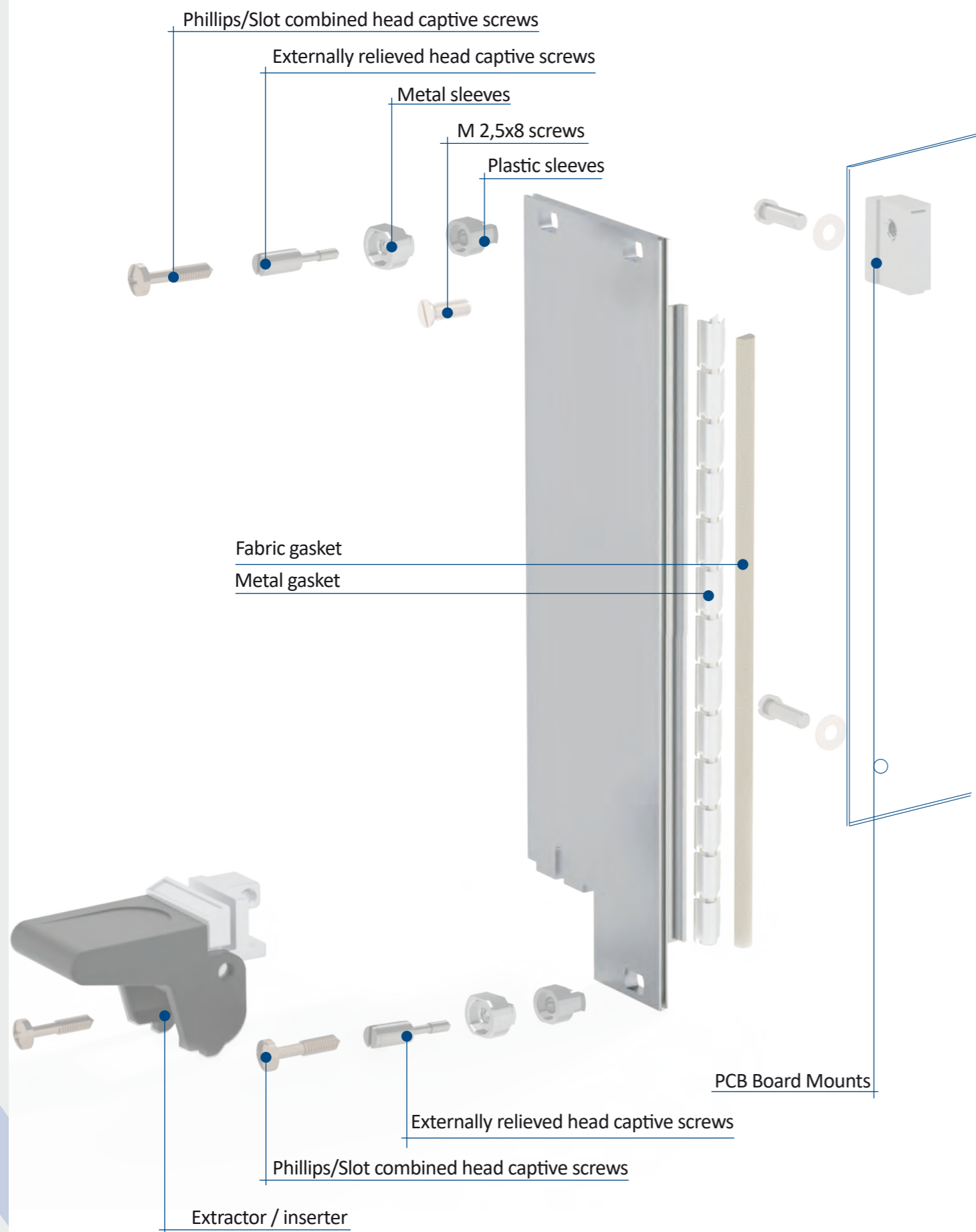
Aluminium UNI 5005/1 thickness 2.5 mm smooth surface - Surtec 650 - Double treatment

The code only includes the front

*Anodized front and Surtec 650 rear treatment



3U EMC EXTRUDED FRONT PANELS FOR "C" TYPE EXTRACTORS AND INSERTORS



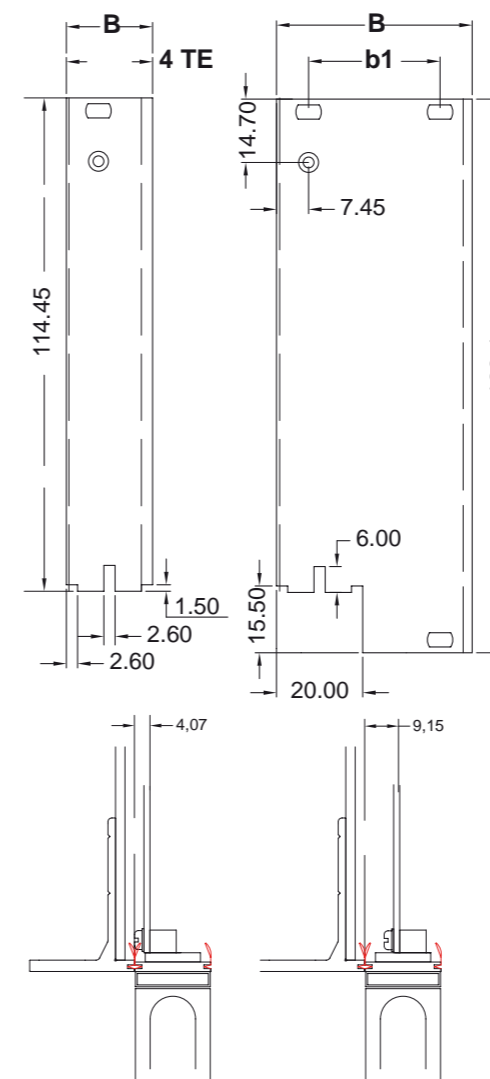
3U EMC extruded front panel for "C" type extractors

Size			Purchase code	
TE	B mm	b1 mm	Surtec 650	Double treatment*
4	20,00	-	0405.0603.0304	0405.0605.0304
5	25,08	-	0405.0603.0305	0405.0605.0305
6	30,16	-	0405.0603.0306	0405.0605.0306
7	35,24	-	0405.0603.0307	0405.0605.0307
8	40,32	25,4	0405.0603.0308	0405.0605.0308
9	45,40	30,40	0405.0603.0309	0405.0605.0309
10	50,48	35,50	0405.0603.0310	0405.0605.0310
11	55,56	40,60	0405.0603.0311	0405.0605.0311
12	60,64	45,70	0405.0603.0312	0405.0605.0312
13	65,72	50,80	0405.0603.0313	0405.0605.0313
14	70,80	55,90	0405.0603.0314	0405.0605.0314
15	75,88	60,90	0405.0603.0315	0405.0605.0315
16	80,96	66,00	0405.0603.0316	0405.0605.0316

Aluminium UNI 5005/1 thickness 2.5 mm smooth surface - Surtec 650 - Double treatment

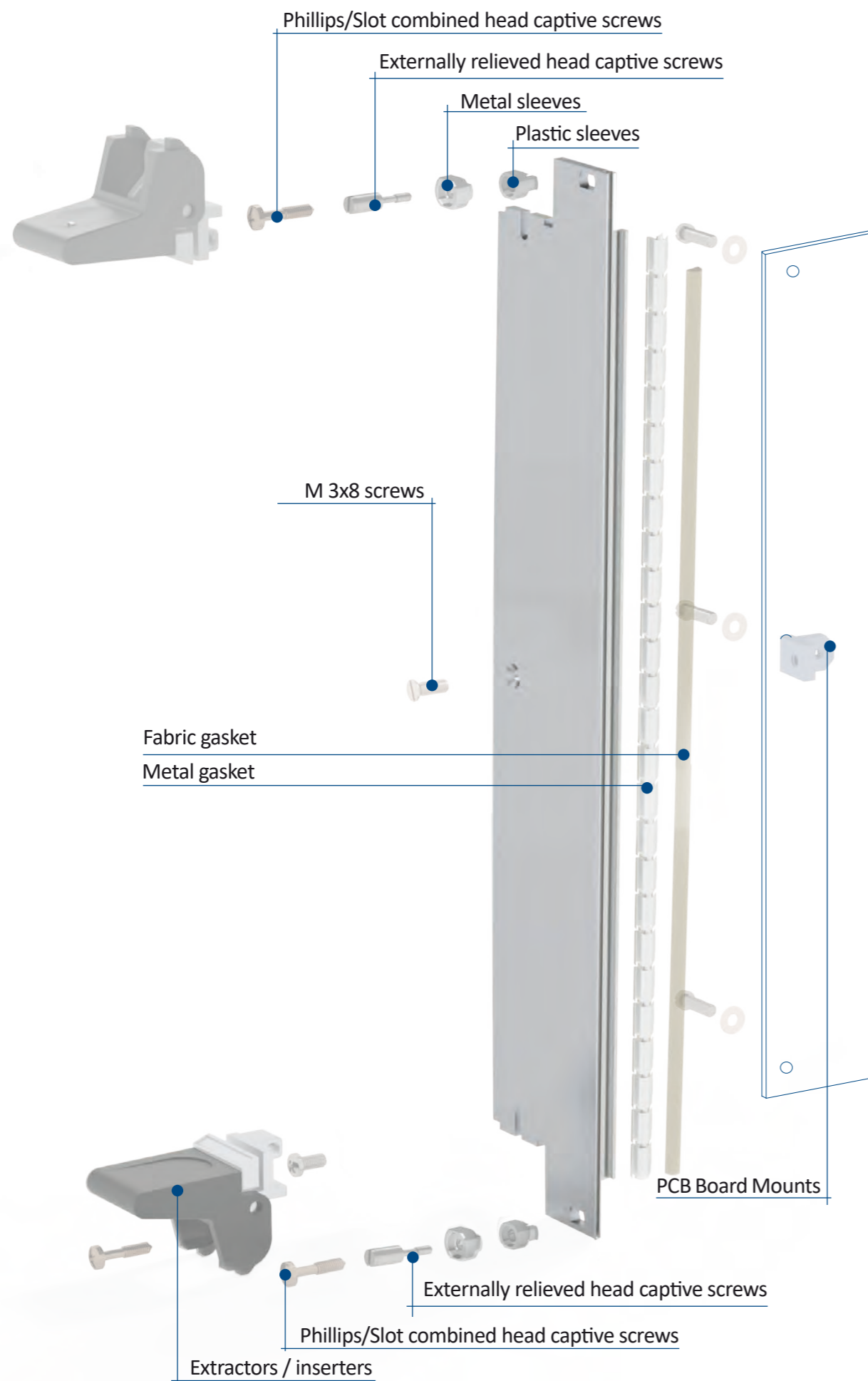
The code only includes the front

*Anodized front and Surtec 650 rear treatment



- Sleeves
All types and codes at page 348
- Captive screws
All types and codes at page 349
- PCB Board Mounts
All types and codes at page 355
- Extractors / inserters
All types and codes at page 353
- Screws and washers
All types and codes at page 349
- EMC gaskets
All types and codes at page 354

6U EMC EXTRUDED FRONT PANELS FOR "C" TYPE EXTRACTORS AND INSERTORS



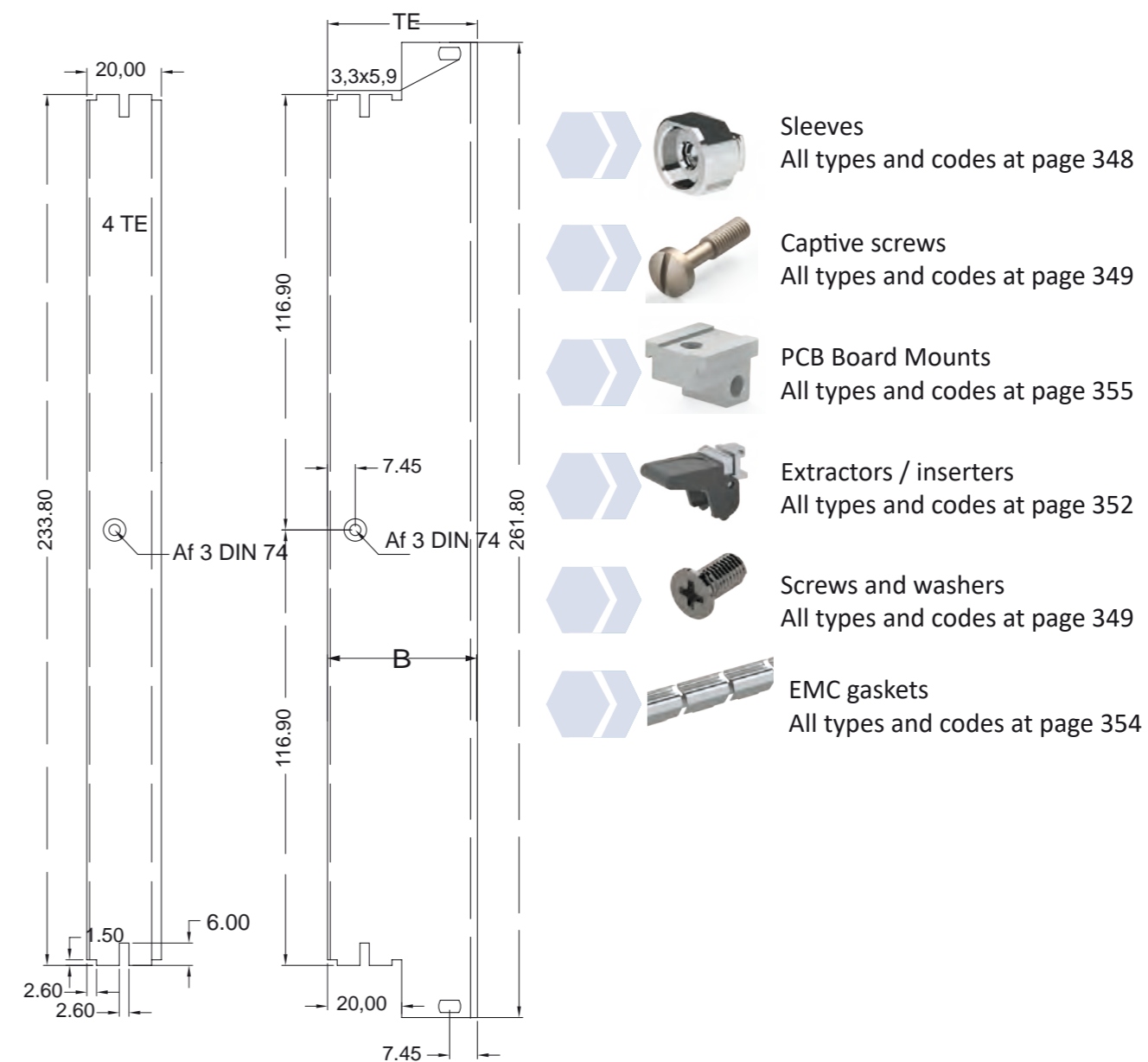
6U EMC extruded front panel for "C" type extractors

Size		Purchase code	
TE	B mm	Surtec 650	Double treatment*
4	20,00	0405.0603.0604	0405.0605.0604
5	25,08	0405.0603.0605	0405.0605.0605
6	30,16	0405.0603.0606	0405.0605.0606
7	35,24	0405.0603.0607	0405.0605.0607
8	40,32	0405.0603.0608	0405.0605.0608
9	45,40	0405.0603.0609	0405.0605.0609
10	50,48	0405.0603.0610	0405.0605.0610
11	55,56	0405.0603.0611	0405.0605.0611
12	60,64	0405.0603.0612	0405.0605.0612
13	65,72	0405.0603.0613	0405.0605.0613
14	70,80	0405.0603.0614	0405.0605.0614
15	75,88	0405.0603.0615	0405.0605.0615
16	80,96	0405.0603.0616	0405.0605.0616

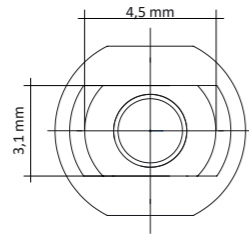
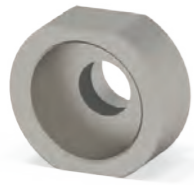
Aluminium UNI 5005/1 thickness 2.5 mm smooth surface - Surtec 650 - Double treatment

The code only includes the front

*Anodized front and Surtec 650 rear treatment



Metal sleeve



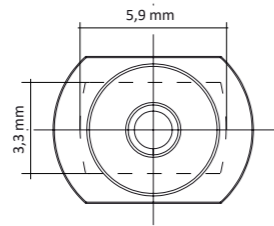
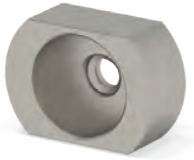
Purchase code

0505.2602

Nickel-plated brass

Eyelet : 4,5x3,1 mm

Metal sleeve



Purchase code

0505.2603

Nickel-plated brass

Eyelet : 5.9x3.3 mm

Plastic sleeve



Purchase code

0505.2604

Plastica

Eyelet : 5.9x3.3 mm

Handle inserts



Purchase code

0505.0601

White galvanized Zama

Bushings



Purchase code

1000.1002

1000.1003

Nickel-plated brass

M2.5 elastic washer



Purchase code

1000.0302.25

Galvanized steel

Hex nut: M2,5



Purchase code

1000.0401.25

Galvanized steel

Slot head captive screw



Type	Purchase code
M2,5x11	1000.0108.2511

Nickel-plated brass

Phillips head captive screw



Type	Purchase code
M2,5x11	1000.0107.2511

Nickel-plated steel

Phillips/Slot combined head captive screw



Type	Purchase code
M2,5x13	1000.0109.2513

Nickel-plated steel

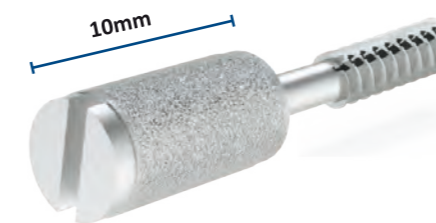
Torx head captive screw



Type	Purchase code
M2,5x12	1000.0131.2512
M2,5x12	1000.0120.2512**

Stainless steel
Nickel-plated steel**

UNI 1 49-G Slot / externally relieved head captive screw



Type	Purchase code
M2,5x12	1000.0117.2512

Stainless steel

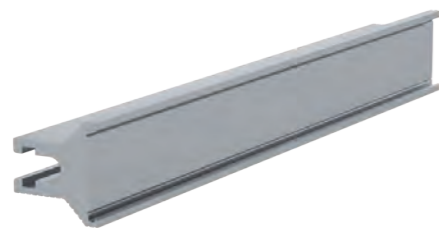
Slot / externally relieved head captive screw



Type	Purchase code
M2,5x14	1000.0116.2514

Nickel-plated brass

"A" type handles



Width TE	Purchase code
3	0505.0502.03
4	0505.0502.04
5	0505.0502.05
6	0505.0502.06
7	0505.0502.07
8	0505.0502.08
9	0505.0502.09
10	0505.0502.10
12	0505.0502.12
14	0505.0502.14
16	0505.0502.16
20	0505.0502.20
21	0505.0502.21
24	0505.0502.24
42	0505.0502.42
84	0505.0502.84
196	0505.0502.196

Extruded aluminium EN AW 6060 T6 - Pre-anodized

Use with tab

SEE
PG.352

"B" type handles



Width TE	Purchase code
3	0505.0501.03
4	0505.0501.04
5	0505.0501.05
6	0505.0501.06
7	0505.0501.07
8	0505.0501.08
9	0505.0501.09
10	0505.0501.10
12	0505.0501.12
14	0505.0501.14
16	0505.0501.16
20	0505.0501.20
21	0505.0501.21
24	0505.0501.24
42	0505.0501.42
84	0505.0501.84
196	0505.0501.196

Extruded aluminium EN AW 6060 T6 - Pre-anodized

Use with tab

SEE
PG.352

"C" type handles



Width TE	Purchase code
3	0505.0503.03
4	0505.0503.04
5	0505.0503.05
6	0505.0503.06
7	0505.0503.07
8	0505.0503.08
9	0505.0503.09
10	0505.0503.10
12	0505.0503.12
14	0505.0503.14
16	0505.0503.16
20	0505.0503.20
21	0505.0503.21
24	0505.0503.24
42	0505.0503.42
84	0505.0503.84
196	0505.0503.196

Extruded aluminium EN AW 6060 T6 - Pre-anodized

Use with tab

SEE
PG.352

"D" type handles



Width TE	Purchase code
3	0505.0504.03
4	0505.0504.04
5	0505.0504.05
6	0505.0504.06
7	0505.0504.07
8	0505.0504.08
9	0505.0504.09
10	0505.0504.10
12	0505.0504.12
14	0505.0504.14
16	0505.0504.16
20	0505.0504.20
21	0505.0504.21
24	0505.0504.24
42	0505.0504.42
84	0505.0504.84
196	0505.0504.196

Extruded aluminium EN AW 6060 T6 - Pre-anodized

Tabs



TE	Purchase code	
	A - B type handles	C type handles
3	0505.0801.03	0505.0806.03
4	0505.0801.04	0505.0806.04
5	0505.0801.05	0505.0806.05
6	0505.0801.06	0505.0806.06
7	0505.0801.07	0505.0806.07
8	0505.0801.08	0505.0806.08
9	0505.0801.09	0505.0806.09
10	0505.0801.10	0505.0806.10
11	0505.0801.11	0505.0806.11
12	0505.0801.12	0505.0806.12
13	0505.0801.13	0505.0806.13
14	0505.0801.14	0505.0806.14
15	0505.0801.15	0505.0806.15
16	0505.0801.16	0505.0806.16

Aluminium 10/10 anodized
Use with handles

SEE
PG.350
PG.351

Top extractors kit



Colour	Purchase code
Black	0505-4102-01

Various materials

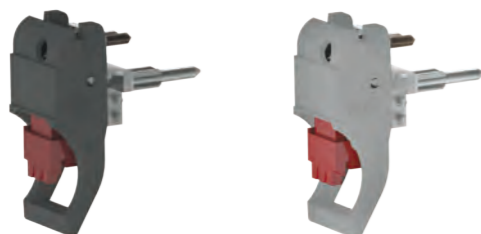
Bottom extractors kit



Colour	Purchase code
Black	0505-4101-01

Various materials

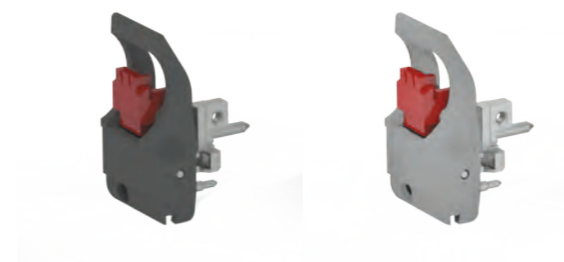
"A" type top extractors / inserters kit



Colour	Purchase code
Black	0505-4191-4171
Grey	0505-4192-4171

Various materials

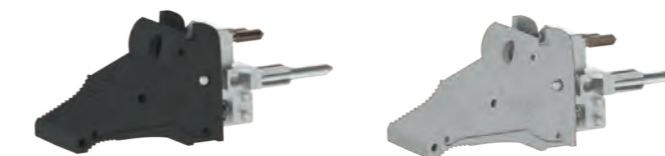
"A" type bottom extractors / inserters kit



Colour	Purchase code
Black	0505-4191-4181
Grey	0505-4192-4181

Various materials

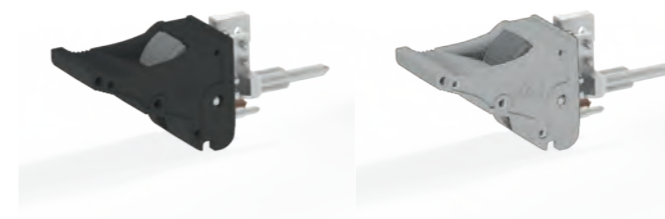
"B" type top extractors / inserters kit



Colour	Purchase code
Black	0505-4151-4171
Grey	0505-4152-4171

Various materials

"B" type bottom extractors / inserters kit



Colour	Purchase code
Black	0505-4151-4181
Grey	0505-4152-4181

Various materials

"C" type top extractors / inserters kit



Colour	Purchase code
Black	0505-2164-1301
Grey	0505-2164-1302

Various materials

"C" type bottom extractors / inserters kit



Colour	Purchase code
Black	0505-2134-1301
Grey	0505-2134-1302

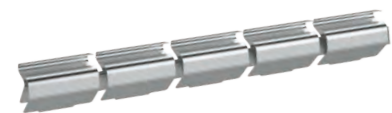
Various materials

Stainless steel EMC gaskets



U	Application	Purchase code
3	Flanges / Front panel	0505.5703.03
6	Flanges / Front panel	0505.5703.06

Extruded stainless steel EMC gaskets



U	Application	Purchase code
3	Flanges/Front panel	0505.5705.03
6	Flanges/Front panel	0505.5705.06

Stainless steel EMC gaskets



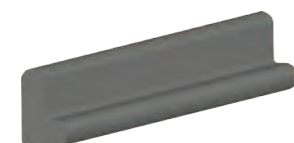
U	Application	Purchase code
3	Flanges/Front panel	0505.5706.03
6	Flanges/Front panel	0505.5706.06

Fabric EMC gasket "D" 20x30



U	Application	Purchase code	
		Foam polyurethane	High temperature
3	Flanges / Front panel	0505.5809.03	0505.5819.03
6	Flanges / Front panel	0505.5809.06	0505.5819.06

Fabric EMC gasket "L"



U	Application	Purchase code	
		Foam polyurethane	High temperature
3	Flanges	0505.5802.03	0505.5812.03
6	Flanges	0505.5802.06	0505.5812.06

Fabric EMC gasket



U	Size	Application	Purchase code	
			Foam polyurethane	High temperature
3	2x4,8	Flanges	0505.5804.03	0505.5814.03
6	2x4,8	Flanges	0505.5804.06	0505.5814.06
3	3x1,6	Flanges	0505.5808.03	0505.5818.03
6	3x1,6	Flanges	0505.5808.06	0505.5818.06

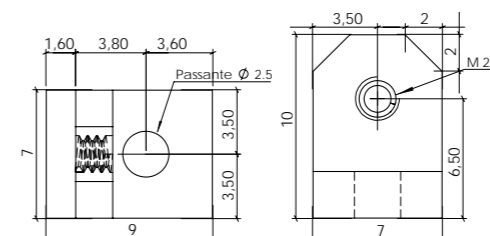
Board mount



Purchase code
0505.0301.03

Polycarbonate grey PC UL 94 V 0

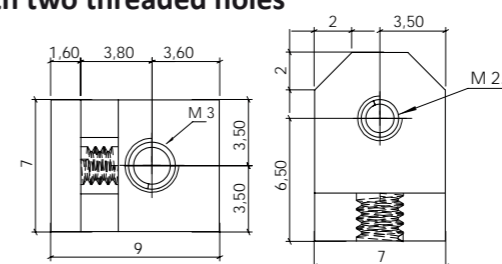
Median board mount



Purchase code
0505.4902

Zama

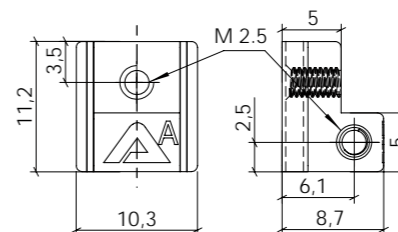
Median board mount with two threaded holes



Purchase code
0505.4902.03

Zama

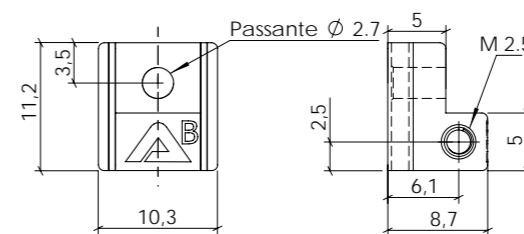
Board mount type "A"



Purchase code
0505.0401

White galvanized Zama

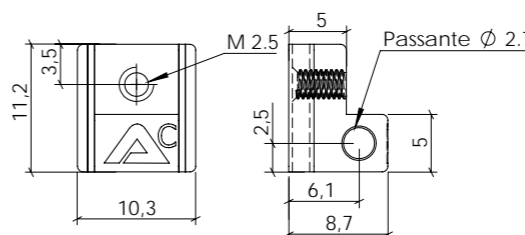
board mount type "B"



Purchase code
0505.0402

White galvanized Zama

Board mount type "C"



Purchase code
0505.0403

White galvanized Zama

COLOURS

The choice of colors in some of the accessories will increase the recognition and customization of the product making it unique.

MECHANICAL CUSTOMIZATION:

Thanks to modern machining technology, it is possible to customize every single piece, thus allowing the elimination of additional working and reducing delivery time.

SERIES CUSTOMIZATION:

In case of high volumes, the customization procedures will be optimized, reducing costs and timing by transforming the custom product into a standard one.

SERIGRAPHY:

In addition to the possibility of different colors of the outside structure, all internal components, such as the front panels, can be customized with serigraphic printing that allows to utilize a wide range of bright colours, texts, images or logos.

FINISHING:

The most widely used material is aluminium, for which we have several surface treatments such as:
SURTEC 650: a liquid process that provides the substrate with high corrosion protection: 336 h in simple saline mist and 150 h in acetic saline mist.
ANODIZATION: a non-spontaneous electrochemical process by which a protective layer is formed on the surface of the treated metal and protects it from corrosion.



N°	PG.	CHAP.	
1/4 turn twin comb lock	80	Alurack	1
1/4 turn twist lock	80	Alurack	1
1/4 turn twist lock with key	80	Alurack	1
1/4 turn twist lock with key	109	Compact rack	2
160 Extruded side panels	156	Subrack Executive	5
160 Extruded side panels	184	Subrack Rail	6
19" 1x6 socket strip circuit breakers (16A)	72	Alurack	1
19" 1x6 socket strip with light switch	72	Alurack	1
19" blank drawer kit	73	Alurack	1
19" Blank front panel	44	Alurack	1
19" blank shelves	57	Alurack	1
19" Console	57	Alurack	1
19" Magnelis® rails	106	Compact rack	2
19" ventilated drawer kit	73	Alurack	1
19" ventilated front panel	44	Alurack	1
19" ventilated shelves	57	Alurack	1
19" rack prifiles kit	136	Lab rack	4
220 Extruded side panels	156	Subrack Executive	5
220 Extruded side panels	184	Subrack Rail	6
3U Subunit	257	Subunit	9
3U blank front panel	283	Front Panel	10
3U EMC extruded front panel	327	Front Panel	10
3U EMC extruded Front panel for "A" and "B" type extractors	341	Front Panel	10
3U EMC extruded Front panel for "C" type extractors	345	Front Panel	10
3U EMC extruded front panel for PCBs and handles	331	Front Panel	10
3U EMC extruded front panel for extractor	335	Front Panel	10
3U EMC extruded front panel for extractors	337	Front Panel	10
3U EMC front panel	305	Front Panel	10
3U EMC Front panel for "A" and "B" type extractors	319	Front Panel	10
3U EMC Front panel for "C" type extractors	323	Front Panel	10
3U EMC front panel for PCBs and handles	309	Front Panel	10
3U EMC front panel for extractor	313	Front Panel	10
3U EMC front panel for extractors	315	Front Panel	10
3U Front panel for "A" and "B" type extractors	297	Front Panel	10
3U Front panel for "C" type extractors	301	Front Panel	10
3U front panel for extractor	291	Front Panel	10
3U front panel for extractors	293	Front Panel	10
3U front panel for PCBs and handles	287	Front Panel	10
3U side panels	258	Subunit	9
3U subrack with extruded side panels	145	Subrack Executive	5
3U subrack with extruded side panels	177	Subrack Rail	6
3U subrack with side panels and flanges	144	Subrack Executive	5
3U subrack with side panels and flanges	176	Subrack Rail	6
3U subrack with side panels and flanges	200	Subrack Rail Plus	7
3U subunit front panels for extractors	259	Subunit	9
3u subunit front panels for handles	259	Subunit	9
6U Subunit	267	Subunit	9
6U blank front panel	285	Front Panel	10
6U EMC extruded front panel	329	Front Panel	10
6U EMC extruded Front panel for "A" and "B" type extractors	343	Front Panel	10
6U EMC extruded Front panel for "C" type extractors	347	Front Panel	10
6U EMC extruded front panel for PCBs and handles	333	Front Panel	10
6U EMC extruded front panel for extractors	339	Front Panel	10
6U EMC front panel	307	Front Panel	10
6U EMC Front panel for "A" and "B" type extractors	321	Front Panel	10

N°	PG.	CHAP.	
6U EMC Front panel for "C" type extractors	325	Front Panel	10
6U EMC front panel for PCBs and handles	311	Front Panel	10
6U EMC front panel for extractors	317	Front Panel	10
6U Front panel for "A" and "B" type extractors	299	Front Panel	10
6U Front panel for "C" type extractors	303	Front Panel	10
6U front panel for extractors	295	Front Panel	10
6U front panel for PCBs and handles	289	Front Panel	10
6U side panels	268	Subunit	9
6U subrack with extruded side panels	147	Subrack Executive	5
6U subrack with extruded side panels	179	Subrack Rail	6
6U subrack with side panels and flanges	146	Subrack Executive	5
6U subrack with side panels and flanges	178	Subrack Rail	6
6U subrack with side panels and flanges	201	Subrack Rail Plus	7
6U subunit front panels for extractors	269	Subunit	9
6u subunit front panels for handles	269	Subunit	9
9U subrack with extruded side panels	149	Subrack Executive	5
9U subrack with side panels and flanges	148	Subrack Executive	5

A	PG.	CHAP.	
"A" type bottom extractors / inserters kit	264	Subunit	9
"A" type bottom extractors / inserters kit	275	Subunit	9
"A" type extractors / inserters kit	352	Front Panel	10
"A" type handles	262	Subunit	9
"A" type handles	272	Subunit	9
"A" type top extractors / inserters kit	264	Subunit	9
"A" type top extractors / inserters kit	275	Subunit	9
Adjustable foot	65	Alurack	1
Adjustable foot	136	Lab rack	4
Alignment block and door support	65	Alurack	1
Allen head screw	137	Lab rack	4
Allen head screw	79	Alurack	1
Allen head screw M5x30	113	Compact rack	2
Aluminium PCB board guides	165	Subrack Executive	5
Aluminium PCB board guides	191	Subrack Rail	6
Aluminium PCB board guides	213	Subrack Rail Plus	7
Aluminium PCB board guides	245	Instrument Serie	8
Anti condensation heater	70	Alurack	1
Anti condensation heater and thermostat	70	Alurack	1
Antivibration	167	Subrack Executive	5
Antivibration	193	Subrack Rail	6
Antivibration	215	Subrack Rail Plus	7
Antivibration	247	Instrument Serie	8

B	PG.	CHAP.	
"B" type extractors / inserters kit	353	Front Panel	10
"B" type handles	262	Subunit	9
"B" type handles	272	Subunit	9
Back protector hoods	161	Subrack Executive	5
Back protector hoods	185	Subrack Rail	6
Back protector hoods	207	Subrack Rail Plus	7
Base and wheels	60-61	Alurack	1
Base plans	99	Compact rack	2
base plants	160-161	Subrack Executive	5
Base plants	188	Subrack Rail	6
base plants	210	Subrack Rail Plus	7

B	PG.	CHAP.	
Base plates for Alurack	58	Alurack	1
Base plates for side by side mounting with wheels predisposition	59	Alurack	1
Base with caster wheels	134	Lab rack	4
Blank base plate	237	Instrument Serie	8
Blank base plates for 19" drawer	74	Alurack	1
Blank bottom panels	241	Instrument Serie	8
Blank doors	37	Alurack	1
Blank front panel	104	Compact rack	2
Blank front panel	126	Simple rack	3
Blank front panel with flange	234	Instrument Serie	8
Blank front panel with flange and handle holes	234	Instrument Serie	8
Blank horizontal profile - Depth	135	Lab rack	4
Blank horizontal profile - Width	135	Lab rack	4
Blank partial panels	42	Alurack	1
Blank rear panels	100	Compact rack	2
Blank rear panels	260	Subunit	9
Blank rear panels	270	Subunit	9
Blank shelves	125	Simple rack	3
Blank shelves	108	Compact rack	2
Blank side panels	101	Compact rack	2
Blank side panels	238	Instrument Serie	8
Blank side panels 19" drawer	75	Alurack	1
Blank side panels with handle holes	102	Compact rack	2
Blank side panels with holes for heavy loads handles	103	Compact rack	2
Blank simple rack	120	Simple rack	3
Blank top panels for 19" drawers	74	Alurack	1
Board mount	355	Front Panel	10
Board mount type "A"	355	Front Panel	10
Board mount type "B"	355	Front Panel	10
Board mount type "C"	355	Front Panel	10
Brass M3 threaded strips	154	Subrack Executive	5
Brass M3 threaded strips	182	Subrack Rail	6
Brass M3 threaded strips	204	Subrack Rail Plus	7
Brass M3 threaded strips	232	Instrument Serie	8
Bushings	348	Front Panel	10

C	PG.	CHAP.	
"C" type extractors / inserters kit	353	Front Panel	10
"C" type handles	263	Subunit	9
"C" type handles	273	Subunit	9
Cable entry gland plate	79	Alurack	1
Cage nuts	72	Alurack	1
Cage nuts	110	Compact rack	2
Cage nuts	127	Simple rack	3
Cage nuts	137	Lab rack	4
Captive screws	261	Subunit	9
Captive screws	271	Subunit	9
Captive screws	349	Front Panel	10
Central partial panels	43	Alurack	1
Circuit breakers panels kit	62	Alurack	1
Circuit breakers panels kit	109	Compact rack	2
Compact rack extruded aluminium frame	91	Compact rack	2
Compact Rack Lexan® door kit	107	Compact rack	2
Compact Rack overlay kit	110	Compact rack	2
Compact Rack tower	113	Compact rack	2

C	PG.	CHAP.	
Compact rack with panels	93	Compact rack	2
Compact rack with panels and lexan door	95	Compact rack	2
Contact spring IEEE	246	Instrument Serie	8
Couple of Aluminium 19" rails T1	50	Alurack	1
Couple of Magnelis® 19" rails T2	51	Alurack	1
Couple support guides	108	Compact rack	2
Cover cable kit for Alurack 800	63	Alurack	1
Covers	159-160	Subrack Executive	5
Covers	166-187	Subrack Rail	6
Covers	208-209	Subrack Rail Plus	7
Covers	240	Instrument Serie	8

D	PG.	CHAP.	
"D" type handles	263	Subunit	9
"D" type handles	273	Subunit	9
Document box	72	Alurack	1
Door hinges	109	Compact rack	2
Drawer 19" for keyboard	57	Alurack	1

E	PG.	CHAP.	
EMC fabric gasket	354	Front Panel	10
EMC Steel gasket	354	Front Panel	10
Encoding combs	168	Subrack Executive	5
Encoding combs	191	Subrack Rail	6
Encoding combs	213	Subrack Rail Plus	7
Encoding combs	248	Instrument Serie	8
Encoding kit	166	Subrack Executive	5
Encoding kit	192	Subrack Rail	6
Encoding kit	214	Subrack Rail Plus	7
Encoding kit	246	Instrument Serie	8
Encoding mask	168	Subrack Executive	5
Encoding mask	191	Subrack Rail	6
Encoding mask	213	Subrack Rail Plus	7
Encoding mask	248	Instrument Serie	8
Encoding pin	166	Subrack Executive	5
Encoding pin	168	Subrack Executive	5
Encoding pin	192	Subrack Rail	6
Encoding pin	213	Subrack Rail Plus	7
Encoding pin	214	Subrack Rail Plus	7
Encoding pin	246	Instrument Serie	8
Encoding pin	248	Instrument Serie	8
Encoding pin	191	Subrack Rail	6
Executive Sub rack Allen head screw	163	Subrack Executive	5
Extractor	168	Subrack Executive	5
Extractor	193	Subrack Rail	6
Extractor	215	Subrack Rail Plus	7
Extractors	248	Instrument Serie	8
Extractors	352	Front Panel	10
Extruded aluminium profiles frame painted RAL 7035	21	Alurack	1
Extruded handles	77	Alurack	1
Extruded handles	111	Compact rack	2
Extruded handles inclined 10°	77	Alurack	1
Extruded handles inclined 10°	111	Compact rack	2
Eyebolts with split washers and mounting instructions	65	Alurack	1

F	PG.	CHAP.	
Fan 38 V230 120x120	68	Alurack	1
Fan and filter IP54 150x150 V230	68	Alurack	1
Fan cable	68	Alurack	1
Faston male	70	Alurack	1
Female crimp receptacle connector	70	Alurack	1
Filter Ip54 150x150	68	Alurack	1
Filter Ip54 250x250	68	Alurack	1
Finger support kit	207	Subrack Rail Plus	7
Finishing profile	237	Instrument Serie	8
Finishing profiles with handle holes	237	Instrument Serie	8
Flanges	158	Subrack Executive	5
Flanges	185	Subrack Rail	6
Flanges	206	Subrack Rail Plus	7
Flanges for backward mount	158	Subrack Executive	5
Flanges for backward mount	185	Subrack Rail	6
Flanges for backward mount	207	Subrack Rail Plus	7
Flat bars type "A"	155	Subrack Executive	5
Flat bars type "A"	183	Subrack Rail	6
Flat bars type "A"	205	Subrack Rail Plus	7
Flat bars type "A"	233	Instrument Serie	8
Flat bars type "B"	155	Subrack Executive	5
Flat bars type "B"	183	Subrack Rail	6
Flat bars type "B"	205	Subrack Rail Plus	7
Foldable foot	110	Compact rack	2
Foldable foot	127	Simple rack	3
Foldable foot	243	Instrument Serie	8
Foot h 16 mm	110	Compact rack	2
Foot h 16 mm	127	Simple rack	3
Foot h 16 mm	243	Instrument Serie	8
Foot h 4 mm	110	Compact rack	2
Foot h 4 mm	127	Simple rack	3
Foot h 4 mm	243	Instrument Serie	8
Front / Rear blank plates	235	Instrument Serie	8
Front flanges	235	Instrument Serie	8
Front flanges with handle holes	235	Instrument Serie	8
Front panels with handle holes	76	Alurack	1
Front panels with handle holes	105	Compact rack	2

G	PG.	CHAP.	
Glazed doors	37	Alurack	1
Grey PCB Board fixing	168	Subrack Executive	5
Ground bar	69	Alurack	1
Ground bar fixing	69	Alurack	1
Ground clamp	69	Alurack	1

H	PG.	CHAP.	
Handle inserts	261	Subunit	9
Handle inserts	271	Subunit	9
Handle insterts	348	Front Panel	10
Handles	242	Instrument Serie	8
Handes	274-275	Subunit	9
Handles	127	Simple rack	3
Handles	264	Subunit	9
Handles	162	Subrack Executive	5

H	PG.	CHAP.	
Handles	189	Subrack Rail	6
Handles	211	Subrack Rail Plus	7
Handles	350-351	Front Panel	10
Headless screw	155	Subrack Executive	5
Headless screws	183	Subrack Rail	6
Headless screws	205	Subrack Rail Plus	7
Headless screws	243	Instrument Serie	8
Heavy duty handle	107	Compact rack	2
Hex nut	348	Front Panel	10
Hex wrench for headless screws	163	Subrack Executive	5
Hex wrench for headless screws	189	Subrack Rail	6
Hex wrench for headless screws	211	Subrack Rail Plus	7
Hex wrench for headless screws	243	Instrument Serie	8
Hinge	79	Alurack	1
Horizontal finishing flanges	64	Alurack	1
Horizontal inside profiles	64	Alurack	1

I	PG.	CHAP.	
IEEE Contact spring	166	Subrack Executive	5
IEEE Contact spring	192	Subrack Rail	6
IEEE Contact spring	214	Subrack Rail Plus	7
Inner components support plates	236	Instrument Serie	8
Inside profile	232	Instrument Serie	8
Instrument serie with 19" flanges and handles	225	Instrument Serie	8
Instrument series with 19" flanges	223	Instrument Serie	8
Instrument series with front panel	227	Instrument Serie	8
Instrument series with front panel and handles	229	Instrument Serie	8

L	PG.	CHAP.	
L type rails	124	Simple rack	3
lab rack	132	Lab rack	4
lab rack with base	133	Lab rack	4
Lower half-shell blank plates	123	Simple rack	3
Lower half-shell plates with punched holes	123	Simple rack	3
Lowered PCB board guides	165	Subrack Executive	5

M	PG.	CHAP.	
M4x6 torx head screw	127	Simple rack	3
Median board mount	355	Front Panel	10
Median board mount with two threaded holes	355	Front Panel	10
Metal sleeve	261	Subunit	9
Metal sleeve	271	Subunit	9

N	PG.	CHAP.	
Non conducting strips	154	Subrack Executive	5
Non conducting strips	182	Subrack Rail	6
Non conducting strips	204	Subrack Rail Plus	7
Non conducting strips	233	Instrument Serie	8
Not removable base plates	99	Compact rack	2
Not removable top panels	134	Lab rack	4
Not removable top panels	97	Compact rack	2
Not removable top panels	41	Alurack	1
Numbered strip	169	Subrack Executive	5

O	PG.	CHAP.	
Offset PCB Board guide	212	Subrack Rail Plus	7
Offset PCB Board guide	165	Subrack Executive	5
Offset PCB Board guide	190	Subrack Rail	6
Offset PCB Board guide	245	Instrument Serie	8
One perforated wing horizontal main profiles - Width	112	Compact rack	2
One perforated wing horizontal main profiles - Width	82	Alurack	1
One perforated wing vertical main profiles	81	Alurack	1
One perforated wing vertical profiles	135	Lab rack	4
Opened rear panels	260	Subunit	9
Opened rear panels	270	Subunit	9

P	PG.	CHAP.	
Panels	39	Alurack	1
PB Board fixing pins	167	Subrack Executive	5
PB Board fixing pins	193	Subrack Rail	6
PB Board fixing pins	215	Subrack Rail Plus	7
PB Board fixing pins	247	Instrument Serie	8
PB Board fixing screws - M2,5 x12	247	Instrument Serie	8
PB Board fixing screws - M2,5 x12	167	Subrack Executive	5
PB Board fixing screws - M2,5 x12	193	Subrack Rail	6
PB Board fixing screws - M2,5 x12	215	Subrack Rail Plus	7
PCB Board contact spring	167	Subrack Executive	5
PCB Board contact spring	192	Subrack Rail	6
PCB Board contact spring	214	Subrack Rail Plus	7
PCB Board contact spring	247	Instrument Serie	8
PCB Board guide	164	Subrack Executive	5
PCB Board guide	190	Subrack Rail	6
PCB Board guide	212	Subrack Rail Plus	7
PCB Board guide	244	Instrument Serie	8
PCB Board lead-in	169	Subrack Executive	5
PCB Board lead-in	193	Subrack Rail	6
PCB Board lead-in	215	Subrack Rail Plus	7
PCB Board lead-in	245	Instrument Serie	8
Plastic handle	107	Compact rack	2
Profiles	230-231	Instrument Serie	8
Profiles for Executive Subrack	150-153	Subrack Executive	5
Profiles for Subrack Rail	180-181	Subrack Rail	6
Profiles for Subrack rail plus	202-203	Subrack Rail Plus	7

R	PG.	CHAP.	
Rack 550 mm	23	Alurack	1
Rack 600 mm	25	Alurack	1
Rack 600mm with blank door	33	Alurack	1
Rack 600mm with glazed door	29	Alurack	1
Rack 800 mm	27	Alurack	1
Rack 800mm with blank door	35	Alurack	1
Rack 800mm with glazed door	31	Alurack	1
Rack air conditioners	71	Alurack	1
Rack led	71	Alurack	1
Rail Plus Sub rack Torx head screw	211	Subrack Rail Plus	7
Rear finishing profiles	185	Subrack Rail	6
Rear finishing profiles	156	Subrack Executive	5
Rear finishing profiles	206	Subrack Rail Plus	7
Rear panels for drawers 19"	76	Alurack	1
Rear panels with cable ducting	38	Alurack	1

R	PG.	CHAP.	
Rear panels with connector hole	260	Subunit	9
Rear panels with connector hole	270	Subunit	9
Reduction kit - 19"rack installation kit for 800 mm Alurack	63	Alurack	1
Reinforced PCB Board guides	164	Subrack Executive	5
Reinforced PCB Board guides	190	Subrack Rail	6
Reinforced PCB Board guides	212	Subrack Rail Plus	7
Reinforced PCB board guides	244	Instrument Serie	8
Removable blank base plates	98	Compact rack	2
Removable blank top panels	96	Compact rack	2
Removable top panel predisposed for fan installation	97	Compact rack	2
Removable top panels predisposed for fan installation	40	Alurack	1
Removable top panels with cable entry gland plate	40	Alurack	1
Removable top panels with cable entry gland plate predisposed for fan installation	41	Alurack	1
Removable ventilated base plates	98	Compact rack	2
Removable ventilated top panels	96	Compact rack	2
Rod latch lock	80	Alurack	1
Round handles	77	Alurack	1
Round handles	111	Compact rack	2
Round handles (Stainless steel)	77	Alurack	1
Round handles (stainless steel)	111	Compact rack	2

S	PG.	CHAP.	
Screw guide strips	154	Subrack Executive	5
Screw guide strips	182	Subrack Rail	6
Screw guide strips	204	Subrack Rail Plus	7
Screw guide strips	232	Instrument Serie	8
Screws kit	65	Alurack	1
Screws kit	137	Lab rack	4
Screws kit	109	Compact rack	2
Self-extinguishing plastic grid Ø 170 mm	68	Alurack	1
Separating walls	160	Subrack Executive	5
Separating walls	188	Subrack Rail	6
Separating walls	210	Subrack Rail Plus	7
Shelves for Alurack	52-56	Alurack	1
Shelves with punched holes	125	Simple rack	3
Side handle panels	239	Instrument Serie	8
Side panels	184	Subrack Rail	6
Side panels	206	Subrack Rail Plus	7
Side panels	124	Simple rack	3
Side panels	157	Subrack Executive	5
Side panels not removable	134	Lab rack	4
Single rotating wheels with brake, fixing with flange	78	Alurack	1
Single rotating wheels with brake, fixing with hole	78	Alurack	1
Single rotating wheels, fixing with flange	78	Alurack	1
Single rotating wheels, fixing with hole	78	Alurack	1
Single wheels with flange	79	Alurack	1
Sleeve	348	Front Panel	10
Slot / externally relieved head captive screw	261	Subunit	9
Slot / externally relieved head captive screw	271	Subunit	9
Spacer strips	154	Subrack Executive	5
Spacer strips	182	Subrack Rail	6
Spacer strips	204	Subrack Rail Plus	7
Spacer strips	233	Instrument Serie	8
Special Instrument Torx head screw	243	Instrument Serie	8

S	PG.	CHAP.	
Standard removable top panels	40	Alurack	1
Sub rack rail Phillips head screw	189	Subrack Rail	6
Subrack bracket kit	163	Subrack Executive	5
Support profiles for wiring plates	62	Alurack	1

T	PG.	CHAP.	
Tabs	265	Subunit	9
Tabs	274	Subunit	9
Tabs	352	Front Panel	10
Telescopic rails for drawers	76	Alurack	1
Terminal partial panels	43	Alurack	1
Thermocontrolled Ventilation unit - 3 fans 220 V AC 50 Hz	66	Alurack	1
Thermocontrolled Ventilation unit - 6 fans 220V AC 50 Hz	66	Alurack	1
Thermocontrolled Ventilation unit - 6 fans 48V DC ± 15%	67	Alurack	1
Thermocontrolled Ventilation unit - 8 fans48 V DC ± 15%	67	Alurack	1
Thermoelectric chillers	71	Alurack	1
Thermostat -10C + 50C NA contact	71	Alurack	1
Thermostat -10C + 50C NC contact	70	Alurack	1
Threaded strips (stainless steel) 2,5	232	Instrument Serie	8
Threaded strips M2,5 stainless steel	154	Subrack Executive	5
Threaded strips M2,5 stainless steel	182	Subrack Rail	6
Threaded strips M2,5 stainless steel	204	Subrack Rail Plus	7
Three way joint plastic cover	81	Alurack	1
Three way joint plastic cover	113	Compact rack	2
Three way joint plastic cover	136	Lab rack	4
Top and bottom blank panels	258	Subunit	9
Top and bottom blank panels	268	Subunit	9
Top and bottom ventilated panels	258	Subunit	9
Top and bottom ventilated panels	268	Subunit	9
Top half-shell blank plates	122	Simple rack	3
Top half-shell plates with punched holes	122	Simple rack	3
Two perforated wings horizontal main profiles - Depth	112	Compact rack	2
Two perforated wings horizontal main profiles - Depth	82	Alurack	1
Two perforated wings vertical main profiles	112	Compact rack	2
Two perforated wings vertical main profiles - for Alurack 550	81	Alurack	1

U	PG.	CHAP.	
U struts for side by side mounting Kit	62	Alurack	1
UNI 1 49-G Slot / externally relieved head captive screw	261	Subunit	9
UNI 1 49-G Slot / externally relieved head captive screw	271	Subunit	9

V	PG.	CHAP.	
Ventilated base plate	237	Instrument Serie	8
Ventilated base plates for 19" drawer	74	Alurack	1
Ventilated bottom panels	241	Instrument Serie	8
Ventilated front panel	105	Compact rack	2
Ventilated front panel	126	Simple rack	3
Ventilated partial panels	42	Alurack	1
Ventilated rear panels	100	Compact rack	2
Ventilated shelves	108	Compact rack	2
Ventilated side panels for 19" drawer	75	Alurack	1
ventilated simple rack	121	Simple rack	3
Ventilated top panels for 19" drawers	74	Alurack	1
Vertical finishing flanges	64	Alurack	1

W	PG.	CHAP.	
Wall fixing brackets	63	Alurack	1
Washers	348	Front Panel	10
Wiring plates	62	Alurack	1
Wiring plates	106	Compact rack	2

Y	PG.	CHAP.	
Yellow and green cables	69	Alurack	1

Z	PG.	CHAP.	
Z bars type "A"	155	Subrack Executive	5
Z bars type "A"	183	Subrack Rail	6
Z bars type "A"	205	Subrack Rail Plus	7
Z bars type "A"	233	Instrument Serie	8
Z bars type "B"	155	Subrack Executive	5
Z bars type "B"	183	Subrack Rail	6
Z bars type "B"	205	Subrack Rail Plus	7

PURCHASE CODES SUMMARY

LEGENDA CHAP: 1= Alurack 2=Compact rack 3=Simple rack 4=Lab rack 5=Subrack executive 6=Subrack Rail
7=Subrack Rail Plus 8=Instrument 9=3 Units subunit 10=6 Units subunit 11=Front Panel

Code	Pg	Chap.	Code	Pg	Chap.	Code	Pg	Chap.	Code	Pg	Chap.	Code	Pg	Chap.
0101			0101/0118/6010	25	1	0101/0142/5560	23	1	0101-0211-15	63	1	0101/0236/6010	29	1
0101.0107.1201	135	4	0101/0118/6012	25	1	0101/0142/5570	23	1	0101-0211-18	63	1	0101/0236/6012	29	1
0101.0107.1201	81	1	0101/0118/6060	25	1	0101/0142/5580	23	1	0101-0211-24	63	1	0101/0236/6060	29	1
0101.0107.1202	81	1	0101/0118/6070	25	1	0101/0142/6010	25	1	0101-0211-30	63	1	0101/0236/6070	29	1
0101.0107.1501	135	4	0101/0118/6080	25	1	0101/0142/6012	25	1	0101-0211-36	63	1	0101/0236/6080	29	1
0101.0107.1501	81	1	0101/0118/8010	27	1	0101/0142/6060	25	1	0101-0211-42	63	1	0101/0236/8010	30	1
0101.0107.1502	81	1	0101/0118/8012	27	1	0101/0142/6070	25	1	0101/0212/6010	29	1	0101/0236/8012	30	1
0101.0107.1801	135	4	0101/0118/8060	27	1	0101/0142/6080	25	1	0101/0212/6012	29	1	0101/0236/8060	30	1
0101.0107.1801	81	1	0101/0118/8070	27	1	0101/0142/8010	27	1	0101/0212/6060	29	1	0101/0236/8070	30	1
0101.0107.1802	81	1	0101/0118/8080	27	1	0101/0142/8012	27	1	0101/0212/6070	29	1	0101/0236/8080	30	1
0101.0107.2401	135	4	0101/0124/5510	23	1	0101/0142/8060	27	1	0101/0212/6080	29	1	0101/0242/6010	29	1
0101.0107.2401	81	1	0101/0124/5512	23	1	0101/0142/8070	27	1	0101/0212/8010	30	1	0101/0242/6012	29	1
0101.0107.2402	81	1	0101/0124/5560	23	1	0101/0142/8080	27	1	0101/0212/8012	30	1	0101/0242/6060	29	1
0101.0107.3001	135	4	0101/0124/5570	23	1	0101-0202-12	136	4	0101/0212/8060	30	1	0101/0242/6070	29	1
0101.0107.3001	81	1	0101/0124/5580	23	1	0101-0202-12	50	1	0101/0212/8070	30	1	0101/0242/6080	29	1
0101.0107.3002	81	1	0101/0124/6010	25	1	0101-0202-15	136	4	0101/0212/8080	30	1	0101/0242/8010	30	1
0101.0107.3601	135	4	0101/0124/6012	25	1	0101-0202-15	50	1	0101/0215/6010	29	1	0101/0242/8012	30	1
0101.0107.3601	81	1	0101/0124/6060	25	1	0101-0202-18	136	4	0101/0215/6012	29	1	0101/0242/8060	30	1
0101.0107.3602	81	1	0101/0124/6070	25	1	0101-0202-18	50	1	0101/0215/6060	29	1	0101/0242/8070	30	1
0101.0107.4201	81	1	0101/0124/6080	25	1	0101-0202-24	136	4	0101/0215/6070	29	1	0101/0242/8080	30	1
0101.0107.4202	81	1	0101/0124/8010	27	1	0101-0202-24	50	1	0101/0215/6080	29	1	0101/0312/6010	33	1
0101/0112/5510	23	1	0101/0124/8012	27	1	0101-0202-30	136	4	0101/0215/8010	30	1	0101/0312/6012	33	1
0101/0112/5512	23	1	0101/0124/8060	27	1	0101-0202-30	50	1	0101/0215/8012	30	1	0101/0312/6060	33	1
0101/0112/5560	23	1	0101/0124/8070	27	1	0101-0202-36	136	4	0101/0215/8060	30	1	0101/0312/6070	33	1
0101/0112/5570	23	1	0101/0124/8080	27	1	0101-0202-36	50	1	0101/0215/8070	30	1	0101/0312/6080	33	1
0101/0112/5580	23	1	0101/0130/5512	23	1	0101-0202-42	50	1	0101/0215/8080	30	1	0101/0312/8010	35	1
0101/0112/6010	25	1	0101/0130/5560	23	1	0101-0203-12	50	1	0101/0218/6010	29	1	0101/0312/8060	35	1
0101/0112/6012	25	1	0101/0130/5570	23	1	0101-0203-15	50	1	0101/0218/6012	29	1	0101/0312/8070	35	1
0101/0112/6060	25	1	0101/0130/5580	23	1	0101-0203-18	50	1	0101/0218/6060	29	1	0101/0312/8080	35	1
0101/0112/6070	25	1	0101/0130/6010	25	1	0101-0203-24	50	1	0101/0218/6070	29	1	0101/0315/6010	33	1
0101/0112/6080	25	1	0101/0130/6012	25	1	0101-0203-30	50	1	0101/0218/6080	29	1	0101/0315/6012	33	1
0101/0112/8010	27	1	0101/0130/6060	25	1	0101-0203-36	50	1	0101/0218/8010	30	1	0101/0315/6060	33	1
0101/0112/8012	27	1	0101/0130/6070	25	1	0101-0203-42	50	1	0101/0218/8012	30	1	0101/0315/6070	33	1
0101/0112/8060	27	1	0101/0130/6080	25	1	0101-0204-12	51	1	0101/0218/8060	30	1	0101/0315/6080	33	1
0101/0112/8070	27	1	0101/0130/8010	27	1	0101-0204-15	51	1	0101/0218/8070	30	1	0101/0315/8010	35	1
0101/0112/8080	27	1	0101/0130/8012	27	1	0101-0204-18	51	1	0101/0218/8080	30	1	0101/0315/8012	35	1
0101/0115/5510	23	1	0101/0130/8060	27	1	0101-0204-24	51	1	0101/0224/6010	29	1	0101/0315/8012	35	1
0101/0115/5512	23	1	0101/0130/8070	27	1	0101-0204-30	51	1	0101/0224/6012	29	1	0101/0315/8060	35	1
0101/0115/5560	23	1	0101/0130/8080	27	1	0101-0204-36	51	1	0101/0224/6060	29	1	0101/0315/8070	35	1
0101/0115/5570	23	1	0101/0136/5510	23	1	0101-0204-42	51	1	0101/0224/6070	29	1	0101/0315/8080	35	1
0101/0115/5580	23	1	0101/0136/5512	23	1	0101-0208-12	51	1	0101/0224/6080	29	1	0101/0318/6010	33	1
0101/0115/6010	25	1	0101/0136/5560	23	1	0101-0208-15	51	1	0101/0224/8010	30	1	0101/0318/6012	33	1
0101/0115/6012	25	1	0101/0136/5570	23	1	0101-0208-18	51	1	0101/0224/8012	30	1	0101/0318/6060	33	1
0101/0115/6060	25	1	0101/0136/5580	23	1	0101-0208-24	51	1	0101/0224/8060	30	1	0101/0318/6070	33	1
0101/0115/6070	25	1	0101/0136/6010	25	1	0101-0208-30	51	1	0101/0224/8070	30	1	0101/0318/6080	33	1
0101/0115/6080	25	1	0101/0136/6012	25	1	0101-0208-36	51	1	0101/0224/8080	30	1	0101/0318/8010	35	1
0101/0115/8010	27	1	0101/0136/6060	25	1	0101-0208-42	51	1	0101/0230/6010	29	1	0101/0318/8012	35	1
0101/0115/8012	27	1	0101/0136/6070	25	1	0101-0209.600	64	1	0101/0230/6012	29	1	0101/0318/8060	35	1
0101/0115/8060	27	1	0101/0136/6080	25	1	0101.0210.12	64	1	0101/0230/6060	29	1	0101/0318/8070	35	1
0101/0115/8070	27	1	0101/0136/8010	27	1	0101.0210.15	64	1	0101/0230/6070	29	1	0101/0318/8080	35	1
0101/0115/8080	27	1	0101/0136/8012	27	1	0101.0210.18	64	1	0101/0230/6080	29	1	0101/0324/6010	33	1
0101/0118/5510	23	1	0101/0136/8060	27	1	0101.0210.24	64	1	0101/0230/6080	29	1	0101/0324/6012	33	1
0101/0118/5512	23	1	0101/0136/8070	27	1	0101.0210.30	64	1	0101/0230/8010	30	1	0101/0324/6060	33	1
0101/0118/5560	23	1	0101/0136/8080	27	1	0101.0210.36	64	1	0101/0230/8012	30	1	0101/0324/6070	33	1
0101/0118/5570	23	1	0101/0142/5510	23	1	0101.0210.42	64	1	0101/0230/8060	30	1	0101/0324/6080	33	1
0101/0118/5580	23	1	0101/0142/5512	23	1	0101-0211-12	63	1	0101/0230/8080	30	1	0101/0324/8010	35	1

Code	Pg	Chap.	Code	Pg	Chap.	Code	Pg	Chap.	Code	Pg	Chap.	Code	Pg	Chap.
0101/0324/8012	35	1	0101.0407.1060	56	1	0101-0412-1180	55	1	0101-0502-5570	60	1	0101.0602.8060	41	1
0101/0324/8060	35	1	0101.0407.1070	56	1	0101-0412-1180	56	1	0101-0502-5580	60	1	0101.0602.8070	41	1
0101/0324/8070	35	1	0101.0407.1080	56	1	0101.0413.0220	108	2	0101-0502-6010	60	1	0101.0602.8080	41	1
0101/0324/8080	35	1	0101.0407.6010	56	1	0101.0413.0220	57	1	0101-0502-6012	60	1	0101-0603-5510	40	1
0101/0330/6010	33	1	0101.0407.6012	56	1	0101.0413.0230	108	2	0101-0502-6060	60	1	0101-0603-5512	40	1
0101/0330/6012	33	1	0101.0407.6060	56	1	0101.0413.0230	57	1	0101-0502-6070	60	1	0101-0603-5560	40	1
0101/0330/6060	33	1	0101.0407.6070	56	1	0101.0413.0240	108	2	0101-0502-6080	60	1	0101-0603-5570	40	1
0101/0330/6070	33	1	0101.0407.6080	56	1	0101.0413.0240	57	1	0101-0502-8010	60	1	0101-0603-5580	40	1
0101/0330/6080	33	1	0101.0407.8010	56	1	0101.0413.0320	108	2	0101-0502-8012	60	1	0101-0603-6010	40	1
0101/0330/8010	35	1	0101.0407.8012	56	1	0101.0413.0320	57	1	0101-0502-8060	60	1	0101-0603-6012	40	1
0101/0330/8010	35	1	0101.0407.8060	56	1	0101.0413.0330	108	2	0101-0502-8070	60	1	0101-0603-6060	40	1
0101/0330/8012	35	1	0101.0407.8070	56	1	0101.0413.0330	57	1	0101-0502-8080	60	1	0101-0603-6070	40	1
0101/0330/8012	35	1	0101.0407.8080	56	1	0101.0413.0340	108	2	0101-0505-5510	60	1	0101-0603-6080	40	1
0101/0330/8060	35	1	0101.0408.1010	56	1	0101.0413.0340	57	1	0101-0505-5512	60	1	0101-0603-8010	40	1
0101/0330/8060	35	1	0101.0408.1012	56	1	0101.0414.0220	108	2	0101-0505-5560	60	1	0101-0603-8012	40	1
0101/0330/8070	35	1	0101.0408.1060	56	1	0101.0414.0220	57							

PURCHASE CODES SUMMARY

LEGENDA CHAP: 1= Alurack 2=Compact rack 3=Simple rack 4=Lab rack 5=Subrack executive 6=Subrack Rail
7=Subrack Rail Plus 8=Instrument 9=3 Units subunit 10=6 Units subunit 11=Front Panel

PURCHASE CODES SUMMARY FROM 0101-0603-6060 TO 0101-9824-6070

PURCHASE CODES SUMMARY FROM 0101-9824-6080 TO 0202-0109-6022

Code	Pg	Chap.	Code	Pg	Chap.	Code	Pg	Chap.	Code	Pg	Chap.	Code	Pg	Chap.
0101-0701-1880	38	1	0101-0801-1560	37	1	0101-0904-0610	42	1	0101-2401-5560	59	1	0101-2404-8070	59	1
0101-0701-2455	38	1	0101-0801-1580	37	1	0101-0904-0612	42	1	0101-2401-5570	59	1	0101-2404-8080	59	1
0101-0701-2460	38	1	0101-0801-1860	37	1	0101-0904-0655	42	1	0101-2401-5580	59	1	0101-9812-5510	21	1
0101-0701-2480	38	1	0101-0801-1880	37	1	0101-0904-0660	42	1	0101-2401-6010	59	1	0101-9812-5512	21	1
0101-0701-3055	38	1	0101-0801-2460	37	1	0101-0904-0670	42	1	0101-2401-6012	59	1	0101-9812-5560	21	1
0101-0701-3060	38	1	0101-0801-2480	37	1	0101-0904-0680	42	1	0101-2401-6060	59	1	0101-9812-5570	21	1
0101-0701-3080	38	1	0101-0801-3060	37	1	0101.1001.1260	62	1	0101-2401-6070	59	1	0101-9812-5580	21	1
0101-0701-3655	38	1	0101-0801-3080	37	1	0101.1001.1260	62	1	0101-2401-6080	59	1	0101-9812-6010	21	1
0101-0701-3660	38	1	0101-0801-3660	37	1	0101.1001.1280	62	1	0101-2401-8010	59	1	0101-9812-6012	21	1
0101-0701-3680	38	1	0101-0801-3680	37	1	0101.1001.1560	62	1	0101-2401-8012	59	1	0101-9812-6060	21	1
0101-0701-4255	38	1	0101-0801-4260	37	1	0101.1001.1560	62	1	0101-2401-8060	59	1	0101-9812-6070	21	1
0101-0701-4260	38	1	0101-0801-4280	37	1	0101.1001.1580	62	1	0101-2401-8070	59	1	0101-9812-6080	21	1
0101-0701-4280	38	1	0101-0802-1260	37	1	0101.1001.1860	62	1	0101-2401-8080	59	1	0101-9812-8010	21	1
0101-0702-1210	39	1	0101-0802-1280	37	1	0101.1001.1860	62	1	0101-2402-5510	58	1	0101-9812-8012	21	1
0101-0702-1212	39	1	0101-0802-1560	37	1	0101.1001.1880	62	1	0101-2402-5512	58	1	0101-9812-8060	21	1
0101-0702-1260	39	1	0101-0802-1580	37	1	0101.1001.2460	62	1	0101-2402-5560	58	1	0101-9812-8070	21	1
0101-0702-1270	39	1	0101-0802-1860	37	1	0101.1001.2460	62	1	0101-2402-5570	58	1	0101-9812-8080	21	1
0101-0702-1280	39	1	0101-0802-1880	37	1	0101.1001.2480	62	1	0101-2402-5580	58	1	0101-9815-5510	21	1
0101-0702-1510	39	1	0101-0802-2460	37	1	0101.1001.3060	62	1	0101-2402-6010	58	1	0101-9815-5512	21	1
0101-0702-1512	39	1	0101-0802-2480	37	1	0101.1001.3060	62	1	0101-2402-6012	58	1	0101-9815-5560	21	1
0101-0702-1560	39	1	0101-0802-3060	37	1	0101.1001.3080	62	1	0101-2402-6060	58	1	0101-9815-5570	21	1
0101-0702-1570	39	1	0101-0802-3080	37	1	0101.1001.3660	62	1	0101-2402-6070	58	1	0101-9815-5580	21	1
0101-0702-1580	39	1	0101-0802-3660	37	1	0101.1001.3660	62	1	0101-2402-6080	58	1	0101-9815-6010	21	1
0101-0702-1810	39	1	0101-0802-3680	37	1	0101.1001.3680	62	1	0101-2402-8010	58	1	0101-9815-6012	21	1
0101-0702-1812	39	1	0101-0802-4260	37	1	0101.1001.4260	62	1	0101-2402-8012	58	1	0101-9815-6060	21	1
0101-0702-1860	39	1	0101-0802-4280	37	1	0101.1001.4260	62	1	0101-2402-8060	58	1	0101-9815-6070	21	1
0101-0702-1870	39	1	0101-0901-0310	42	1	0101.1001.4280	62	1	0101-2402-8070	58	1	0101-9815-6080	21	1
0101-0702-1880	39	1	0101-0901-0312	42	1	0101.1203.55	63	1	0101-2402-8080	58	1	0101-9815-8010	21	1
0101-0702-2410	39	1	0101-0901-0355	42	1	0101.1203.60	63	1	0101-2403-5510	58	1	0101-9815-8012	21	1
0101-0702-2412	39	1	0101-0901-0360	42	1	0101.1203.80	63	1	0101-2403-5512	58	1	0101-9815-8060	21	1
0101-0702-2460	39	1	0101-0901-0370	42	1	0101.1204.X1	62	1	0101-2403-5560	58	1	0101-9815-8070	21	1
0101-0702-2470	39	1	0101-0901-0380	42	1	0101.1204.X2	62	1	0101-2403-5570	58	1	0101-9815-8080	21	1
0101-0702-2480	39	1	0101-0901-0610	42	1	0101/1212/6020	132	4	0101-2403-5580	58	1	0101-9818-5510	21	1
0101-0702-3010	39	1	0101-0901-0612	42	1	0101/1215/6020	132	4	0101-2403-6010	58	1	0101-9818-5512	21	1
0101-0702-3012	39	1	0101-0901-0655	42	1	0101/1218/6020	132	4	0101-2403-6012	58	1	0101-9818-5560	21	1
0101-0702-3060	39	1	0101-0901-0660	42	1	0101/1224/6020	132	4	0101-2403-6060	58	1	0101-9818-5570	21	1
0101-0702-3070	39	1	0101-0901-0670	42	1	0101/1230/6020	132	4	0101-2403-6070	58	1	0101-9818-5580	21	1
0101-0702-3080	39	1	0101-0901-0680	42	1	0101/1236/6020	132	4	0101-2403-6080	58	1	0101-9818-6010	21	1
0101-0702-3610	39	1	0101-0902-0310	43	1	0101/1312/6020	133	4	0101-2403-8010	58	1	0101-9818-6012	21	1
0101-0702-3612	39	1	0101-0902-0312	43	1	0101/1315/6020	133	4	0101-2403-8012	58	1	0101-9818-6060	21	1
0101-0702-3660	39	1	0101-0902-0355	43	1	0101/1318/6020	133	4	0101-2403-8060	58	1	0101-9818-6070	21	1
0101-0702-3670	39	1	0101-0902-0360	43	1	0101/1324/6020	133	4	0101-2403-8070	58	1	0101-9818-6080	21	1
0101-0702-3680	39	1	0101-0902-0370	43	1	0101/1330/6020	133	4	0101-2403-8080	58	1	0101-9818-8010	21	1
0101-0702-4210	39	1	0101-0902-0380	43	1	0101/1336/6020	133	4	0101-2404-5510	59	1	0101-9818-8012	21	1
0101-0702-4212	39	1	0101-0903-10	43	1	0101.1901.1002	82	1	0101-2404-5512	59	1	0101-9818-8060	21	1
0101-0702-4260	39	1	0101-0903-12	43	1	0101.1901.1202	82	1	0101-2404-5560	59	1	0101-9818-8070	21	1
0101-0702-4270	39	1	0101-0903-55	43	1	0101.1901.2000	135	4	0101-2404-5570	59	1	0101-9818-8080	21	1
0101-0702-4280	39	1	0101-0903-60	43	1	0101.1901.5501	82	1	0101-2404-5580	59	1	0101-9824-5510	21	1
0101-0704-1220	134	4	0101-0903-70	43	1	0101.1901.6000	135	4	0101-2404-6010	59	1	0101-9824-5512	21	1
0101-0704-1520	134	4	0101-0903-80	43	1	0101.1901.6001	82	1	0101-2404-6012	59	1	0101-9824-5560	21	1
0101-0704-1820	134	4	0101-0904-0310	42	1	0101.1901.6002	82	1	0101-2404-6060	59	1	0101-9824-5570	21	1
0101-0704-2420	134	4	0101-0904-0312	42	1	0101.1901.7002	82	1	0101-2404-6070	59	1	0101-9824-5580	21	1
0101-0704-3020	134	4	0101-0904-0355	42	1	0101.1901.8001	82	1	0101-2404-6080	59	1	0101-9824-6010	21	1
0101-0704-3620	134	4	0101-0904-0360	42	1	0101.1901.8002	82	1	0101-2404-8010	59	1	0101-9824-6012	21	1
0101-0801-1260	37	1	0101-0904-0370	42	1	0101.2401.5510	59	1	0101-2404-8012	59	1	0101-9824-6060	21	1
0101-0801-1280	37	1	0101-0904-0380	42	1	0101-2401-5512	59	1	0101-2404-8060	59	1	0101-9824-6070	21	1

Code	Pg	Chap.	Code	Pg	Chap.	Code	Pg	Chap.	Code	Pg	Chap.	Code	Pg	Chap.
0101-9824-6080	21	1	0202.0101.42	230	8	0202.0501.84	152	5	0202.0902.02	157	5	0202.1107.2284	159	5
0101-9824-8010	21	1	0202.0101.60	150	5	0202.0502.42	152	5	0202.0902.03	157	5	0202.1108.1642	159	5
0101-9824-8012	21	1	0202.0101.60	230	8	0202.0502.60	152	5	0202.0902.04	157	5	0202.1108.1660	159	5
0101-9824-8060	21	1	0202.0101.84	150	5	0202.0502.84	152	5	0202.0902.05	157	5	0202.1108.1684	159	5
0101-9824-8070	21	1	0202.0101.84	230	8	0202.0601.42	151	5	0202.0902.06	157	5	0202.1108.2242	159	5
0101-9824-8080	21	1	0202-0103-4216	145	5	0202.0601.42	231	8	0202.0902.09	157	5	0202.1108.2260	159	5
0101-9830-5510	21	1	0202-0103-4222	145	5	0202.0601.60	151	5	0202.0906.01	157	5	0202.1108.2284	159	5
0101-9830-5512	21	1	0202-0103-6016	145	5	0202.0601.60	231	8	0202.0906.02	157	5	0202.1109.1642	159	5
0101-9830-5560	21	1	0202-0103-6022	145	5	0202.0601.84	151	5	0202.0906.03	157	5	0202.1109.1660	159	5
0101-9830-5570	21	1	0202-0103-8416	145	5	0202.0601.84	231	8	0202.0906.04	157	5	0202.1109.1684	159	5
0101-9830-5580	21	1	0202-0103-8422	145	5	0202.0701.0316	156	5	0202.0906.05	157	5	0202.1109.2242	159	5
0101-9830-6010	21	1	0202.0104.42	153	5	0202.0701.0616	156	5	0202.0906.06	157	5	0202.1109.2260	159	5
0101-9830-6012	21	1	0202.0104.60	153	5	0202.0701.0916	156	5	0202.0906.07	157	5	0202.1109.2284	159	5
0101-9830-6060	21	1	0202.0104.84	153	5	0202.0702.0316	156	5	0202.0906.08	157	5	0202.1110.1642	159	5
0101-9830-6070	21	1	0202-0106-4216	147	5	0202.0702.0616	156	5	0202.0906.09	157	5	0202.1110.1660	159	5
0101-9830-6080	21	1	0202											

PURCHASE CODES SUMMARY

LEGENDA CHAP.: 1= Alurack 2=Compact rack 3=Simple rack 4=Lab rack 5=Subrack executive 6=Subrack Rail
7=Subrack Rail Plus 8=Instrument 9=3 Units subunit 10=6 Units subunit 11=Front Panel

Code	Pg	Chap.	Code	Pg	Chap.	Code	Pg	Chap.	Code	Pg	Chap.	Code	Pg	Chap.			
0202.1601.60	150	5	0203-0406-4222	200	7	0203.0901.04	185	6	0203.1107.1642	187	6	0204.0301.60	202	7			
0202.1601.60	230	8	0203-0406-6016	178	6	0203.0901.05	185	6	0203.1107.1660	187	6	0204.0301.84	202	7			
0202.1601.84	150	5	0203-0406-6016	200	7	0203.0901.06	185	6	0203.1107.1684	187	6	0204.0401.42	202	7			
0202.1601.84	230	8	0203-0406-6022	178	6	0203.0901.09	185	6	0203.1107.2242	187	6	0204.0401.60	202	7			
0202.1701.42	151	5	0203-0406-6022	200	7	0203.0902.01	185	6	0203.1107.2260	187	6	0204.0401.84	202	7			
0202.1701.42	231	8	0203-0406-8416	178	6	0203.0902.02	185	6	0203.1107.2284	187	6	0204.0501.42	203	7			
0202.1701.60	151	5	0203-0406-8416	200	7	0203.0902.03	185	6	0203.1108.1642	187	6	0204.0501.60	203	7			
0202.1701.60	231	8	0203-0406-8422	178	6	0203.0902.04	185	6	0203.1108.1660	187	6	0204.0501.84	203	7			
0202.1701.84	151	5	0203-0406-8422	200	7	0203.0902.05	185	6	0203.1108.1684	187	6	0204.0601.42	203	7			
0202.1701.84	231	8	0203.0501.42	181	6	0203.0902.06	185	6	0203.1108.2242	187	6	0204.0601.60	203	7			
0202.1703.42	151	5	0203.0501.60	181	6	0203.0902.09	185	6	0203.1108.2260	187	6	0204.0601.84	203	7			
0202.1703.60	151	5	0203.0501.84	181	6	0203.0906.01	185	6	0203.1108.2284	187	6	0204.0801.0116	206	7			
0202.1703.84	151	5	0203.0601.42	181	6	0203.0906.02	185	6	0203.1109.1642	187	6	0204.0801.0122	206	7			
0202.1801.42	151	5	0203.0601.60	181	6	0203.0906.03	185	6	0203.1109.1660	187	6	0204.0801.0216	206	7			
0202.1801.42	231	8	0203.0601.84	181	6	0203.0906.04	185	6	0203.1109.1684	187	6	0204.0801.0222	206	7			
0202.1801.60	151	5	0203.0701.0316	184	6	0203.0906.05	185	6	0203.1109.2242	187	6	0204.0801.0316	206	7			
0202.1801.60	231	8	0203.0701.0616	184	6	0203.0906.06	185	6	0203.1109.2260	187	6	0204.0801.0322	206	7			
0202.1801.84	151	5	0203.0701.0916	184	6	0203.0906.07	185	6	0203.1109.2284	187	6	0204.0801.0416	206	7			
0202.1801.84	231	8	0203.0702.0316	184	6	0203.0906.08	185	6	0203.1110.1642	187	6	0204.0801.0422	206	7			
0203			0203.0702.0616	184	6	0203.0906.09	185	6	0203.1110.1660	187	6	0204.0801.0516	206	7			
0203.0101.42	180	6	0203.0702.0916	184	6	0203.0907.01	185	6	0203.1110.1684	187	6	0204.0801.0522	206	7			
0203.0101.60	180	6	0203.0703.0316	184	6	0203.0907.02	185	6	0203.1110.2242	187	6	0204.0801.0616	206	7			
0203.0101.84	180	6	0203.0703.0616	184	6	0203.0907.03	185	6	0203.1110.2260	187	6	0204.0801.0622	206	7			
0203-0103-4216	177	6	0203.0703.0916	184	6	0203.0907.04	185	6	0203.1110.2284	187	6	0204.0801.0916	206	7			
0203-0103-4222	177	6	0203.0704.0316	184	6	0203.0907.05	185	6	0203.1301.1642	188	6	0204.0801.0922	206	7			
0203-0103-6016	177	6	0203.0704.0616	184	6	0203.0907.06	185	6	0203.1301.1660	188	6	0204.0901.01	206	7			
0203-0103-6022	177	6	0203.0704.0916	184	6	0203.0907.07	185	6	0203.1301.1684	188	6	0204.0901.02	206	7			
0203-0103-8416	177	6	0203.0711.0322	184	6	0203.0907.08	185	6	0203.1301.2242	188	6	0204.0901.03	206	7			
0203-0103-8422	177	6	0203.0711.0622	184	6	0203.0907.09	185	6	0203.1301.2260	188	6	0204.0901.04	206	7			
0203-0106-4216	179	6	0203.0711.0922	184	6	0203.1001.03	184	6	0203.1302.1642	188	6	0204.0901.05	206	7			
0203-0106-4216	201	7	0203.0712.0322	184	6	0203.1001.06	184	6	0203.1302.1660	188	6	0204.0901.06	206	7			
0203-0106-4222	179	6	0203.0712.0622	184	6	0203.1001.09	184	6	0203.1302.1684	188	6	0204.0901.09	206	7			
0203-0106-4222	201	7	0203.0712.0922	184	6	0203.1101.1642	186	6	0203.1302.2242	188	6	0204.0902.01	206	7			
0203-0106-6016	179	6	0203.0713.0316	184	6	0203.1101.1660	186	6	0203.1302.2260	188	6	0204.0902.02	206	7			
0203-0106-6016	201	7	0203.0713.0622	184	6	0203.1101.1684	186	6	0203.1302.2284	188	6	0204.0902.03	206	7			
0203-0106-6022	179	6	0203.0713.0922	184	6	0203.1101.2242	186	6	0203.1403.0616	188	6	0204.0902.04	206	7			
0203-0106-6022	201	7	0203.0714.0322	184	6	0203.1101.2260	186	6	0203.1403.0622	188	6	0204.0902.05	206	7			
0203-0106-8416	179	6	0203.0714.0622	184	6	0203.1101.2284	186	6	0203.1403.0916	188	6	0204.0902.06	206	7			
0203-0106-8416	201	7	0203.0714.0922	184	6	0203.1103.1642	186	6	0203.1403.0922	188	6	0204.0902.09	206	7			
0203-0106-8422	179	6	0203.0801.0116	185	6	0203.1103.1660	186	6	0203.1404.0616	188	6	0204.0906.01	207	7			
0203-0106-8422	201	7	0203.0801.0122	185	6	0203.1103.1684	186	6	0203.1404.0622	188	6	0204.0906.02	207	7			
0203.0301.42	180	6	0203.0801.0216	185	6	0203.1103.2242	186	6	0203.1404.0916	188	6	0204.0906.03	207	7			
0203.0301.60	180	6	0203.0801.0222	185	6	0203.1103.2260	186	6	0203.1501.42	181	6	0204.0906.04	207	7			
0203.0301.84	180	6	0203.0801.0316	185	6	0203.1103.2284	186	6	0203.1501.60	181	6	0204.0906.05	207	7			
0203.0401.42	180	6	0203.0801.0322	185	6	0203.1104.1642	186	6	0203.1501.84	181	6	0204.0906.06	207	7			
0203.0401.60	180	6	0203.0801.0416	185	6	0203.1104.1660	186	6	0203.1601.42	180	6	0204.0906.07	207	7			
0203.0401.84	180	6	0203.0801.0422	185	6	0203.1104.1684	186	6	0203.1601.60	180	6	0204.0906.08	207	7			
0203-0403-4216	176	6	0203.0801.0516	185	6	0203.1104.2242	186	6	0203.1601.84	180	6	0204.0906.09	207	7			
0203-0403-4222	176	6	0203.0801.0522	185	6	0203.1104.2260	186	6	0203.1601.84	180	6	0204.0907.01	207	7			
0203-0403-6016	176	6	0203.0801.0616	185	6	0203.1104.2284	186	6	0203.1601.84	180	6	0204.0907.02	207	7			
0203-0403-6022	176	6	0203.0801.0622	185	6	0203.1106.1642	187	6	0204.0907.03	207	7	0204.0907.03	207	7			
0203-0403-8416	176	6	0203.0801.0916	185	6	0203.1106.1660	187	6	0204.0907.04	207	7	0204.0907.04	207	7			
0203-0403-8422	176	6	0203.0801.0922	185	6	0203.1106.1684	187	6	0204.0907.05	207	7	0204.0907.05	207	7			
0203-0406-4216	178	6	0203.0901.01	185	6	0203.1106.2242	187	6	0204.0907.06	207	7	0204.0907.06	207	7			
0203-0406-4216	200	7	0203.0901.02	185	6	0203.1106.2260	187	6	0204.0907.07	207	7	0204.0907.07	207	7			
0203-0406-4222	178	6	0203.0901.03	185	6	0203.1106.2284	187	6	0204.0907.08	207	7	0204.0907.08	207	7			
						0204											
						0204.0101.42	202	7									
						0204.0101.60	202	7									
						0204.0101.84	202	7									
						0204.0301.42	202	7									

Code	Pg	Chap.	Code	Pg	Chap.	Code	Pg	Chap.	Code	Pg	Chap.	Code	Pg	Chap.
0204.0907.09	207	7	0204.1302.1660	210	7	0303-0103-4216	257	9	0303.0703.0610	269	10	0303.0803.0314	260	9
0204.1001.03	206	7	0204.1302.1684	210	7	0303-0103-4218	257	9	0303.0703.0612	269	10	0303.0803.0321	260	9
0204.1001.06	206	7	0204.1302.2242	210	7	0303-0103-4222	257	9	0303.0703.0614	269	10	0303.0803.0328	260	9
0204.1001.09	206	7	0204.1302.2260	210	7	0303-0103-4228	257	9	0303.0703.0621	269	10	0303.0803.0342	260	9
0204.1104.1642	209	7	0204.1302.2284	210	7	0303-0106-1016	267	10	0303.0703.0628	269	10	0303.0803.0610	270	10
0204.1104.1660	209	7	0204.1403.0616	210	7	0303-0106-1018	267	10	0303.0703.0642	269	10	0303.0803.0612	270	10
0204.1104.1684	209	7	0204.1403.0622	210	7	0303-0106-1022	267	10	0303.0705.0310	259	9	0303.0803.0614	270	10
0204.1104.2242	209	7	0204.1403.0916	210	7	0303-0106-1028	267	10	0303.0705.0312	259	9	0303.0803.0621	270	10
0204.1104.2260	209	7	0204.1403.0922	210	7	0303-0106-1216	267	10	0303.0705.0314	259	9	0303.0803.0628	270	10
0204.1104.2284	209	7	0204.1404.0616	210	7	0303-0106-1218	267	10	0303.0705.0321	259	9	0303.0803.0642	270	10
0204.1106.1642	209	7	0204.1404.0622	210	7	0303-0106-1222	267	10	0303.0705.0328	259	9	0303.0901.1016	258	9
0204.1106.1660	209	7	0204.1404.0916	210	7	0303-0106-1228	267	10	0303.0705.0342	259	9	0303.0901.1016	268	10
0204.1106.1684	209	7	0204.1404.0922	210	7	0303-0106-1416	267	10	0303.0705.0610	269	10	0303.0901.1018	258	9
0204.1106.2242	209	7	0204.1504.42											

PURCHASE CODES SUMMARY

LEGENDA CHAP: 1= Alurack 2=Compact rack 3=Simple rack 4=Lab rack 5=Subrack executive 6=Subrack Rail
 7=Subrack Rail Plus 8=Instrument 9=3 Units subunit 10=6 Units subunit 11=Front Panel

Code	Pg	Chap.	Code	Pg	Chap.	Code	Pg	Chap.	Code	Pg	Chap.	Code	Pg	Chap.
0303.0901.4228	258	9	0303.1101.0610	269	10	0404.0101.0314	283	11	0404.0103.0320	283	11	0404.0105.0601	285	11
0303.0901.4228	268	10	0303.1101.0612	269	10	0404.0101.0315	283	11	0404.0103.0321	283	11	0404.0105.0602	285	11
0303.0902.1016	258	9	0303.1101.0614	269	10	0404.0101.0316	283	11	0404.0103.0328	283	11	0404.0105.0603	285	11
0303.0902.1016	268	10	0303.1101.0621	269	10	0404.0101.0317	283	11	0404.0103.0342	283	11	0404.0105.0604	285	11
0303.0902.1018	258	9	0303.1101.0628	269	10	0404.0101.0318	283	11	0404.0103.0363	283	11	0404.0105.0605	285	11
0303.0902.1018	268	10	0303.1101.0642	269	10	0404.0101.0319	283	11	0404.0103.0384	283	11	0404.0105.0606	285	11
0303.0902.1022	258	9	0303.1103.0310	259	9	0404.0101.0320	283	11	0404.0103.0601	285	11	0404.0105.0607	285	11
0303.0902.1022	268	10	0303.1103.0312	259	9	0404.0101.0321	283	11	0404.0103.0602	285	11	0404.0105.0608	285	11
0303.0902.1028	258	9	0303.1103.0314	259	9	0404.0101.0328	283	11	0404.0103.0603	285	11	0404.0105.0608	329	11
0303.0902.1028	268	10	0303.1103.0321	259	9	0404.0101.0342	283	11	0404.0103.0604	285	11	0404.0105.0609	285	11
0303.0902.1216	258	9	0303.1103.0328	259	9	0404.0101.0363	283	11	0404.0103.0605	285	11	0404.0105.0609	329	11
0303.0902.1216	268	10	0303.1103.0342	259	9	0404.0101.0384	283	11	0404.0103.0606	285	11	0404.0105.0610	285	11
0303.0902.1218	258	9	0303.1103.0610	269	10	0404.0101.0601	285	11	0404.0103.0607	285	11	0404.0105.0611	285	11
0303.0902.1218	268	10	0303.1103.0612	269	10	0404.0101.0602	285	11	0404.0103.0608	285	11	0404.0105.0612	285	11
0303.0902.1222	258	9	0303.1103.0614	269	10	0404.0101.0603	285	11	0404.0103.0609	285	11	0404.0105.0613	285	11
0303.0902.1222	268	10	0303.1103.0621	269	10	0404.0101.0604	285	11	0404.0103.0610	285	11	0404.0105.0614	285	11
0303.0902.1228	258	9	0303.1103.0628	269	10	0404.0101.0605	285	11	0404.0103.0611	285	11	0404.0105.0615	285	11
0303.0902.1228	268	10	0303.1103.0642	269	10	0404.0101.0606	285	11	0404.0103.0612	285	11	0404.0105.0616	285	11
0303.0902.1416	258	9	0303.1105.0310	259	9	0404.0101.0607	285	11	0404.0103.0613	285	11	0404.0105.0617	285	11
0303.0902.1416	268	10	0303.1105.0312	259	9	0404.0101.0608	285	11	0404.0103.0614	285	11	0404.0105.0618	285	11
0303.0902.1418	258	9	0303.1105.0314	259	9	0404.0101.0609	285	11	0404.0103.0615	285	11	0404.0105.0619	285	11
0303.0902.1418	268	10	0303.1105.0321	259	9	0404.0101.0610	285	11	0404.0103.0616	285	11	0404.0105.0620	285	11
0303.0902.1422	258	9	0303.1105.0328	259	9	0404.0101.0611	285	11	0404.0103.0617	285	11	0404.0105.0621	285	11
0303.0902.1422	268	10	0303.1105.0342	259	9	0404.0101.0612	285	11	0404.0103.0618	285	11	0404.0105.0628	285	11
0303.0902.1428	258	9	0303.1105.0610	269	10	0404.0101.0613	285	11	0404.0103.0619	285	11	0404.0105.0642	285	11
0303.0902.1428	268	10	0303.1105.0612	269	10	0404.0101.0614	285	11	0404.0103.0620	285	11	0404.0105.0663	285	11
0303.0902.2116	258	9	0303.1105.0614	269	10	0404.0101.0615	285	11	0404.0103.0621	285	11	0404.0105.0684	285	11
0303.0902.2116	268	10	0303.1105.0621	269	10	0404.0101.0616	285	11	0404.0103.0628	285	11	0404.0113.0301	305	11
0303.0902.2118	258	9	0303.1105.0628	269	10	0404.0101.0617	285	11	0404.0103.0642	285	11	0404.0113.0302	305	11
0303.0902.2118	268	10	0303.1105.0642	269	10	0404.0101.0618	285	11	0404.0103.0663	285	11	0404.0113.0303	305	11
0303.0902.2122	258	9	0303.1106.0310	259	9	0404.0101.0619	285	11	0404.0103.0684	285	11	0404.0113.0304	305	11
0303.0902.2122	268	10	0303.1106.0312	259	9	0404.0101.0620	285	11	0404.0105.0301	283	11	0404.0113.0305	305	11
0303.0902.2128	258	9	0303.1106.0314	259	9	0404.0101.0621	285	11	0404.0105.0302	283	11	0404.0113.0306	305	11
0303.0902.2128	268	10	0303.1106.0321	259	9	0404.0101.0628	285	11	0404.0105.0303	283	11	0404.0113.0307	305	11
0303.0902.2816	258	9	0303.1106.0328	259	9	0404.0101.0642	285	11	0404.0105.0304	283	11	0404.0113.0308	305	11
0303.0902.2816	268	10	0303.1106.0342	259	9	0404.0101.0663	285	11	0404.0105.0305	283	11	0404.0113.0309	305	11
0303.0902.2818	258	9	0303.1106.0610	269	10	0404.0101.0684	285	11	0404.0105.0306	283	11	0404.0113.0310	305	11
0303.0902.2818	268	10	0303.1106.0612	269	10	0404.0103.0301	283	11	0404.0105.0307	283	11	0404.0113.0311	305	11
0303.0902.2822	258	9	0303.1106.0614	269	10	0404.0103.0302	283	11	0404.0105.0308	283	11	0404.0113.0312	305	11
0303.0902.2822	268	10	0303.1106.0621	269	10	0404.0103.0303	283	11	0404.0105.0309	283	11	0404.0113.0313	305	11
0303.0902.2828	258	9	0303.1106.0628	269	10	0404.0103.0304	283	11	0404.0105.0310	283	11	0404.0113.0314	305	11
0303.0902.2828	268	10	0303.1106.0642	269	10	0404.0103.0305	283	11	0404.0105.0311	283	11	0404.0113.0315	305	11
0303.0902.4216	258	9	0404			0404.0103.0306	283	11	0404.0105.0312	283	11	0404.0113.0316	305	11
0303.0902.4216	268	10	0404.0101.0301	283	11	0404.0103.0307	283	11	0404.0105.0313	283	11	0404.0113.0317	305	11
0303.0902.4218	258	9	0404.0101.0302	283	11	0404.0103.0308	283	11	0404.0105.0314	283	11	0404.0113.0318	305	11
0303.0902.4218	268	10	0404.0101.0303	283	11	0404.0103.0309	283	11	0404.0105.0315	283	11	0404.0113.0319	305	11
0303.0902.4222	258	9	0404.0101.0304	283	11	0404.0103.0310	283	11	0404.0105.0316	283	11	0404.0113.0320	305	11
0303.0902.4222	268	10	0404.0101.0305	283	11	0404.0103.0311	283	11	0404.0105.0317	283	11	0404.0113.0321	305	11
0303.0902.4228	258	9	0404.0101.0306	283	11	0404.0103.0312	283	11	0404.0105.0318	283	11	0404.0113.0328	305	11
0303.0902.4228	268	10	0404.0101.0307	283	11	0404.0103.0313	283	11	0404.0105.0319	283	11	0404.0113.0342	305	11
0303.1101.0310	259	9	0404.0101.0308	283	11	0404.0103.0314	283	11	0404.0105.0320	283	11	0404.0113.0363	305	11
0303.1101.0312	259	9	0404.0101.0309	283	11	0404.0103.0315	283	11	0404.0105.0321	283	11	0404.0113.0384	305	11
0303.1101.0314	259	9	0404.0101.0310	283	11	0404.0103.0316	283	11	0404.0105.0328	283	11	0404.0113.0601	307	11
0303.1101.0321	259	9	0404.0101.0311	283	11	0404.0103.0317	283	11	0404.0105.0342	283	11	0404.0113.0602	307	11
0303.1101.0328	259	9	0404.0101.0312	283	11	0404.0103.0318	283	11	0404.0105.0363	283	11	0404.0113.0603	307	11
0303.1101.0342	259	9	0404.0101.0313	283	11	0404.0103.0319	283	11	0404.0105.0384	283	11	0404.0113.0604	307	11

Code	Pg	Chap.	Code	Pg	Chap.	Code	Pg	Chap.	Code	Pg	Chap.	Code	Pg	Chap.
0404.0113.0605	307	11	0404.0115.0611	307	11	0404.0303.0316	287	11	0404.0313.0603	311	11	0404.0403.0306	291	11
0404.0113.0606	307	11	0404.0115.0612	307	11	0404.0303.0603	289	11	0404.0313.0603	311	11	0404.0403.0307	291	11
0404.0113.0607	307	11	0404.0115.0613	307	11	0404.0303.0604	289	11	0404.0313.0606	311	11	0404.0403.0308	291	11
0404.0113.0608	307	11	0404.0115.0614	307	11	0404.0303.0605	289	11	0404.0313.0607	311	11	0404.0403.0309	291	11
0404.0113.0609	307	11	0404.0115.0615	307	11	0404.0303.0606	289	11	0404.0313.0608	311	11	0404.0403.0310	291	11
0404.0113.0610	307	11	0404.0115.0616	307	11	0404.0303.0607	289	11	0404.0313.0609	311	11	0404.0403.0311	291	11
0404.0113.0611	307	11	0404.0115.0617	307	11	0404.0303.0608	289	11	0404.0313.0610	311	11	0404.0403.0312	291	11
0404.0113.0612	307	11	0404.0115.0618	307	11	0404.0303.0609	289	11	0404.0313.0611	311	11	0404.0403.0313	291	11
0404.0113.0613	307	11	0404.0115.0619	307	11	0404.0303.0610	289	11	0404.0313.0612	311	11	0404.0403.0314	291	11
0404.0113.0614	307	11	0404.0115.0620	307	11	0404.0303.0611	289	11	0404.0313.0613	311	11	0404.0403.0315	291	11
0404.0113.0615	307	11	0404.0115.0621	307	11	0404.0303.0612	289	11	0404.0313.0614	311	11	0404.0403.0316	291	11
0404.0113.0616	307	11	0404.0115.0628	307	11	0404.0303.0613	289	11	0404.0313.0615	311	11	0404.0405.0303	291	11
0404.0113.0617	307													

PURCHASE CODES SUMMARY

LEGENDA CHAP: 1= Alurack 2=Compact rack 3=Simple rack 4=Lab rack 5=Subrack executive 6=Subrack Rail
 7=Subrack Rail Plus 8=Instrument 9=3 Units subunit 10=6 Units subunit 11=Front Panel

Code	Pg	Chap.	Code	Pg	Chap.	Code	Pg	Chap.	Code	Pg	Chap.	Code	Pg	Chap.
0405.0403.0314	335	11	0405.0505.0314	337	11	0405.0605.0604	347	11	0405.1005.0608	343	11	0505.0711.0508	77	1
0405.0403.0315	335	11	0405.0505.0315	337	11	0405.0605.0605	347	11	0405.1005.0609	343	11	0505.0711.0508	77	1
0405.0403.0316	335	11	0405.0505.0316	337	11	0405.0605.0606	347	11	0405.1005.0610	343	11	0505.0102.42	154	5
0405.0405.0303	335	11	0405.0505.0603	339	11	0405.0605.0607	347	11	0405.1005.0611	343	11	0505.0102.42	182	6
0405.0405.0304	335	11	0405.0505.0604	339	11	0405.0605.0608	347	11	0405.1005.0612	343	11	0505.0102.42	204	7
0405.0405.0305	335	11	0405.0505.0605	339	11	0405.0605.0609	347	11	0405.1005.0613	343	11	0505.0102.42	233	8
0405.0405.0306	335	11	0405.0505.0606	339	11	0405.0605.0610	347	11	0405.1005.0614	343	11	0505.0102.60	154	5
0405.0405.0307	335	11	0405.0505.0607	339	11	0405.0605.0611	347	11	0405.1005.0615	343	11	0505.0102.60	182	6
0405.0405.0308	335	11	0405.0505.0608	339	11	0405.0605.0612	347	11				0505.0102.60	204	7
0405.0405.0309	335	11	0405.0505.0609	339	11	0405.0605.0613	347	11	0505			0505.0102.60	233	8
0405.0405.0310	335	11	0405.0505.0610	339	11	0405.0605.0614	347	11	0405.1005.0616	343	11	0505.0102.84	154	5
0405.0405.0311	335	11	0405.0505.0611	339	11	0405.0605.0615	347	11	0505.0701.0412	111	2	0505.0102.84	182	6
0405.0405.0312	335	11	0405.0505.0612	339	11	0405.0605.0616	347	11	0505.0701.0412	162	5	0505.0102.84	204	7
0405.0405.0313	335	11	0405.0505.0613	339	11	0405.1003.0304	341	11	0505.0701.0412	189	6	0505.0102.84	233	8
0405.0405.0314	335	11	0405.0505.0614	339	11	0405.1003.0305	341	11	0505.0701.0412	242	8	0505.0103.42	154	5
0405.0405.0315	335	11	0405.0505.0615	339	11	0405.1003.0306	341	11	0505.0701.0412	274	10	0505.0103.42	182	6
0405.0405.0316	335	11	0405.0505.0616	339	11	0405.1003.0307	341	11	0505.0701.0512	77	1	0505.0103.42	204	7
0405.0503.0303	337	11	0405.0603.0304	345	11	0405.1003.0308	341	11	0505.0703.0312	111	2	0505.0103.42	233	8
0405.0503.0304	337	11	0405.0603.0305	345	11	0405.1003.0309	341	11	0505.0703.0312	162	5	0505.0103.60	154	5
0405.0503.0305	337	11	0405.0603.0306	345	11	0405.1003.0310	341	11	0505.0703.0312	189	6	0505.0103.60	182	6
0405.0503.0306	337	11	0405.0603.0307	345	11	0405.1003.0311	341	11	0505.0703.0312	211	7	0505.0103.60	204	7
0405.0503.0307	337	11	0405.0603.0308	345	11	0405.1003.0312	341	11	0505.0703.0312	242	8	0505.0103.60	233	8
0405.0503.0308	337	11	0405.0603.0309	345	11	0405.1003.0313	341	11	0505.0703.0412	274	10	0505.0103.84	154	5
0405.0503.0309	337	11	0405.0603.0310	345	11	0405.1003.0314	341	11	0505.0703.0412	162	5	0505.0103.84	182	6
0405.0503.0310	337	11	0405.0603.0311	345	11	0405.1003.0315	341	11	0505.0703.0412	189	6	0505.0103.84	204	7
0405.0503.0311	337	11	0405.0603.0312	345	11	0405.1003.0316	341	11	0505.0703.0412	211	7	0505.0103.84	233	8
0405.0503.0312	337	11	0405.0603.0313	345	11	0405.1003.0604	343	11	0505.0703.0412	242	8	0505.0104.42	154	5
0405.0503.0313	337	11	0405.0603.0314	345	11	0405.1003.0605	343	11	0505.0703.0412	274	10	0505.0104.42	182	6
0405.0503.0314	337	11	0405.0603.0315	345	11	0405.1003.0606	343	11	0505.0703.0508	189	6	0505.0104.42	204	7
0405.0503.0315	337	11	0405.0603.0316	345	11	0405.1003.0607	343	11	0505.0703.0512	77	1	0505.0104.42	232	8
0405.0503.0316	337	11	0405.0603.0604	347	11	0405.1003.0608	343	11	0505.0703.0512	77	1	0505.0104.60	154	5
0405.0503.0603	339	11	0405.0603.0605	347	11	0405.1003.0609	343	11	0505.0704.0308	111	2	0505.0104.60	182	6
0405.0503.0604	339	11	0405.0603.0606	347	11	0405.1003.0610	343	11	0505.0704.0308	162	5	0505.0104.60	204	7
0405.0503.0605	339	11	0405.0603.0607	347	11	0405.1003.0611	343	11	0505.0704.0308	211	7	0505.0104.60	232	8
0405.0503.0606	339	11	0405.0603.0608	347	11	0405.1003.0612	343	11	0505.0704.0308	242	8	0505.0104.84	154	5
0405.0503.0607	339	11	0405.0603.0609	347	11	0405.1003.0613	343	11	0505.0704.0308	275	10	0505.0104.84	182	6
0405.0503.0608	339	11	0405.0603.0610	347	11	0405.1003.0614	343	11	0505.0704.0408	111	2	0505.0104.84	204	7
0405.0503.0609	339	11	0405.0603.0611	347	11	0405.1003.0615	343	11	0505.0704.0408	162	5	0505.0104.84	232	8
0405.0503.0610	339	11	0405.0603.0612	347	11	0405.1003.0616	343	11	0505.0704.0408	211	7	0505.0105.0302	232	8
0405.0503.0611	339	11	0405.0603.0613	347	11	0405.1005.0304	341	11	0505.0704.0408	242	8	0505.0105.3502	232	8
0405.0503.0612	339	11	0405.0603.0614	347	11	0405.1005.0305	341	11	0505.0704.0408	275	10	0505.0105.42	154	5
0405.0503.0613	339	11	0405.0603.0615	347	11	0405.1005.0306	341	11	0505.0704.0508	189	6	0505.0105.42	182	6
0405.0503.0614	339	11	0405.0603.0616	347	11	0405.1005.0307	341	11	0505.0704.0508	77	1	0505.0105.42	204	7
0405.0503.0615	339	11	0405.0605.0304	345	11	0405.1005.0308	341	11	0505.0704.0508	77	1	0505.0105.4502	232	8
0405.0503.0616	339	11	0405.0605.0305	345	11	0405.1005.0309	341	11	0505.0711.0308	111	2	0505.0105.5502	232	8
0405.0505.0303	337	11	0405.0605.0306	345	11	0405.1005.0310	341	11	0505.0711.0308	162	5	0505.0105.60	154	5
0405.0505.0304	337	11	0405.0605.0307	345	11	0405.1005.0311	341	11	0505.0711.0308	189	6	0505.0105.60	182	6
0405.0505.0305	337	11	0405.0605.0308	345	11	0405.1005.0312	341	11	0505.0711.0308	211	7	0505.0105.60	204	7
0405.0505.0306	337	11	0405.0605.0309	345	11	0405.1005.0313	341	11	0505.0711.0308	242	8	0505.0105.7002	232	8
0405.0505.0307	337	11	0405.0605.0310	345	11	0405.1005.0314	341	11	0505.0711.0308	275	10	0505.0105.7502	232	8
0405.0505.0308	337	11	0405.0605.0311	345	11	0405.1005.0315	341	11	0505.0711.0408	111	2	0505.0105.84	154	5
0405.0505.0309	337	11	0405.0605.0312	345	11	0405.1005.0316	341	11	0505.0711.0408	162	5	0505.0105.84	182	6
0405.0505.0310	337	11	0405.0605.0313	345	11	0405.1005.0604	343	11	0505.0711.0408	189	6	0505.0105.84	204	7
0405.0505.0311	337	11	0405.0605.0314	345	11	0405.1005.0605	343	11	0505.0711.0408	211	7	0505.0106.4203	154	5
0405.0505.0312	337	11	0405.0605.0315	345	11	0405.1005.0606	343	11	0505.0711.0408	242	8	0505.0106.4203	182	6
0405.0505.0313	337	11	0405.0605.0316	345	11	0405.1005.0607	343	11	0505.0711.0408	275	10	0505.0106.4203	204	7

Code	Pg	Chap.	Code	Pg	Chap.	Code	Pg	Chap.	Code	Pg	Chap.	Code	Pg	Chap.
0505.0106.4203	232	8	0505.0204.20	245	8	0505.0501.10	272	10	0505.0502.12	262	9	0505.0503.14	351	11
0505.0106.6003	154	5	0505.0204.22	165	5	0505.0501.10	350	11	0505.0502.12	272	10	0505.0503.16	263	9
0505.0106.6003	182	6	0505.0204.22	191	6	0505.0501.106	262	9	0505.0502.12	350	11	0505.0503.16	273	10
0505.0106.6003	204	7	0505.0204.22	213	7	0505.0501.106	272	10	0505.0502.14	262	9	0505.0503.16	351	11
0505.0106.6003	232	8	0505.0204.22	245	8	0505.0501.106	350	11	0505.0502.14	272	10	0505.0503.20	263	9
0505.0106.8403	154	5	0505.0204.24	165	5	0505.0501.12	262	9	0505.0502.14	350	11	0505.0503.20	273	10
0505.0106.8403	182	6	0505.0204.24	191	6	0505.0501.12	272	10	0505.0502.16	262	9	0505.0503.20	351	11
0505.0106.8403	204	7	0505.0204.24	213	7	0505.0501.12	350	11	0505.0502.16	272	10	0505.0503.21	263	9
0505.0106.8403	232	8	0505.0204.24	245	8	0505.0501.14	262	9	0505.0502.16	350	11	0505.0503.21	273	10
0505.0201.16	164	5	0505.0204.26	165	5	0505.0501.14	272	10	0505.0502.20	262	9	0505.0503.21	351	11
0505.0201.16	190	6	0505.0204.26	191	6	0505.0501.14	350	11	0505.0502.20	272	10	0505.0503.24	263	9
0505.0201.16	212	7	0505.0204.26	213	7	0505.0501.16	262	9	0505.0502.20	350	11	0505.0503.24	273	10
0505.0201.16	244	8	0505.0204.26	245	8	0505.0501.16	272	10	0505.0502.21	262	9	0505.0503.24	351	11
0505.0201.1602	164	5	0505.0204.28	165	5	0505.0501.16	350	11	0505.0502.21	272	10	0505.0503.3	263	9
0505.0201.1602	190	6	0505.0204.28	191	6									

PURCHASE CODES SUMMARY

LEGENDA CHAP.: 1= Alurack 2=Compact rack 3=Simple rack 4=Lab rack 5=Subrack executive 6=Subrack Rail
7=Subrack Rail Plus 8=Instrument 9=3 Units subunit 10=6 Units subunit 11=Front Panel

Code	Pg	Chap.	Code	Pg	Chap.	Code	Pg	Chap.	Code	Pg	Chap.	Code	Pg	Chap.
0505.0504.20	273	10	0505.0703.0212	189	6	0505.0806.04	274	10	0505.0902.84	155	5	0505.1203	248	8
0505.0504.20	351	11	0505.0703.0212	211	7	0505.0806.04	352	11	0505.0902.84	183	6	0505-1304	76	1
0505.0504.21	263	9	0505.0703.0212	242	8	0505.0806.05	265	9	0505.0902.84	205	7	0505.1401	80	1
0505.0504.21	273	10	0505.0703.0212	264	9	0505.0806.05	274	10	0505.0905.42	155	5	0505.1404	109	2
0505.0504.21	351	11	0505.0703.0212	274	10	0505.0806.05	352	11	0505.0905.42	183	6	0505.1404	80	1
0505.0504.24	263	9	0505.0703.0512	77	1	0505.0806.06	265	9	0505.0905.42	205	7	0505.1405	80	1
0505.0504.24	273	10	0505.0705.03	107	2	0505.0806.06	274	10	0505.0905.42	233	8	0505.1408	80	1
0505.0504.24	351	11	0505.0705.03	126	3	0505.0806.06	352	11	0505.0905.60	155	5	0505-2134-1301	353	11
0505.0504.3	263	9	0505.0706	107	2	0505.0806.07	265	9	0505.0905.60	183	6	0505-2134-1302	353	11
0505.0504.3	273	10	0505.0701	242	8	0505.0806.07	274	10	0505.0905.60	205	7	0505-2134-1401	353	11
0505.0504.3	351	11	0505.0801.03	265	9	0505.0806.07	352	11	0505.0905.60	233	8	0505-2134-1402	353	11
0505.0504.4	263	9	0505.0801.03	274	10	0505.0806.08	265	9	0505.0905.84	155	5	0505.2201.6030	79	1
0505.0504.4	273	10	0505.0801.03	352	11	0505.0806.08	274	10	0505.0905.84	183	6	0505.2301	136	4
0505.0504.4	351	11	0505.0801.04	265	9	0505.0806.08	352	11	0505.0905.84	205	7	0505.2301	65	1
0505.0504.42	263	9	0505.0801.04	274	10	0505.0806.09	265	9	0505.0905.84	233	8	0505.2302	110	2
0505.0504.42	273	10	0505.0801.04	352	11	0505.0806.09	274	10	0505.0906.42	155	5	0505.2302	126	3
0505.0504.42	351	11	0505.0801.05	265	9	0505.0806.09	352	11	0505.0906.42	183	6	0505.2302	243	8
0505.0504.5	263	9	0505.0801.05	274	10	0505.0806.10	265	9	0505.0906.42	205	7	0505.2304	110	2
0505.0504.5	273	10	0505.0801.05	352	11	0505.0806.10	274	10	0505.0906.60	155	5	0505.2304	126	3
0505.0504.5	351	11	0505.0801.06	265	9	0505.0806.10	352	11	0505.0906.60	183	6	0505.2304	243	8
0505.0504.6	263	9	0505.0801.06	274	10	0505.0806.11	265	9	0505.0906.60	205	7	0505.2305	110	2
0505.0504.6	273	10	0505.0801.06	352	11	0505.0806.11	274	10	0505.0906.84	155	5	0505.2305	243	8
0505.0504.6	351	11	0505.0801.07	265	9	0505.0806.11	352	11	0505.0906.84	183	6	0505.2405	113	2
0505.0504.7	263	9	0505.0801.07	274	10	0505.0806.12	265	9	0505.0906.84	205	7	0505-2406	110	2
0505.0504.7	273	10	0505.0801.07	352	11	0505.0806.12	274	10	0505.1105	113	2	0505-2501-10	65	1
0505.0504.7	351	11	0505.0801.08	265	9	0505.0806.12	352	11	0505.1105	136	4	0505.2602	348	11
0505.0504.8	263	9	0505.0801.08	274	10	0505.0806.13	265	9	0505.1105	81	1	0505.2603	261	9
0505.0504.8	273	10	0505.0801.08	352	11	0505.0806.13	274	10	0505.1105.01	136	4	0505.2603	271	10
0505.0504.8	351	11	0505.0801.09	265	9	0505.0806.13	352	11	0505.1105.01	81	1	0505.2603	348	11
0505.0504.84	263	9	0505.0801.09	274	10	0505.0806.14	265	9	0505.1105.02	136	4	0505.2604	348	11
0505.0504.84	273	10	0505.0801.09	352	11	0505.0806.14	274	10	0505.1105.02	81	1	0505.2701	109	2
0505.0504.84	351	11	0505.0801.10	265	9	0505.0806.14	352	11	0505.1105.03	136	4	0505.2701.02	109	2
0505.0504.9	263	9	0505.0801.10	274	10	0505.0806.15	265	9	0505.1105.03	81	1	0505.2705	79	1
0505.0504.9	273	10	0505.0801.10	352	11	0505.0806.15	274	10	0505.1201	168	5	0505.2901.0501	104	2
0505.0504.9	351	11	0505.0801.11	265	9	0505.0806.15	352	11	0505.1201	191	6	0505.2901.0502	104	2
0505.0601	261	9	0505.0801.11	274	10	0505.0806.16	265	9	0505.1201	213	7	0505.2901.0503	104	2
0505.0601	271	10	0505.0801.11	352	11	0505.0806.16	274	10	0505.1201	248	8	0505.2901.0504	104	2
0505.0601	348	11	0505.0801.12	265	9	0505.0806.16	352	11	0505.1201.02	166	5	0505.2901.0505	104	2
0505.0701.0212	111	2	0505.0801.12	274	10	0505.0901.42	155	5	0505.1201.02	192	6	0505.2901.0506	104	2
0505.0701.0212	162	5	0505.0801.12	352	11	0505.0901.42	183	6	0505.1201.02	214	7	0505.2901.0507	104	2
0505.0701.0212	189	6	0505.0801.13	265	9	0505.0901.42	205	7	0505.1201.02	246	8	0505.2901.0508	104	2
0505.0701.0212	211	7	0505.0801.13	274	10	0505.0901.42	233	8	0505.1202.03	168	5	0505.2901.0509	104	2
0505.0701.0212	242	8	0505.0801.13	352	11	0505.0901.60	155	5	0505.1202.03	191	6	0505.2901.0512	104	2
0505.0701.0212	264	9	0505.0801.14	265	9	0505.0901.60	183	6	0505.1202.03	213	7	0505.2901.0515	104	2
0505.0701.0212	274	10	0505.0801.14	274	10	0505.0901.60	205	7	0505.1202.03	248	8	0505.2901.0518	104	2
0505.0701.0312	111	2	0505.0801.14	352	11	0505.0901.60	233	8	0505.1202.04	168	5	0505.2901.0701	104	2
0505.0701.0312	162	5	0505.0801.15	265	9	0505.0901.84	155	5	0505.1202.04	191	6	0505.2901.0702	104	2
0505.0701.0312	189	6	0505.0801.15	274	10	0505.0901.84	183	6	0505.1202.04	213	7	0505.2901.0703	104	2
0505.0701.0312	211	7	0505.0801.15	352	11	0505.0901.84	205	7	0505.1202.04	248	8	0505.2901.0704	104	2
0505.0701.0312	242	8	0505.0801.16	265	9	0505.0901.84	233	8	0505.1202.06	168	5	0505.2901.0705	104	2
0505.0701.0312	274	10	0505.0801.16	274	10	0505.0902.42	155	5	0505.1202.06	191	6	0505.2901.0706	104	2
0505.0701.0412	211	7	0505.0801.16	352	11	0505.0902.42	183	6	0505.1202.06	213	7	0505.2901.0707	104	2
0505.0701.0512	77	1	0505.0806.03	265	9	0505.0902.42	205	7	0505.1202.06	248	8	0505.2901.0708	104	2
0505.0701.0512	77	1	0505.0806.03	274	10	0505.0902.60	155	5	0505.1203	168	5	0505.2901.0709	104	2
0505.0703.0212	111	2	0505.0806.03	352	11	0505.0902.60	183	6	0505.1203	191	6	0505.2901.0712	104	2
0505.0703.0212	162	5	0505.0806.04	265	9	0505.0902.60	205	7	0505.1203	213	7	0505.2901.0715	104	2

Code	Pg	Chap.	Code	Pg	Chap.	Code	Pg	Chap.	Code	Pg	Chap.	Code	Pg	Chap.
0505.2901.0718	104	2	0505.2905.0509	104	2	0505.2906.1004	105	2	0505.3802.100	78	1	0505.4401.24	69	1
0505.2901.0718	104	2	0505.2905.0512	104	2	0505.2906.1005	44	1	0505-3802-100	61	1	0505.4401.48	69	1
0505.2901.1001	44	1	0505.2905.0515	104	2	0505.2906.1005	105	2	0505.3802.125	78	1	0505.4601.06	69	1
0505.2901.1001	104	2	0505.2905.0518	104	2	0505.2906.1006	44	1	0505.3802.60	78	1	0505.4601.35	69	1
0505.2901.1002	44	1	0505.2905.0701	104	2	0505.2906.1006	105	2	0505.3803.100	78	1	0505.4701	69	1
0505.2901.1002	104	2	0505.2905.0702	104	2	0505.2908.0502	105	2	0505.3803.60	78	1	0505.4902	355	11
0505.2901.1003	44	1	0505.2905.0703	104	2	0505.2908.0503	105	2	0505.3804.100	78	1	0505.4902.03	355	11
0505.2901.1003	104	2	0505.2905.0704	104	2	0505.2908.0504	105	2	0505.3804.60	78	1	0505.5301.05	69	1
0505.2901.1004	44	1	0505.2905.0705	104	2	0505.2908.0505	105	2	0505-3804-60	61	1	0505.5301.10	69	1
0505.2901.1004	104	2	0505.2905.0706	104	2	0505.2908.0506	105	2	0505.3805.100	79	1	0505.5401	70	1
0505.2901.1005	44	1	0505.2905.0707	104	2	0505.2908.0702	105	2	0505.3805.125	79	1	0505.5601	70	1
0505.2901.1005	104	2	0505.2905.0708	104	2	0505.2908.0703	105	2	0505.3901.01	168	5	0505.5703.03	354	11
0505.2901.1006	44	1	0505.2905.0709	104	2	0505.2908.0704	105	2	0505.3903	169	5	0505.5703.06	354	11
0505.2901.1006	104	2	0505.2905.0712	104	2	0505.2908.0705	105	2	0505.3903	193	6	0505.5705.03	354	11
0505.2901.1007	104	2	0505.2905.0715	104	2	0505.2908.0706	105	2	0505.3903	215	7	0505.5705.06	354	11
0505.2901.1008	104	2	0505.2905.1001	44	1	0505.2908.1002	105	2	0505.3903	249	8	0505.5706.03	354	11
0505.2901.1009	44	1	0505.2905.1001	104	2	0505.2908.1002	76	1	0505.3904	166	5	0505.5706.06	354	11
0505.2901.1009	104	2	0505.2905.1002	44	1	0505.2908.1003	105	2	0505.3904	192	6	0505.5801.03	354	

PURCHASE CODES SUMMARY

LEGENDA CHAP: 1= Alurack 2=Compact rack 3=Simple rack 4=Lab rack 5=Subrack executive 6=Subrack Rail
7=Subrack Rail Plus 8=Instrument 9=3 Units subunit 10=6 Units subunit 11=Front Panel

Code	Pg	Chap.	Code	Pg	Chap.	Code	Pg	Chap.	Code	Pg	Chap.	Code	Pg	Chap.
0505.6401.16	247	8	0606/0103/0704	93	2	0606/0105/0510	93	2	0606/0107/0506	93	2	0606/0108/1012	93	2
0505.6401.20	167	5	0606-0103-0704	91	2	0606-0105-0510	91	2	0606-0107-0506	91	2	0606-0108-1012	91	2
0505.6401.20	193	6	0606/0103/0706	93	2	0606/0105/0512	93	2	0606/0107/0508	93	2	0606/0109/0504	93	2
0505.6401.20	215	7	0606-0103-0706	91	2	0606-0105-0512	91	2	0606-0107-0508	91	2	0606-0109-0504	91	2
0505.6401.20	247	8	0606/0103/0708	93	2	0606/0105/0704	93	2	0606/0107/0510	93	2	0606/0109/0506	93	2
0505.6402.16	167	5	0606-0103-0708	91	2	0606-0105-0704	91	2	0606-0107-0510	91	2	0606-0109-0506	91	2
0505.6402.16	193	6	0606/0103/0710	93	2	0606/0105/0706	93	2	0606/0107/0512	93	2	0606/0109/0508	93	2
0505.6402.16	215	7	0606-0103-0710	91	2	0606-0105-0706	91	2	0606-0107-0512	91	2	0606-0109-0508	91	2
0505.6402.16	247	8	0606/0103/0712	93	2	0606/0105/0708	93	2	0606/0107/0704	93	2	0606/0109/0510	93	2
0505.6402.20	167	5	0606-0103-0712	91	2	0606-0105-0708	91	2	0606-0107-0704	91	2	0606-0109-0510	91	2
0505.6402.20	193	6	0606/0103/1004	93	2	0606/0105/0710	93	2	0606/0107/0706	93	2	0606/0109/0512	93	2
0505.6402.20	215	7	0606-0103-1004	91	2	0606-0105-0710	91	2	0606-0107-0706	91	2	0606-0109-0512	91	2
0505.6402.20	247	8	0606/0103/1006	93	2	0606/0105/0712	93	2	0606/0107/0708	93	2	0606/0109/0704	93	2
0505.6403	167	5	0606-0103-1006	91	2	0606-0105-0712	91	2	0606-0107-0708	91	2	0606-0109-0704	91	2
0505.6403	192	6	0606/0103/1008	93	2	0606/0105/1004	93	2	0606/0107/0710	93	2	0606/0109/0706	93	2
0505.6403	214	7	0606-0103-1008	91	2	0606-0105-1004	91	2	0606-0107-0710	91	2	0606-0109-0706	91	2
0505.6403	247	8	0606/0103/1010	93	2	0606/0105/1006	93	2	0606/0107/0712	93	2	0606/0109/0708	93	2
0505.6801.150W	70	1	0606-0103-1010	91	2	0606-0105-1006	91	2	0606-0107-0712	91	2	0606-0109-0708	91	2
0505.6802.150W	70	1	0606/0103/1012	93	2	0606/0105/1008	93	2	0606/0107/1004	93	2	0606/0109/0710	93	2
0505.6803.1050	70	1	0606-0103-1012	91	2	0606-0105-1008	91	2	0606-0107-1004	91	2	0606-0109-0710	91	2
0505.6804.1050	71	1	0606/0104/0504	93	2	0606/0105/1010	93	2	0606/0107/1006	93	2	0606/0109/0712	93	2
0505.6806.1024	71	1	0606-0104-0504	91	2	0606-0105-1010	91	2	0606-0107-1006	91	2	0606-0109-0712	91	2
0505.6806.2448	71	1	0606/0104/0506	93	2	0606/0105/1012	93	2	0606/0107/1008	93	2	0606/0109/1004	93	2
0505-7801	163	5	0606-0104-0506	91	2	0606-0105-1012	91	2	0606-0107-1008	91	2	0606-0109-1004	91	2
0505-7802-0355	109	2	0606/0104/0508	93	2	0606/0106/0504	93	2	0606/0107/1010	93	2	0606/0109/1006	93	2
0505-7802-0355	62	1	0606-0104-0508	91	2	0606-0106-0504	91	2	0606-0107-1010	91	2	0606-0109-1006	91	2
0505-7803-0355	109	2	0606/0104/0510	93	2	0606/0106/0506	93	2	0606/0107/1012	93	2	0606/0109/1008	93	2
0505-7803-0355	62	1	0606-0104-0510	91	2	0606-0106-0506	91	2	0606-0107-1012	91	2	0606-0109-1008	91	2
0505-7803-0360	62	1	0606/0104/0512	93	2	0606/0106/0508	93	2	0606/0108/0504	93	2	0606/0109/1010	93	2
0505.8001	167	5	0606-0104-0512	91	2	0606-0106-0508	91	2	0606-0108-0504	91	2	0606-0109-1010	91	2
0505.8001	193	6	0606/0104/0704	93	2	0606/0106/0510	93	2	0606/0108/0506	93	2	0606/0109/1012	93	2
0505.8001	215	7	0606-0104-0704	91	2	0606-0106-0510	91	2	0606-0108-0506	91	2	0606-0109-1012	91	2
0505.8001	247	8	0606/0104/0706	93	2	0606/0106/0512	93	2	0606/0108/0508	93	2	0606/0112/0504	93	2
0505.8601	65	1	0606-0104-0706	91	2	0606-0106-0512	91	2	0606-0108-0508	91	2	0606-0112-0504	91	2
0505.8701.100	71	1	0606/0104/0708	93	2	0606/0106/0704	93	2	0606/0108/0510	93	2	0606/0112/0506	93	2
0505.8701.200	71	1	0606-0104-0708	91	2	0606-0106-0704	91	2	0606-0108-0510	91	2	0606-0112-0506	91	2
0505.8701.400	71	1	0606/0104/0710	93	2	0606/0106/0706	93	2	0606/0108/0512	93	2	0606/0112/0508	93	2
0505.8702.1000	71	1	0606-0104-0710	91	2	0606-0106-0706	91	2	0606-0108-0512	91	2	0606-0112-0508	91	2
0505.8702.1500	71	1	0606/0104/0712	93	2	0606/0106/0708	93	2	0606/0108/0704	93	2	0606/0112/0510	93	2
0505.8702.2000	71	1	0606-0104-0712	91	2	0606-0106-0708	91	2	0606-0108-0704	91	2	0606-0112-0510	91	2
0505.8702.500	71	1	0606/0104/1004	93	2	0606/0106/0710	93	2	0606/0108/0706	93	2	0606/0112/0512	93	2
0505.8801	72	1	0606-0104-1004	91	2	0606-0106-0710	91	2	0606-0108-0706	91	2	0606-0112-0512	91	2
			0606/0104/1006	93	2	0606/0106/0712	93	2	0606/0108/0708	93	2	0606/0112/0704	93	2
			0606-0104-1006	91	2	0606-0106-0712	91	2	0606-0108-0708	91	2	0606-0112-0704	91	2
			0606/0104/1008	93	2	0606/0106/1004	93	2	0606/0108/0710	93	2	0606/0112/0706	93	2
			0606-0104-1008	91	2	0606-0106-1004	91	2	0606-0108-0710	91	2	0606-0112-0706	91	2
			0606/0104/1010	93	2	0606/0106/1006	93	2	0606/0108/0712	93	2	0606/0112/0708	93	2
			0606-0104-1010	91	2	0606-0106-1006	91	2	0606-0108-0712	91	2	0606-0112-0708	91	2
			0606/0104/1012	93	2	0606/0106/1008	93	2	0606/0108/1004	93	2	0606/0112/0710	93	2
			0606-0104-1012	91	2	0606-0106-1008	91	2	0606-0108-1004	91	2	0606-0112-0710	91	2
			0606/0105/0504	93	2	0606/0106/1010	93	2	0606/0108/1006	93	2	0606/0112/0712	93	2
			0606-0105-0504	91	2	0606-0106-1010	91	2	0606-0108-1006	91	2	0606-0112-0712	91	2
			0606/0105/0506	93	2	0606/0106/1012	93	2	0606/0108/1008	93	2	0606/0112/1004	93	2
			0606-0105-0506	91	2	0606-0106-1012	91	2	0606-0108-1008	91	2	0606-0112-1004	91	2
			0606/0105/0508	93	2	0606/0106/1012	93	2	0606/0108/1010	93	2	0606/0112/1006	93	2
			0606-0105-0508	91	2	0606-0106-1012	91	2	0606/0108/1010	93	2	0606/0112/1006	93	2
			0606/0103/0510	93	2	0606-0105-0508	91	2	0606-0108-1010	91	2	0606-0112-1006	91	2
			0606-0103-0510	91	2	0606-0105-0508	91	2	0606-0108-1010	91	2	0606-0112-1006	91	2
			0606/0103/0512	93	2	0606-0105-0508	91	2	0606-0108-1010	91	2	0606-0112-1006	91	2
			0606-0103-0512	91	2	0606-0105-0508	91	2	0606-0108-1010	91	2	0606-0112-1006	91	2

Code	Pg	Chap.	Code	Pg	Chap.	Code	Pg	Chap.	Code	Pg	Chap.	Code	Pg	Chap.
0606/0112/1008	93	2	0606-0118-1004	91	2	0606.0204.1302	112	2	0606/0208/0708	95	2	0606/0218/0510	95	2
0606-0112-1008	91	2	0606/0118/1006	93	2	0606.0204.1402	112	2	0606/0208/0710	95	2	0606/0218/0512	95	2
0606/0112/1010	93	2	0606-0118-1006	91	2	0606.0204.1502	112	2	0606/0208/0712	95	2	0606/0218/0704	95	2
0606-0112-1010	91	2	0606/0118/1008	93	2	0606.0204.1802	112	2	0606/0208/1004	95	2	0606/0218/0706	95	2
0606/0112/1012	93	2	0606-0118-1008	91	2	0606/0205/0504	95	2	0606/0208/1006	95	2	0606/0218/0708	95	2
0606-0112-1012	91	2	0606/0118/1010	93	2	0606/0205/0506	95	2	0606/0208/1008	95	2	0606/0218/0710	95	2
0606/0115/0504	93	2	0606-0118-1010	91	2	0606/0205/0508	95	2	0606/0208/1010	95	2	0606/0218/0712	95	2
0606-0115-0504	91	2	0606/0118/1012	93	2	0606/0205/0510	95	2	0606/0208/1012	95	2	0606/0218/1004	95	2
0606/0115/0506	93	2	0606-0118-1012	91	2	0606/0205/0512	95	2	0606/0209/0504	95	2	0606/0218/1006	95	2
0606-0115-0506	91	2	0606/015/1004	93	2	0606/0205/0704	95	2	0606/0209/0506	95	2	0606/0218/1008	95	2
0606/0115/0508	93	2	0606.0201.0402	112	2	0606/0205/0706	95	2	0606/0209/0508	95	2	0606/0218/1010	95	2
0606-0115-0508	91	2	0606.0201.0602	112	2	0606/0205/0708	95	2	0606/0209/0510	95	2	0606/0218/1012	95	2
0606/0115/0510	93	2	0606.0201.0802	112	2	0606/0205/0710	95	2	0606/0209/0512	95	2	0606.0401.0504	96	2
0606-0115-0510	91	2	0606.0201.1002	112	2	0606/0205/0712	95	2	0606/0209/0704	95	2	0606.0401.0506	96	2
0606/0115/0512	93	2	0606.0201.1202	112	2	0606/0205/1004	95	2	0606/0209/0706	95	2			

PURCHASE CODES SUMMARY

LEGENDA CHAP: 1= Alurack 2=Compact rack 3=Simple rack 4=Lab rack 5=Subrack executive 6=Subrack Rail
 7=Subrack Rail Plus 8=Instrument 9=3 Units subunit 10=6 Units subunit 11=Front Panel

Code	Pg	Chap.	Code	Pg	Chap.	Code	Pg	Chap.	Code	Pg	Chap.	Code	Pg	Chap.
0606.0403.1012	97	2	0606.0503.1004	99	2	0606.0602.1205	100	2	0606.0701.1808	101	2	0606.0703.0310	103	2
0606.0405.0504	97	2	0606.0503.1006	99	2	0606.0602.1207	100	2	0606.0701.1810	101	2	0606.0703.0312	103	2
0606.0405.0506	97	2	0606.0503.1008	99	2	0606.0602.1210	100	2	0606.0701.1812	101	2	0606.0703.0404	103	2
0606.0405.0508	97	2	0606.0503.1010	99	2	0606.0602.1505	100	2	0606.0702.0304	102	2	0606.0703.0406	103	2
0606.0405.0510	97	2	0606.0503.1012	99	2	0606.0602.1507	100	2	0606.0702.0306	102	2	0606.0703.0408	103	2
0606.0405.0512	97	2	0606.0601.0305	100	2	0606.0602.1510	100	2	0606.0702.0308	102	2	0606.0703.0410	103	2
0606.0405.0704	97	2	0606.0601.0307	100	2	0606.0602.1805	100	2	0606.0702.0310	102	2	0606.0703.0412	103	2
0606.0405.0706	97	2	0606.0601.0310	100	2	0606.0602.1807	100	2	0606.0702.0312	102	2	0606.0703.0504	103	2
0606.0405.0708	97	2	0606.0601.0405	100	2	0606.0602.1810	100	2	0606.0702.0404	102	2	0606.0703.0506	103	2
0606.0405.0710	97	2	0606.0601.0407	100	2	0606.0701.0304	101	2	0606.0702.0406	102	2	0606.0703.0508	103	2
0606.0405.0712	97	2	0606.0601.0410	100	2	0606.0701.0306	101	2	0606.0702.0408	102	2	0606.0703.0510	103	2
0606.0405.1004	97	2	0606.0601.0505	100	2	0606.0701.0308	101	2	0606.0702.0410	102	2	0606.0703.0512	103	2
0606.0405.1006	97	2	0606.0601.0507	100	2	0606.0701.0310	101	2	0606.0702.0412	102	2	0606.0703.0604	103	2
0606.0405.1008	97	2	0606.0601.0510	100	2	0606.0701.0312	101	2	0606.0702.0504	102	2	0606.0703.0606	103	2
0606.0405.1010	97	2	0606.0601.0605	100	2	0606.0701.0404	101	2	0606.0702.0506	102	2	0606.0703.0608	103	2
0606.0405.1012	97	2	0606.0601.0607	100	2	0606.0701.0406	101	2	0606.0702.0508	102	2	0606.0703.0610	103	2
0606.0501.0504	98	2	0606.0601.0610	100	2	0606.0701.0408	101	2	0606.0702.0510	102	2	0606.0703.0612	103	2
0606.0501.0506	98	2	0606.0601.0705	100	2	0606.0701.0410	101	2	0606.0702.0512	102	2	0606.0703.0704	103	2
0606.0501.0508	98	2	0606.0601.0707	100	2	0606.0701.0412	101	2	0606.0702.0604	102	2	0606.0703.0706	103	2
0606.0501.0510	98	2	0606.0601.0710	100	2	0606.0701.0504	101	2	0606.0702.0606	102	2	0606.0703.0708	103	2
0606.0501.0512	98	2	0606.0601.0805	100	2	0606.0701.0506	101	2	0606.0702.0608	102	2	0606.0703.0710	103	2
0606.0501.0704	98	2	0606.0601.0807	100	2	0606.0701.0508	101	2	0606.0702.0610	102	2	0606.0703.0712	103	2
0606.0501.0706	98	2	0606.0601.0810	100	2	0606.0701.0510	101	2	0606.0702.0612	102	2	0606.0703.0804	103	2
0606.0501.0708	98	2	0606.0601.0905	100	2	0606.0701.0512	101	2	0606.0702.0704	102	2	0606.0703.0806	103	2
0606.0501.0710	98	2	0606.0601.0907	100	2	0606.0701.0604	101	2	0606.0702.0706	102	2	0606.0703.0808	103	2
0606.0501.0712	98	2	0606.0601.0910	100	2	0606.0701.0606	101	2	0606.0702.0708	102	2	0606.0703.0810	103	2
0606.0501.1004	98	2	0606.0601.1205	100	2	0606.0701.0608	101	2	0606.0702.0710	102	2	0606.0703.0812	103	2
0606.0501.1006	98	2	0606.0601.1207	100	2	0606.0701.0610	101	2	0606.0702.0712	102	2	0606.0703.0904	103	2
0606.0501.1008	98	2	0606.0601.1210	100	2	0606.0701.0612	101	2	0606.0702.0804	102	2	0606.0703.0906	103	2
0606.0501.1010	98	2	0606.0601.1505	100	2	0606.0701.0704	101	2	0606.0702.0806	102	2	0606.0703.0908	103	2
0606.0501.1012	98	2	0606.0601.1507	100	2	0606.0701.0706	101	2	0606.0702.0808	102	2	0606.0703.0910	103	2
0606.0502.0504	98	2	0606.0601.1510	100	2	0606.0701.0708	101	2	0606.0702.0810	102	2	0606.0703.0912	103	2
0606.0502.0506	98	2	0606.0601.1805	100	2	0606.0701.0710	101	2	0606.0702.0812	102	2	0606.0703.1204	103	2
0606.0502.0508	98	2	0606.0601.1807	100	2	0606.0701.0712	101	2	0606.0702.0904	102	2	0606.0703.1206	103	2
0606.0502.0510	98	2	0606.0601.1810	100	2	0606.0701.0804	101	2	0606.0702.0906	102	2	0606.0703.1208	103	2
0606.0502.0512	98	2	0606.0602.0305	100	2	0606.0701.0806	101	2	0606.0702.0908	102	2	0606.0703.1210	103	2
0606.0502.0704	98	2	0606.0602.0307	100	2	0606.0701.0808	101	2	0606.0702.0910	102	2	0606.0703.1212	103	2
0606.0502.0706	98	2	0606.0602.0310	100	2	0606.0701.0810	101	2	0606.0702.0912	102	2	0606.0703.1504	103	2
0606.0502.0708	98	2	0606.0602.0405	100	2	0606.0701.0812	101	2	0606.0702.1204	102	2	0606.0703.1506	103	2
0606.0502.0710	98	2	0606.0602.0407	100	2	0606.0701.0904	101	2	0606.0702.1206	102	2	0606.0703.1508	103	2
0606.0502.0712	98	2	0606.0602.0410	100	2	0606.0701.0906	101	2	0606.0702.1208	102	2	0606.0703.1510	103	2
0606.0502.1004	98	2	0606.0602.0505	100	2	0606.0701.0908	101	2	0606.0702.1210	102	2	0606.0703.1512	103	2
0606.0502.1006	98	2	0606.0602.0507	100	2	0606.0701.0910	101	2	0606.0702.1212	102	2	0606.0703.1804	103	2
0606.0502.1008	98	2	0606.0602.0510	100	2	0606.0701.0912	101	2	0606.0702.1504	102	2	0606.0703.1806	103	2
0606.0502.1010	98	2	0606.0602.0605	100	2	0606.0701.1204	101	2	0606.0702.1506	102	2	0606.0703.1808	103	2
0606.0502.1012	98	2	0606.0602.0607	100	2	0606.0701.1206	101	2	0606.0702.1508	102	2	0606.0703.1810	103	2
0606.0503.0504	99	2	0606.0602.0610	100	2	0606.0701.1208	101	2	0606.0702.1510	102	2	0606.0703.1812	103	2
0606.0503.0506	99	2	0606.0602.0705	100	2	0606.0701.1210	101	2	0606.0702.1804	102	2	0606.0801.0305	106	2
0606.0503.0508	99	2	0606.0602.0707	100	2	0606.0701.1212	101	2	0606.0702.1806	102	2	0606.0801.0307	106	2
0606.0503.0510	99	2	0606.0602.0710	100	2	0606.0701.1504	101	2	0606.0702.1808	102	2	0606.0801.0310	106	2
0606.0503.0512	99	2	0606.0602.0805	100	2	0606.0701.1506	101	2	0606.0702.1810	102	2	0606.0801.0405	106	2
0606.0503.0704	99	2	0606.0602.0807	100	2	0606.0701.1508	101	2	0606.0702.1812	102	2	0606.0801.0407	106	2
0606.0503.0706	99	2	0606.0602.0810	100	2	0606.0701.1510	101	2	0606.0703.0304	103	2	0606.0801.0410	106	2
0606.0503.0708	99	2	0606.0602.0905	100	2	0606.0701.1512	101	2	0606.0703.0306	103	2	0606.0801.0505	106	2
0606.0503.0710	99	2	0606.0602.0907	100	2	0606.0701.1804	101	2	0606.0703.0308	103	2	0606.0801.0507	106	2
0606.0503.0712	99	2	0606.0602.0910	100	2	0606.0701.1806	101	2				0606.0801.0510	106	2

Code	Pg	Chap.	Code	Pg	Chap.	Code	Pg	Chap.	Code	Pg	Chap.	Code	Pg	Chap.
0606.0801.0605	106	2	0606-1301-0515	107	2	0707.0102.6060	122	3	0707.0104.6040	123	3	0707-0202-6020	121	3
0606.0801.0607	106	2	0606-1301-0518	107	2	0707-0102-6060	120	3	0707-0104-6040	120	3	0707-0202-6030	121	3
0606.0801.0610	106	2	0606-1301-0703	107	2	0707.0102.8420	122	3	0707.0104.6050	123	3	0707-0202-6040	121	3
0606.0801.0705	106	2	0606-1301-0704	107	2	0707-0102-8420	120	3	0707-0104-6050	120	3	0707-0202-6050	121	3
0606.0801.0707	106	2	0606-1301-0705	107	2	0707.0102.8430	122	3	0707.0104.6060	123	3	0707-0202-6060	121	3
0606.0801.0710	106	2	0606-1301-0706	107	2	0707-0102-8430	120	3	0707-0104-6060	120	3	0707-0202-8420	121	3
0606.0801.0805	106	2	0606-1301-0707	107	2	0707.0102.8440	122	3	0707.0104.8420	123	3	0707-0202-8430	121	3
0606.0801.0807	106	2	0606-1301-0708	107	2	0707-0102-8440	120	3	0707-0104-8420	120	3	0707-0202-8440	121	3
0606.0801.0810	106	2	0606-1301-0709	107	2	0707.0102.8450	122	3	0707.0104.8430	123	3	0707-0202-8450	121	3
0606.0801.0905	106	2	0606-1301-0712	107	2	0707-0102-8450	120	3	0707-0104-8430	120	3	0707-0202-8460	121	3
0606.0801.0907	106	2	0606-1301-0715	107	2	0707.0102.8460	122	3	0707.0104.8440	123	3	0707-0203-4220	121	3
0606.0801.0910	106	2	0606-1301-0718	107	2	0707-0102-8460	120	3	0707-0104-8440	120	3	0707-0203-4230	121	3
0606.0801.1205	106	2	0606-1301-1003	107	2	0707.0103.4220	123	3	0707.0104.8450	123	3	0707-0203-4240	121	3
0606.0801.1207	106	2	0606-1301-1004	107	2	0707-0103-4220	120	3	0707-0104-8450	120	3	0707-0203-4250	121	3
0606.0801.1210	106	2	0606-1301-100											

PURCHASE CODES SUMMARY

LEGENDA CHAP: 1= Alurack 2=Compact rack 3=Simple rack 4=Lab rack 5=Subrack executive 6=Subrack Rail
7=Subrack Rail Plus 8=Instrument 9=3 Units subunit 10=6 Units subunit 11=Front Panel

Code	Pg	Chap.	Code	Pg	Chap.	Code	Pg	Chap.	Code	Pg	Chap.	Code	Pg	Chap.
0707-0206-4230	121	3	0707.0401.0440	124	3	0909-0104-6030	223	8	0909-0202-6037	225	8	0909-0205-4240	225	8
0707-0206-4240	121	3	0707.0401.0450	124	3	0909-0104-6037	223	8	0909-0202-6040	225	8	0909-0205-6020	225	8
0707-0206-4250	121	3	0707.0401.0460	124	3	0909-0104-6040	223	8	0909-0202-8420	225	8	0909-0205-6024	225	8
0707-0206-4260	121	3	0707.0401.0520	124	3	0909-0104-8420	223	8	0909-0202-8424	225	8	0909-0205-6030	225	8
0707-0206-6020	121	3	0707.0401.0530	124	3	0909-0104-8424	223	8	0909-0202-8430	225	8	0909-0205-6037	225	8
0707-0206-6030	121	3	0707.0401.0540	124	3	0909-0104-8430	223	8	0909-0202-8437	225	8	0909-0205-6040	225	8
0707-0206-6040	121	3	0707.0401.0550	124	3	0909-0104-8437	223	8	0909-0202-8440	225	8	0909-0205-8420	225	8
0707-0206-6050	121	3	0707.0401.0560	124	3	0909-0104-8440	223	8	0909.0203.20	230	8	0909-0205-8424	225	8
0707-0206-6060	121	3	0707.0401.0620	124	3	0909-0105-4220	223	8	0909.0203.24	230	8	0909-0205-8430	225	8
0707-0206-8420	121	3	0707.0401.0630	124	3	0909-0105-4224	223	8	0909.0203.30	230	8	0909-0205-8437	225	8
0707-0206-8430	121	3	0707.0401.0640	124	3	0909-0105-4230	223	8	0909.0203.37	230	8	0909-0205-8440	225	8
0707-0206-8440	121	3	0707.0401.0650	124	3	0909-0105-4237	223	8	0909.0203.40	230	8	0909-0206-4220	225	8
0707-0206-8450	121	3	0707.0401.0660	124	3	0909-0105-4240	223	8	0909-0203-4220	225	8	0909-0206-4224	225	8
0707-0206-8460	121	3	0909			0909-0105-6020	223	8	0909-0203-4224	225	8	0909-0206-4230	225	8
0707.0301.2042	125	3	0909.0101.20	232	8	0909-0105-6024	223	8	0909-0203-4230	225	8	0909-0206-4237	225	8
0707.0301.2060	125	3	0909.0101.24	232	8	0909-0105-6030	223	8	0909-0203-4237	225	8	0909-0206-4240	225	8
0707.0301.2084	125	3	0909.0101.30	232	8	0909-0105-6037	223	8	0909-0203-4240	225	8	0909-0206-6020	225	8
0707.0301.3042	125	3	0909.0101.37	232	8	0909-0105-6040	223	8	0909-0203-6020	225	8	0909-0206-6024	225	8
0707.0301.3060	125	3	0909.0101.40	232	8	0909-0105-8420	223	8	0909-0203-6024	225	8	0909-0206-6030	225	8
0707.0301.3084	125	3	0909-0102-4220	223	8	0909-0105-8424	223	8	0909-0203-6030	225	8	0909-0206-6037	225	8
0707.0301.4042	125	3	0909-0102-4224	223	8	0909-0105-8430	223	8	0909-0203-6037	225	8	0909-0206-6040	225	8
0707.0301.4060	125	3	0909-0102-4230	223	8	0909-0105-8437	223	8	0909-0203-6040	225	8	0909-0206-8420	225	8
0707.0301.4084	125	3	0909-0102-4237	223	8	0909-0105-8440	223	8	0909-0203-8420	225	8	0909-0206-8424	225	8
0707.0301.5042	125	3	0909-0102-4240	223	8	0909-0106-4220	223	8	0909-0203-8424	225	8	0909-0206-8430	225	8
0707.0301.5060	125	3	0909-0102-6020	223	8	0909-0106-4224	223	8	0909-0203-8430	225	8	0909-0206-8437	225	8
0707.0301.5084	125	3	0909-0102-6024	223	8	0909-0106-4230	223	8	0909-0203-8437	225	8	0909-0206-8440	225	8
0707.0301.6042	125	3	0909-0102-6030	223	8	0909-0106-4237	223	8	0909-0204.20	230	8	0909-0302-4224	227	8
0707.0301.6060	125	3	0909-0102-6037	223	8	0909-0106-4240	223	8	0909.0204.24	230	8	0909-0302-4230	227	8
0707.0301.6084	125	3	0909-0102-6040	223	8	0909-0106-6020	223	8	0909.0204.30	230	8	0909-0302-4237	227	8
0707.0302.2042	125	3	0909-0102-8420	223	8	0909-0106-6024	223	8	0909.0204.37	230	8	0909-0302-4240	227	8
0707.0302.2060	125	3	0909-0102-8424	223	8	0909-0106-6030	223	8	0909.0204.40	230	8	0909-0302-6020	227	8
0707.0302.2084	125	3	0909-0102-8430	223	8	0909-0106-6037	223	8	0909-0204-4220	225	8	0909-0302-6024	227	8
0707.0302.3042	125	3	0909-0102-8437	223	8	0909-0106-6040	223	8	0909-0204-4224	225	8	0909-0302-6030	227	8
0707.0302.3060	125	3	0909-0102-8440	223	8	0909-0106-8420	223	8	0909-0204-4230	225	8	0909-0302-6037	227	8
0707.0302.3084	125	3	0909-0103-4220	223	8	0909-0106-8424	223	8	0909-0204-4237	225	8	0909-0302-6040	227	8
0707.0302.4042	125	3	0909-0103-4224	223	8	0909-0106-8430	223	8	0909-0204-4240	225	8	0909-0302-8420	227	8
0707.0302.4060	125	3	0909-0103-4230	223	8	0909-0106-8437	223	8	0909-0204-6020	225	8	0909-0302-8424	227	8
0707.0302.4084	125	3	0909-0103-4237	223	8	0909-0106-8440	223	8	0909-0204-6024	225	8	0909-0302-8430	227	8
0707.0302.5042	125	3	0909-0103-4240	223	8	0909.0201.20	230	8	0909-0204-6030	225	8	0909-0302-8437	227	8
0707.0302.5060	125	3	0909-0103-6020	223	8	0909.0201.24	230	8	0909-0204-6037	225	8	0909-0302-8440	227	8
0707.0302.5084	125	3	0909-0103-6024	223	8	0909.0201.30	230	8	0909-0204-6040	225	8	0909-0303-4220	227	8
0707.0302.6042	125	3	0909-0103-6030	223	8	0909.0201.37	230	8	0909-0204-8420	225	8	0909-0303-4224	227	8
0707.0302.6060	125	3	0909-0103-6037	223	8	0909.0201.40	230	8	0909-0204-8424	225	8	0909-0303-4230	227	8
0707.0302.6084	125	3	0909-0103-6040	223	8	0909.0202.20	230	8	0909-0204-8430	225	8	0909-0303-4237	227	8
0707.0401.0220	124	3	0909-0103-8420	223	8	0909.0202.24	230	8	0909-0204-8437	225	8	0909-0303-4240	227	8
0707.0401.0230	124	3	0909-0103-8424	223	8	0909.0202.30	230	8	0909-0204-8440	225	8	0909-0303-6020	227	8
0707.0401.0240	124	3	0909-0103-8430	223	8	0909.0202.37	230	8	0909-0205.20	230	8	0909-0303-6024	227	8
0707.0401.0250	124	3	0909-0103-8437	223	8	0909.0202.40	230	8	0909.0205.24	230	8	0909-0303-6030	227	8
0707.0401.0260	124	3	0909-0103-8440	223	8	0909-0202-4220	225	8	0909.0205.30	230	8	0909-0303-6037	227	8
0707.0401.0320	124	3	0909-0104-4220	223	8	0909-0202-4224	225	8	0909.0205.37	230	8	0909-0303-6040	227	8
0707.0401.0330	124	3	0909-0104-4224	223	8	0909-0202-4230	225	8	0909.0205.40	230	8	0909-0303-8420	227	8
0707.0401.0340	124	3	0909-0104-4230	223	8	0909-0202-4237	225	8	0909-0205-4220	225	8	0909-0303-8424	227	8
0707.0401.0350	124	3	0909-0104-4237	223	8	0909-0202-4240	225	8	0909-0205-4224	225	8	0909-0303-8430	227	8
0707.0401.0360	124	3	0909-0104-4240	223	8	0909-0202-6020	225	8	0909-0205-4230	225	8	0909-0303-8437	227	8
0707.0401.0420	124	3	0909-0104-6020	223	8	0909-0202-6024	225	8	0909-0205-4237	225	8	0909-0303-8440	227	8
0707.0401.0430	124	3	0909-0104-6024	223	8	0909-0202-6030	225	8						

Code	Pg	Chap.	Code	Pg	Chap.	Code	Pg	Chap.	Code	Pg	Chap.	Code	Pg	Chap.
0909-0304-4220	227	8	0909.0401.0355	236	8	0909-0404-4230	229	8	0909.0501.0660	234	8	0909.0703.6040	240	8
0909-0304-4224	227	8	0909.0401.0370	236	8	0909-0404-4237	229	8	0909.0501.0684	234	8	0909.0703.8420	240	8
0909-0304-4230	227	8	0909.0401.0375	236	8	0909-0404-4240	229	8	0909.0502.0242	234	8	0909.0703.8424	240	8
0909-0304-4237	227	8	0909.0401.0407	236	8	0909-0404-6020	229	8	0909.0502.0260	234	8	0909.0703.8430	240	8
0909-0304-4240	227	8	0909.0401.0415	236	8	0909-0404-6024	229	8	0909.0502.0284	234	8	0909.0703.8437	240	8
0909-0304-6020	227	8	0909.0401.0435	236	8	0909-0404-6030	229	8	0909.0502.0342	234	8	0909.0703.8440	240	8
0909-0304-6024	227	8	0909.0401.0445	236	8	0909-0404-6037	229	8	0909.0502.0360	234	8	0909.0704.4220	241	8
0909-0304-6030	227	8	0909.0401.0455	236	8	0909-0404-6040	229	8	0909.0502.0384	234	8	0909.0704.4224	241	8
0909-0304-6037	227	8	0909.0401.0470	236	8	0909-0404-8420	229	8	0909.0502.0442	234	8	0909.0704.4230	241	8
0909-0304-6040	227	8	0909.0401.0475	236	8	0909-0404-8424	229	8	0909.0502.0460	234	8	0909.0704.4237	241	8
0909-0304-8420	227	8	0909.0401.0507	236	8	0909-0404-8430	229	8	0909.0502.0484	234	8	0909.0704.4240	241	8
0909-0304-8424	227	8	0909.0401.0515	236	8	0909-0404-8437	229	8	0909.0502.0542	234	8	0909.0704.6020	241	8
0909-0304-8430	227	8	0909.0401.0535	236	8	0909-0404-8440	229	8	0909.0502.0560	234	8	0909.0704.6024	241	8
0909-0304-8437	227	8	0909.0401.0545	236	8	0909-0405-4220	229	8	0909.0502.0584	234	8	0909.0704.6030	241	8
0909-0304-8440	227	8	0909.0401.0555	236	8	0909-0405-4224	229	8	0909.0502.0642	234	8	0909.0704.6037</		

PURCHASE CODES SUMMARY

PURCHASE CODES SUMMARY FROM 0909-0403-8424 TO 1010-0202-0646

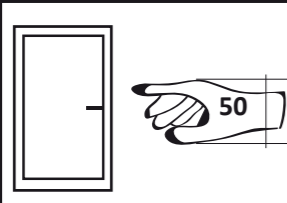

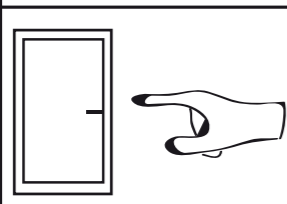

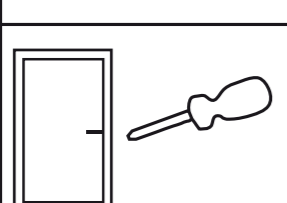
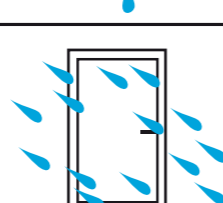
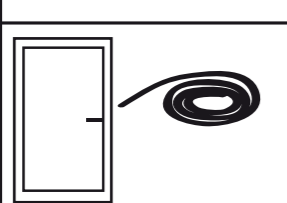
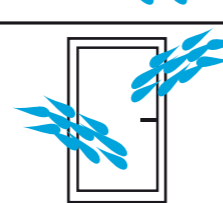




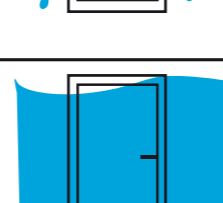
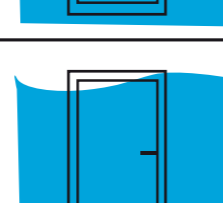
Code	Pg	Chap.	Code	Pg	Chap.	Code	Pg	Chap.	Code	Pg	Chap.	Code	Pg	Chap.
0909.0802.0420	239	8	1000.0107.2512	261	9	1000.2100.03	211	7	1010-0201-0546	73	1	1010.0901.46	74	1
0909.0802.0424	239	8	1000.0107.2512	271	10	1000.2100.03	243	8	1010-0201-0626	73	1	1010.0902.26	74	1
0909.0802.0430	239	8	1000.0107.2512	349	11	1000.2100.25	163	5	1010-0201-0636	73	1	1010.0902.36	74	1
0909.0802.0437	239	8	1000.0108.2512	261	9	1000.2100.25	189	6	1010-0201-0646	73	1	1010.0902.46	74	1
0909.0802.0440	239	8	1000.0108.2512	271	10	1000.2100.25	211	7	1010-0202-0226	73	1	1010.1001.26	74	1
0909.0802.0520	239	8	1000.0108.2512	349	11	1000.2100.25	243	8	1010-0202-0236	73	1	1010.1001.36	74	1
0909.0802.0524	239	8	1000.0109.2512	261	9	1000.2102.0308	155	5	1010-0202-0246	73	1	1010.1001.46	74	1
0909.0802.0530	239	8	1000.0109.2512	271	10	1000.2102.0308	183	6	1010-0202-0326	73	1	1010.1002.26	74	1
0909.0802.0537	239	8	1000.0109.2513	349	11	1000.2102.0308	205	7	1010-0202-0336	73	1	1010.1002.36	74	1
0909.0802.0540	239	8	1000.0116.2514	261	9	1000.2102.0308	243	8	1010-0202-0346	73	1	1010.1002.46	74	1
0909.0802.0620	239	8	1000.0116.2514	271	10	1000.2102.2508	155	5	1010-0202-0426	73	1			
0909.0802.0624	239	8	1000.0116.2514	349	11	1000.2102.2508	183	6	1010-0202-0436	73	1			
0909.0802.0630	239	8	1000.0117.2512	261	9	1000.2102.2508	205	7	1010-0202-0446	73	1			
0909.0802.0637	239	8	1000.0117.2512	271	10	1000.2102.2508	243	8	1010-0202-0526	73	1			
0909.0802.0640	239	8	1000.0117.2512	349	11				1010-0202-0536	73	1			
0909.0901.02	235	8	1000.0118.0406	127	3	1010			1010-0202-0546	73	1			
0909.0901.03	235	8	1000.0118.2512	167	5	1010-0101-0226	73	1	1010-0202-0626	73	1			
0909.0901.04	235	8	1000.0118.2512	193	6	1010-0101-0236	73	1	1010-0202-0636	73	1			
0909.0901.05	235	8	1000.0118.2512	215	7	1010-0101-0246	73	1	1010-0202-0646	73	1			
0909.0901.06	235	8	1000.0118.2512	247	8	1010-0101-0326	73	1	1010.0701.0226	75	1			
0909.0902.02	235	8	1000.0120.2512	261	9	1010-0101-0336	73	1	1010.0701.0236	75	1			
0909.0902.03	235	8	1000.0120.2512	271	10	1010-0101-0346	73	1	1010.0701.0246	75	1			
0909.0902.04	235	8	1000.0120.2512	349	11	1010-0101-0426	73	1	1010.0701.0326	75	1			
0909.0902.05	235	8	1000.0128.0516	243	8	1010-0101-0436	73	1	1010.0701.0336	75	1			
0909.0902.06	235	8	1000.0201.0412	189	6	1010-0101-0446	73	1	1010.0701.0346	75	1			
0909.1001.02	237	8	1000.0302.25	348	11	1010-0101-0526	73	1	1010.0701.0426	75	1			
0909.1001.03	237	8	1000.0401.25	348	11	1010-0101-0536	73	1	1010.0701.0436	75	1			
0909.1001.04	237	8	1000.0403.04	110	2	1010-0101-0546	73	1	1010.0701.0446	75	1			
0909.1001.05	237	8	1000.0403.04	127	3	1010-0101-0626	73	1	1010.0701.0446	75	1			
0909.1001.06	237	8	1000.0403.04	137	4	1010-0101-0636	73	1	1010.0701.0526	75	1			
0909.1002.02	237	8	1000.0403.04	72	1	1010-0101-0646	73	1	1010.0701.0536	75	1			
0909.1002.03	237	8	1000.0403.0402	110	2	1010-0102-0226	73	1	1010.0701.0546	75	1			
0909.1002.04	237	8	1000.0403.0402	127	3	1010-0102-0236	73	1	1010.0701.0626	75	1			
0909.1002.05	237	8	1000.0403.0402	137	4	1010-0102-0246	73	1	1010.0701.0636	75	1			
0909.1002.06	237	8	1000.0403.0402	72	1	1010-0102-0326	73	1	1010.0701.0646	75	1			
0909.1101.0242	235	8	1000.0403.05	110	2	1010-0102-0336	73	1	1010.0702.0226	75	1			
0909.1101.0260	235	8	1000.0403.05	127	3	1010-0102-0346	73	1	1010.0702.0236	75	1			
0909.1101.0284	235	8	1000.0403.05	137	4	1010-0102-0426	73	1	1010.0702.0246	75	1			
0909.1101.0342	235	8	1000.0403.05	72	1	1010-0102-0436	73	1	1010.0702.0326	75	1			
0909.1101.0360	235	8	1000.0403.06	110	2	1010-0102-0446	73	1	1010.0702.0336	75	1			
0909.1101.0384	235	8	1000.0403.06	127	3	1010-0102-0526	73	1	1010.0702.0346	75	1			
0909.1101.0442	235	8	1000.0403.06	137	4	1010-0102-0536	73	1	1010.0702.0426	75	1			
0909.1101.0460	235	8	1000.0403.06	72	1	1010-0102-0546	73	1	1010.0702.0436	75	1			
0909.1101.0484	235	8	1000-1000-06	109	2	1010-0102-0626	73	1	1010.0702.0446	75	1			
0909.1101.0542	235	8	1000-1000-06	137	4	1010-0102-0636	73	1	1010.0702.0526	75	1			
0909.1101.0560	235	8	1000-1000-06	65	1	1010-0102-0646	73	1	1010.0702.0536	75	1			
0909.1101.0584	235	8	1000.1002	348	11	1010-0201-0226	73	1	1010.0702.0546	75	1			
0909.1101.0642	235	8	1000.1003	348	11	1010-0201-0236	73	1	1010.0702.0626	75	1			
0909.1101.0660	235	8	1000.1104.2512	167	5	1010-0201-0246	73	1	1010.0702.0636	75	1			
0909.1101.0684	235	8	1000.1104.2512	193	6	1010-0201-0326	73	1	1010.0702.0646	75	1			
			1000.1104.2512	215	7	1010-0201-0336	73	1	1010.0801.02	76	1			
			1000.1104.2512	247	8	1010-0201-0346	73	1	1010.0801.03	76	1			
			1000.1112.0412	211	7	1010-0201-0426	73	1	1010.0801.04	76	1			
			1000.1120.0412	211	7	1010-0201-0436	73	1	1010.0801.05	76	1			
			1000.2100.03	163	5	1010-0201-0446	73	1	1010.0801.06	76	1			
			1000.2100.03	189	6	1010-0201-0526	73	1	1010.0901.26	74	1			
						1010-0201-0536	73	1	1010.0901.36	74	1			

1000		
1000.0101.0512	163	5
1000.0101.1030	137	4
1000.0101.1030	79	1
1000.0103.0530	113	2

IP

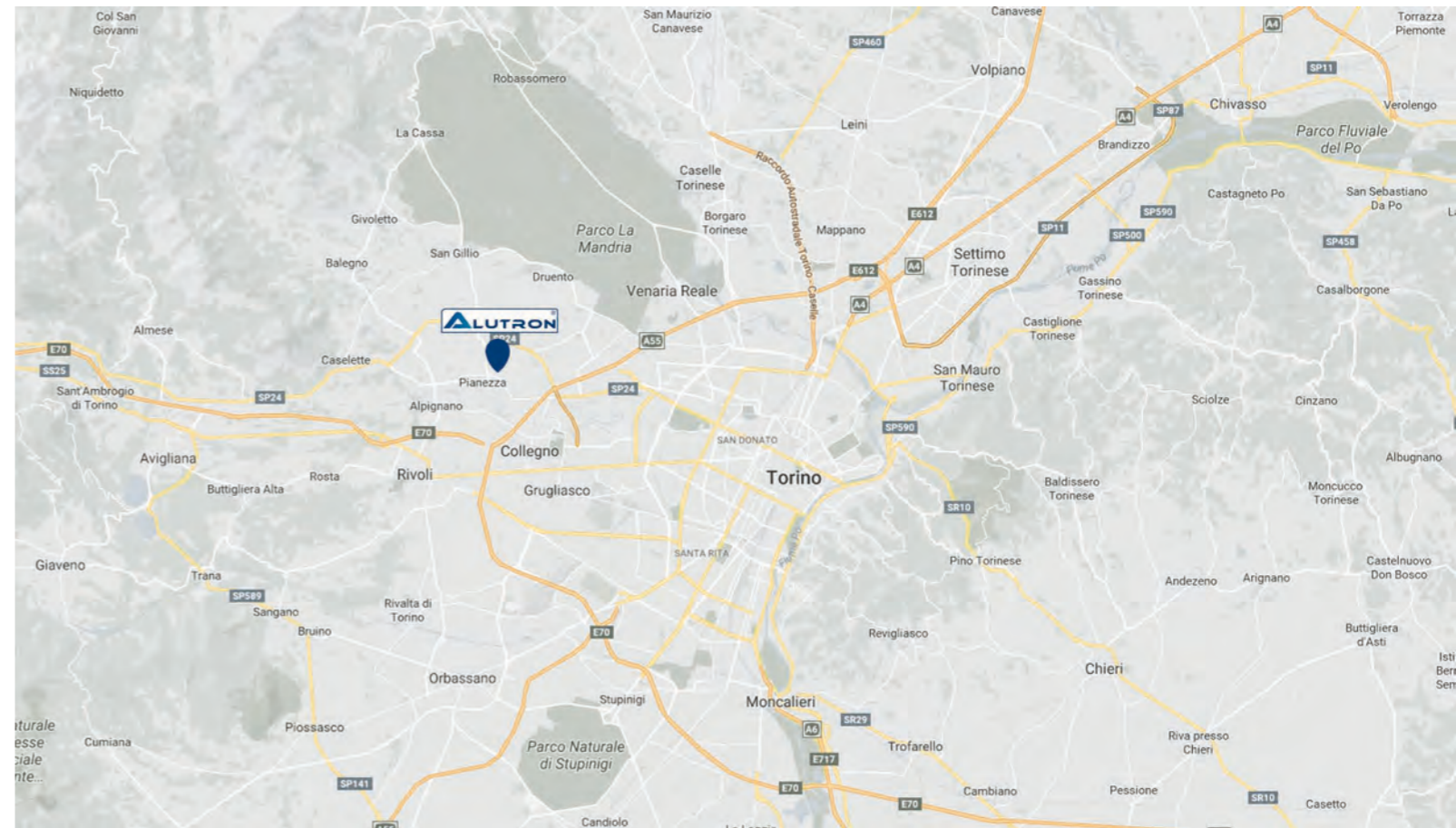
Solids

Water

1	 Protected against solid objects over 50mm diameter	1	 Protected against vertically falling drops of water or condensation
2	 Protected against solid objects over 12.5mm diameter	2	 Protected against falling drops of water, if the case is disposed up to 15° from vertical
3	 Protected against solid objects over 2.5mm diameter	3	 Protected against sprays of water from any direction, even if the case is disposed up to 60° from vertical
4	 Protected against solid objects over 1mm diameter	4	 Protected against splash water from any direction
5	 Limited protection against dust ingress. (no harmful deposit)	5	 Protected against low pressure water jets from any direction. Limited ingress permitted
6	 Totally protected against dust ingress	6	 Protected against high pressure water jets from any direction. Limited ingress permitted
		7	 Protected against short periods of immersion in water
		8	 Protected against long, durable periods of immersion in water

IP 6 5

ADDRESS



Via dei Prati ,32
 10044 Pianezza, Torino , Italy
 Tel: (0039) 011.967.7353
 Fax: (0039) 011.967.7353
 P.IVA: 02233520994
alutron@alutron.it
www.alutron.it



OUR VIDEO HERE!



FILIERES INDUSTRIELLES CONCERNEES



Alutron
Via dei Prati ,32
10044 Pianezza, Torino , Italy
Tel: (0039) 011.967.7353
Fax: (0039) 011.967.7353
P.IVA: 02233520994
alutron@alutron.it
www.alutron.it

